

**Quad-Guard**  
 Installation Instructions  
**32663**  
 Dodge Ram 2500/3500 '06 & '09



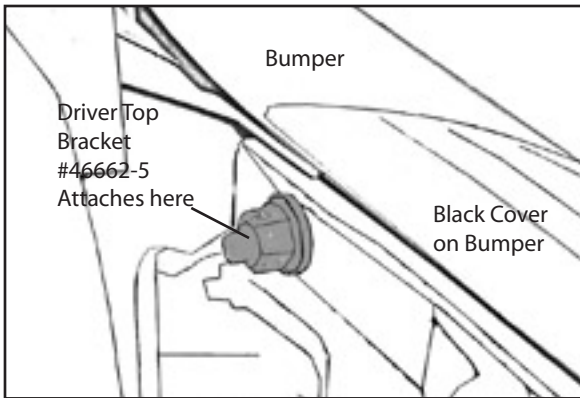
**Diagram 1**

**Parts List:**

1 - Quad Grille Guard	8 - 1/2" x 1 1/4" Hex Head Bolts
1 - Driver Top Bracket #46662-5	8 - 1/2" Hex Nuts
1 - Passenger Top Bracket #46662-6	8 - 1/2" Flat Washers
1 - Driver Bottom Bracket #46662-7	8 - 1/2" Lock Washers
1 - Passenger Bottom Bracket #46662-8	

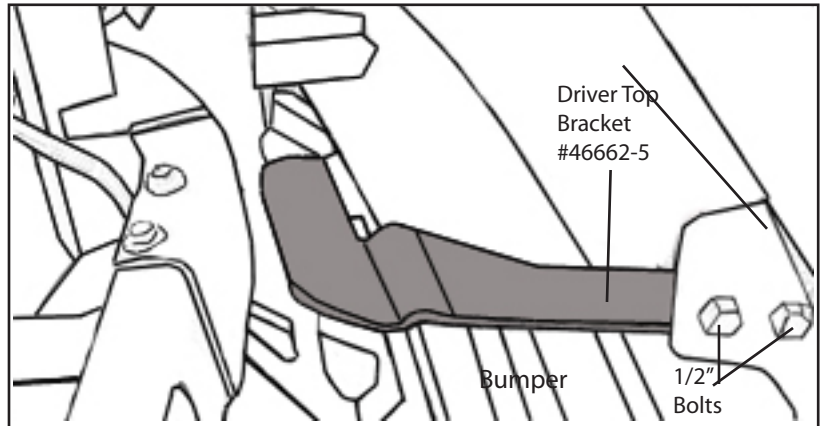
1. Remove the contents from the box and check for missing pieces or damage. If parts are missing or damaged, contact the original place of purchase. Read the instructions completely before beginning. Two people are strongly recommended for this install.

**View Behind Bumper (Driver Side)**



**Diagram 2**

**Driver Side Top Bracket #46662-5**



**Diagram 3**

2. **Install the Driver Top Bracket #46662-5 and Passenger Top Bracket #46662-6:** Open the hood on the truck. Using **Diagram 2**, locate the bumper bolt on each side of the vehicle. Remove the nut from the bolt.

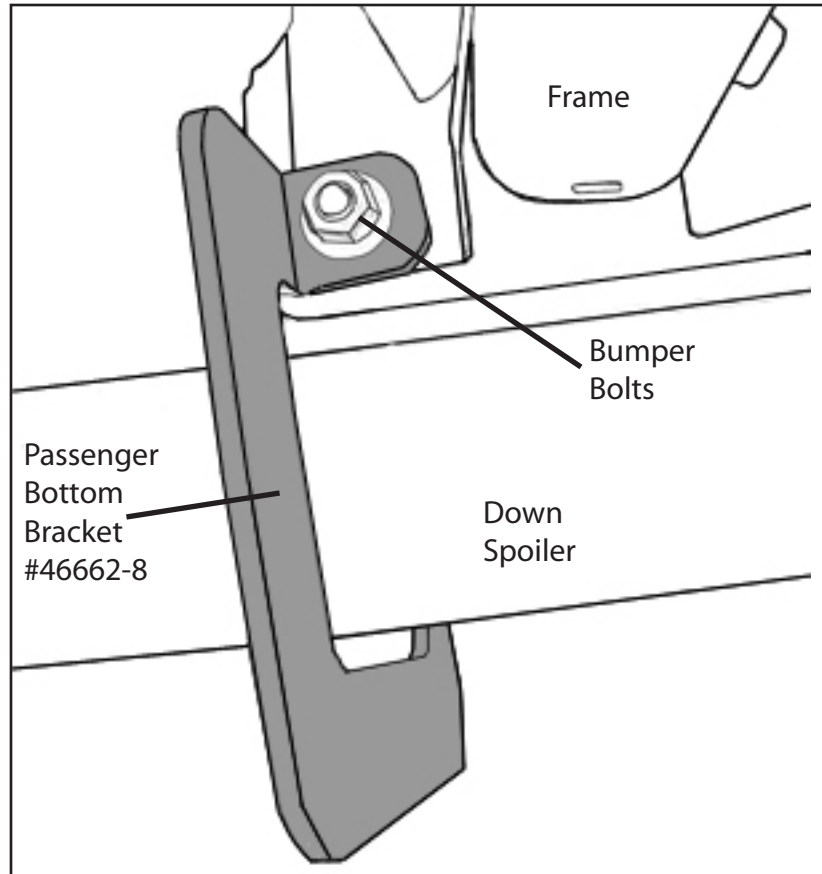
A. Place Driver Top Bracket #46662-5 onto bumper bolt. The end of the Driver Top Bracket #46662-5 (**Diagram 3**) with the 90 degree bend will go onto bumper bolt. Replace nut and hand tighten at this time.

B. Repeat step "A" above for the passenger side using Top Bracket #46662-6.

3. **Attach the Quad Guard to the driver top bracket #46662-5 and passenger top bracket #46662-6:** Using two people align the bolt holes in the vertical uprights to the top brackets. Attach the Quad Guard to the top brackets using (1) 1/2" x 1/14" hex head bolts, (2) 1/2" flat washers, (1) 1/2" lock washers and (1) 1/2" hex nuts per welded tab. See **Diagram 3**. Hand tighten all bolts at this time.

420 N. Grove, Richardson, TX 75081  
Tele: (800) 527 - 4345 Fax: (800) 442 - 5263  
Web site: www.goindustries.com  
E-mail: sales@goindustries.com

### Behind Bumper View of Passenger Bottom Bracket #46662-8



**Diagram 4**

4. **Install the passenger bottom bracket #46662-8:** Using **Diagram 4**, locate the factory bottom bumper bolt on the vehicle. Remove the factory nut from the factory bottom bumper bolt. Place bottom bracket #46662-8 onto the factory bottom bumper bolt. Re-place the factory nut over the bottom bracket. Use (1) 1/2" x 1 1/4" hex head bolt, (1) 1/2" flat washer and (1) 1/2" lock washer to attach the bottom bracket #46662-8 to the bottom 2 bolt holes on the Quad Guard. Repeat the procedure for the driver bottom bracket #46662-7.

5. **Center the Grille Guard on the vehicle.** Tighten all bolts at this time insuring Quad Guard remains centered on vehicle.