

Winch Carrier
 Installation Instructions
33601



Diagram 1

- Parts List:**
- 1 - Winch Carrier
 - 2 - License Plate Brackets
 - 4 - 1/4" Hex Locking Nuts
 - 4 - 1/4" x 3/4" HH Bolts
 - 8 - 1/2" Lock Washers
 - 8 - 1/2" Hex Nuts
 - 16 - 1/2" x 1" Carriage Bolts

1. Remove the contents from the box and check for missing pieces or damage. If parts are missing or damaged, contact the original place of purchase. Read the instructions completely before beginning. Two people are strongly recommended for this install.

2. Installation of Winch Carrier: Using **Diagram 2** install the winch carrier between the uprights on grille guard. Use (6) 1/2" x 1" carriage bolts to install the winch carrier. Place (1) 1/2" lock washer and (1) 1/2" nut onto carriage bolt. Hand tighten at this time. After Grille Guard has been tightened then tighten all carriage bolts.

3. If a front license plate is required in your state, attach the license plate brackets to the bottom of the winch carrier with the (2) 1/4 x 3/4" HH bolts, (2) 1/4" hex locking nuts as shown in **Diagram 3**.

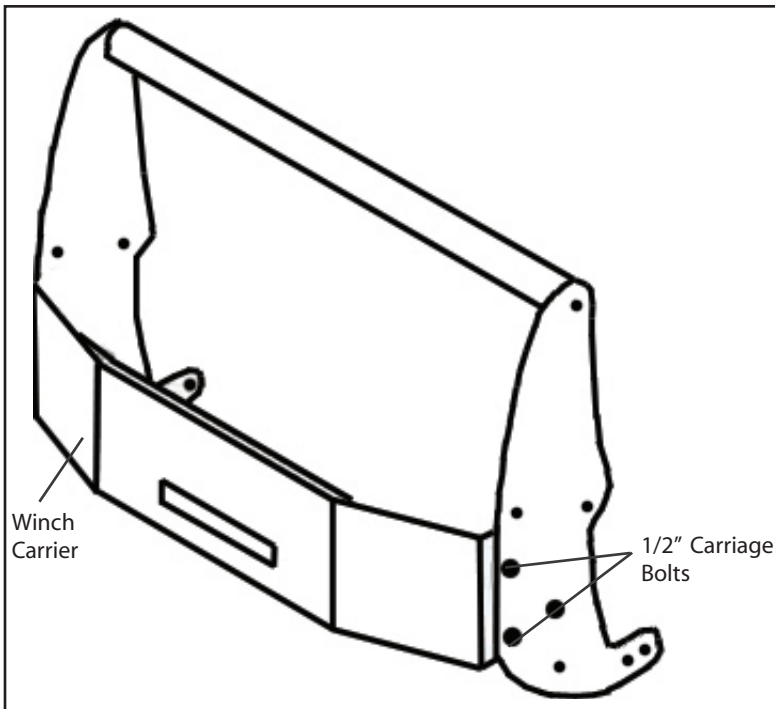


Diagram 2

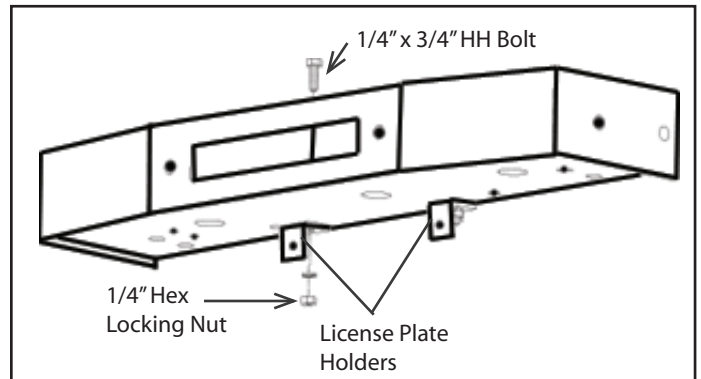


Diagram 3