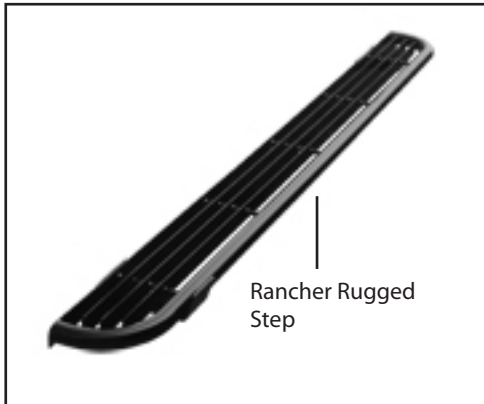


## Rancher Rugged Step Installation Instructions

### 42362

Dodge Ram 1500/2500/3500  
Mega Cab '06 - '08

### NOTE: Rancher Rugged Steps ships in two boxes



**Diagram 1**

#### Parts List:

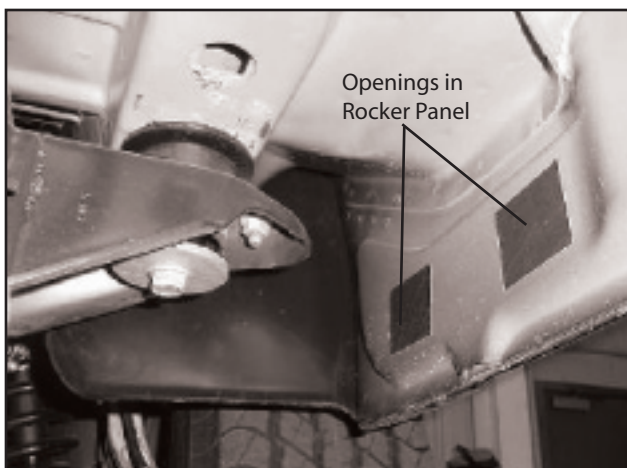
1 - Driver Front Brace #42360-9	2 - Non-Skid Tape 16"
1 - Passenger Front Brace #42360-10	2 - Non-Skid Tape 20"
1 - Bracket #42360-13	2 - 1/2" x 1 1/4" HH Bolts
1 - Bracket #42360-15	2 - Large Washers
1 - Brackets #42360-17	4 - 1/2" x 1 1/4" HH Bolts
2 - Rancher Rugged Step	8 - 1/2" T - Bolts
2 - Front Bracket #42360-5	8 - 3/8" T-Bolts
2 - Rear Brackets #42362-7	8 - 3/8" Flat Washers
2 - Rear Brace #42360-11	8 - 3/8" Hex Nuts
2 - M12 x 120mm HH Bolts	16 - 1/2" Lock Washers
2 - 1/2" x 4" HH Bolts	16 - 1/2" Hex Nuts
2 - Mud Scraper	24 - 1/2" Flat Washers

1. Remove the contents from the box and check for missing pieces or damage. If parts are missing or damaged, contact the original place of purchase. Read the instructions completely before beginning.

2. Locate the tape or rubber plugs covering the openings in the rocker panel, see **Diagram 2**. Place (1) 3/8" T-bolt with (1) plastic washer into the holes in the rocker panel. The plastic washer will keep the T-bolt from falling into the rocker panel. Place the bracket onto the T-bolts. Place (1) 3/8" flat washer, (1) 3/8" hex nut onto the T-bolts. Hand tighten bolt to hold bracket in place, repeat procedure for all brackets.

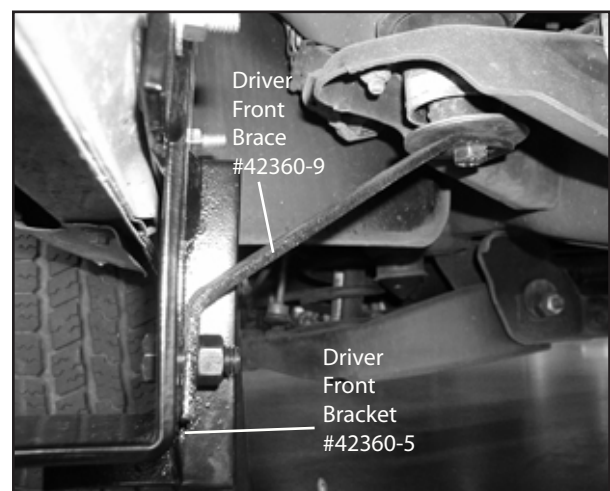
3. Install driver front brace #42360-9. Place brace from front bracket #42360-5 to the body mount. Replace the factory bolt with (1) M12 x 120mm HH bolt in kit. Also use the large washer in kit to replace the factory washer. Place front brace #42360-9 up to body mount and front bracket #42360-5 then replace body mount bolt. Use (1) 1/2" x 1 1/3" HH bolt with (2) 1/2" flat washers, (1) 1/2" lock washers and (1) 1/2" hex nuts to attach front brace #42360-9 to the front bracket #42360-5. Repeat the procedure for the passenger front brace #42360-10.

#### View of Rocker Panel



**Diagram 2**

#### View of Front Driver Bracket #42360-5 & Front Driver Brace #42323-9



**Diagram 3**

420 N. Grove, Richardson, TX 75081  
 Tele: (800) 527 - 4345 Fax: (800) 442 - 5263  
 Web site: www.goindustries.com  
 E-mail: sales@goindustries.com

## Rancher Rugged Step

Installation Instructions

**42362**

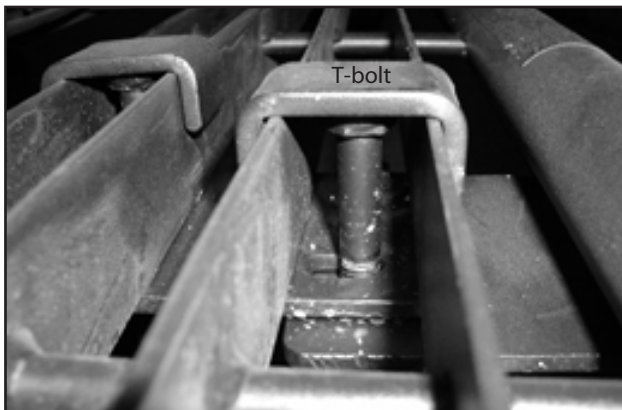
Dodge Ram 1500/2500/3500  
 Mega Cab '06 - '08

4. Install the passenger rear brace #42360-11. The rear brace #42360-11 goes from the rear bracket #42362-7 to the frame. Use a (1) 1/2" x 1 1/4" HH bolt with (2) 1/2" flat washers and (1) 1/2" hex nut to attach the rear brace #42360-11 to rear bracket #42362-7. On the driver side install the extra brackets onto the frame as shown in **Diagram 5** and **Diagram 6**. Put the brackets 342360-13 and #42360-15 together as shown in **Diagram 5**. Place bracket around the frame as shown in **Diagram 6**. Place bracket #42360-17 between the brackets for a spacer. Place the (1) 1/2" x 4 1/2" bolt through the brackets and the rear brace number #42360-11 and place a (1) 1/2" hex nut and (1) 1/2" flat washer. Align the brackets and tighten.

5. Place the Rancher Rugged Step onto the brackets. Use the T-bolts from kit to attach the Rancher Rugged Steps to the brackets, use **Diagram 4**. Place the T-bolt down through the slats in the Rancher Rugged Steps into the holes in the brackets. Place (1) 1/2" flat washer and (1) 1/2" hex nut onto T-bolts. Use (2) T-bolts per bracket.

6. Install the mud scraper on either the front or rear bracket (customer preference). Place mud scraper against the Rancher Rugged Step. Line up the 2 holes on the bracket with the 2 holes on the mud scraper. The T-bolt will be used on one of the holes. The other hole use (1) 1/2" x 1 1/4" HH bolt with (2) 1/2" flat washers and (1) 1/2" hex nut. Tighten brackets to truck first then tighten all T-bolts. **The non-skid tape that was provided needs to be put onto pipe around the openings of the door.**

**View of T-bolts**



**Diagram 4**

**View of Brackets #42360-13 and #42360-15**



**Diagram 5**

**View of Rear bracket #42360-11 Attached**



**Diagram 6**