

# Rancher Grille Guard

## Installation Instructions

### 45642 & 46642

Ford Super Duty '08



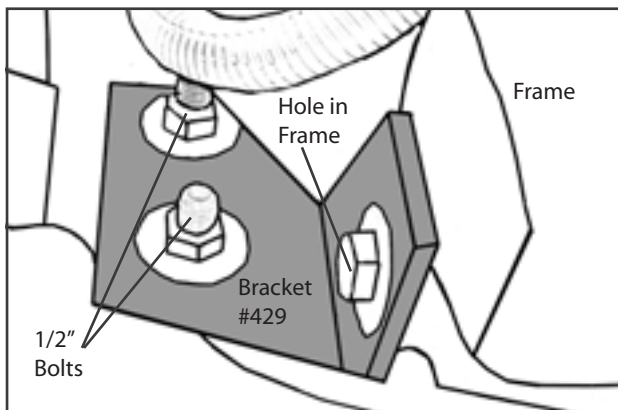
**Diagram 1**

**Parts List:**

1 - Rancher Grille Guard	6 - 1/2" x 1 1/2" HH Bolts
2 - Brackets #425	4 - 1/2" x 2" HH Bolts
1 - Driver Rear bracket #429	20 - 1/2" Flat Washers
1 - Passenger Rear Bracket #420	10 - 1/2" Lock Washers
	10 - 1/2" Hex Nuts

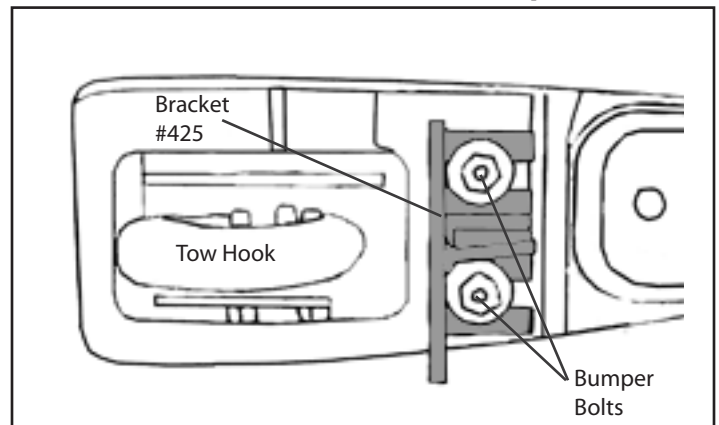
1. Remove the contents from the box and check for missing pieces or damage. If parts are missing or damaged, contact the original place of purchase. Read the instructions completely before beginning. Two people are strongly recommended for this install.

**View Behind Bumper Bracket #429 Driver Side**



**Diagram 2**

**View of Driver Side Bumper**



**Diagram 3**

2. **Install Front Brackets #425 and Rear Brackets #420 and #429:** As shown in **Diagram 3**, remove bumper bolts on both driver and passenger side. Set aside they will not be reused. As shown in **Diagram 2**, place Driver rear bracket #429 up to the back of bumper and line up the 2 holes. Locate the hole in the frame that the driver rear bracket #429 matches to and put (1) 1/2" x 1 1/2" HH bolt with (1) 1/2" flat washer through the frame and into the driver rear bracket #429. Place (1) 1/2" hex nut, (1) 1/2" flat washer onto bolt, leave loose at this time. As shown in **Diagram 3**, place front bracket #425 up to bumper and place (1) 1/2" x 2" HH bolt with a 1/2" flat washer through the front bracket #425 and into rear bracket #429. Place (1) 1/2" hex nut, (1) 1/2" flat washer onto bolt and leave loose at this time. Repeat above procedure for the passenger rear bracket #420.

3. **Attach the Grille Guard to the mounting brackets:** Using two people align the Grille Guard holes to the top brackets. Attach the Grille to brackets using (1) 1/2" x 1 1/2" HH bolts, (2) 1/2" flat washers, (1) 1/2" lock washers and (1) 1/2" hex nuts per hole in upright. Hand tighten all bolts at this time.

4. **Center the Grille Guard on the vehicle:** Center the Grille Guard on the vehicle. Tighten all bolts at this time insuring the Grille Guard remains centered on vehicle.