

Rancher Grille Guard

Installation Instructions

46658 & 45658

Dodge Ram 1500 '94 - '01

Dodge Ram 2500/3500 '94 - '02

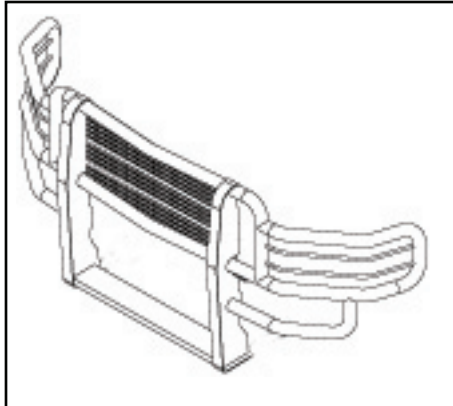


Diagram 1

View of Upright With Bracket Location

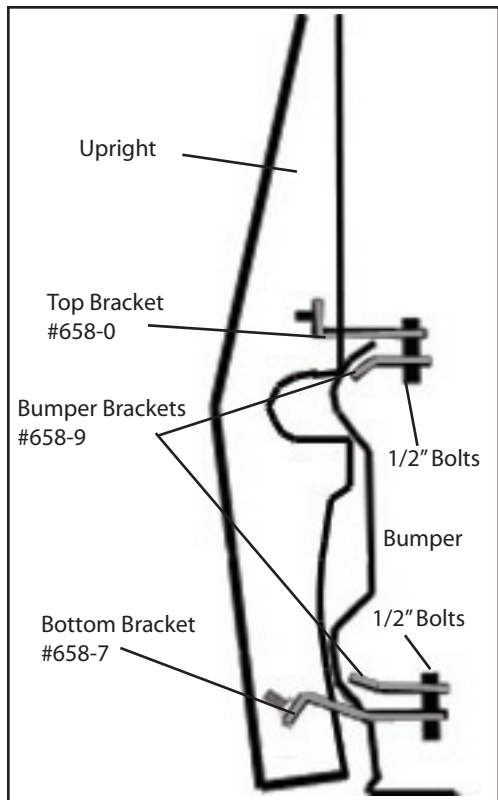


Diagram 2

Parts List:

1 - Grille Guard Ring	2 - 1/2" x 1 1/2" Carriage Bolts
1 - Driver Side Upright	4 - 1/2" Lock Washers
1 - Passenger Side Upright	4 - 1/2" Hex Nuts
2 - Top Brackets #658-0	10 - 1/2" Flat Washers
2 - Bottom Brackets #658-7	10 - 1/2" x 1 1/2" HH Bolts
4 - Bumper Brackets #658-9	

Note: Will not fit Ram Sport or Rams with plastic bumper covers

1. Remove the contents from the box and check for missing pieces or damage. If parts are missing or damaged, contact the original place of purchase. Read the instructions completely before beginning. Two people are strongly recommended for this install.

2. **Install the Bumper Brackets #658-9:** Using **Diagram 2**, install the bumper brackets #658-9 onto bumper bolts. With hood open, locate the four bolts holding bumper onto the bracket that goes to the frame. The bolts are located at the top of the bumper and the bottom of the bumper. Bumper brackets #658-9 as shown in **Diagram 2**, will come up to the edge of the bumper. Do not tighten.

3. **Install the Top Bracket #658-0:** Using **Diagram 2**, place (1) 1/2" x 1 1/2" carriage bolt and insert it into the square hole on the top bracket #658-0. Insert the (1) 1/2" x 1 1/2" carriage bolt into hole on bumper bracket #658-9, place (1) 1/2" flat washer, (1) 1/2" lock washer and (1) 1/2" hex nut onto carriage bolt. Hand tighten the nuts at this time. Top bracket #658-0 should lay on top of the bumper.

4. **Install the Bottom Brackets #658-7:** Using **Diagram 2**, place (1) 1/2" flat washer onto (1) 1/2" x 1 1/2" HH bolt then insert bolt into the bottom brackets #658-7. Insert (1) 1/2" x 1 1/2" HH bolt into hole on bumper bracket #658-9 then place a (1) 1/2" flat washer, (1) 1/2 lock washer and (1) 1/2" hex nut onto HH bolt. Hand tighten the nuts at this time. Bottom bracket #658-7 should go between the spoiler and the bottom plastic on the bumper. Do not tighten.

5. **Attach the Grille Guard to the top brackets #658-5 and bottom brackets #658-7:** Using two people align the Grille Guard holes to the top brackets and bottom brackets. Attach the Grille Guard to brackets using (2) 1/2" x 1 1/2" hex head bolts, (2) 1/2" flat washers, per side and hand tighten the bolts.

6. **Center the Grille Guard on the vehicle:** Center the Grille Guard on the vehicle. Tighten all bolts at this time insuring the Grille Guard remains centered on vehicle.