

Rancher Grille Guard

Installation Instructions

45666 & 46666

Dodge Ram 1500 '09
 Except Sport

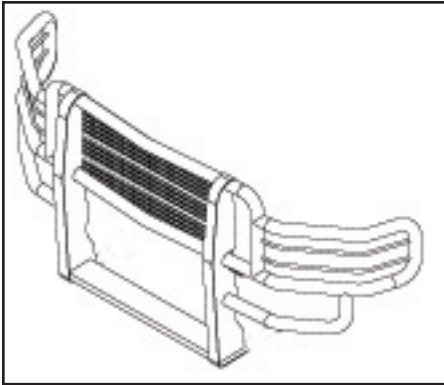


Diagram 1

Parts List:

1 - Rancher Grille Guard	10 - 1/2" Hex Nuts
1 - Driver Bracket #46666-5	10 - 1/2" Flat Washers
1 - Passenger Bracket #46666-6	10 - 1/2" Lock Washers
2 - 1/2" x 1 1/2" Carriage Bolts	
8 - 1/2" x 1 1/4" Hex Head Bolts	

1. Remove the contents from the box and check for missing pieces or damage. If parts are missing or damaged, contact the original place of purchase. Read the instructions completely before beginning. Two people are strongly recommended for this install.

View of Driver Bracket #46666-5

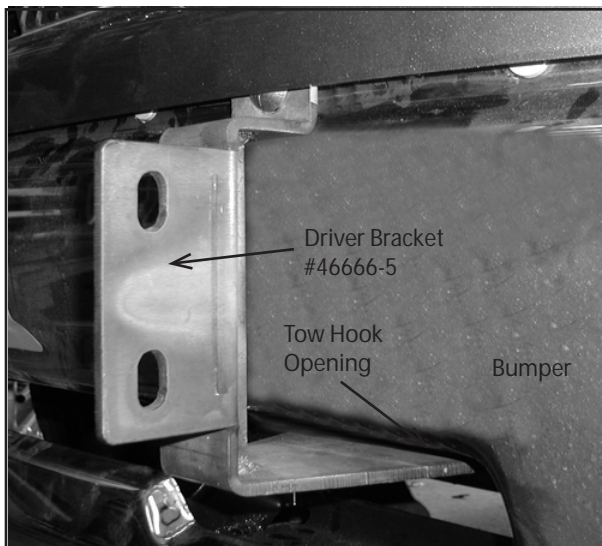


Diagram 2

View of Carriage Bolt

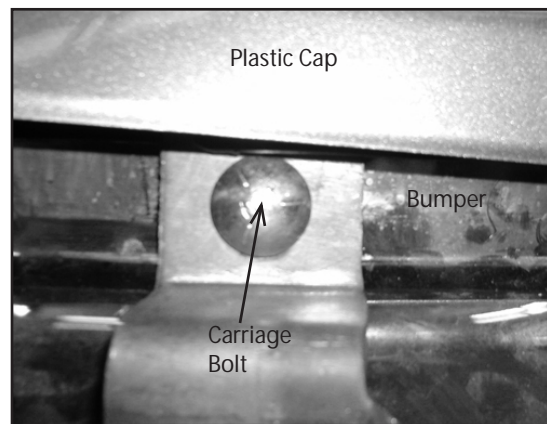


Diagram 3

2. Remove the factory tow hooks if equipped on vehicle. The factory tow hooks will not be reused.

3. **Install the driver bracket #46666-5:** Using **Diagram 2**, locate the driver bracket #46666-5. Remove the lower two nuts and bolts on the frame. Place driver bracket #46666-5 into the tow hook opening and onto the two bolts on the frame. Using **Diagram 3**, push the driver bracket under the top plastic cover put a 1/2" x 2" carriage hold into the bracket. Replace the factory nuts and bolts. Put (1) 1/2" flat washer, (1) 1/2" lock washer and (1) 1/2" hex nut on the carriage bolt behind the bumper. Hand tighten at this time.

A. Repeat the above procedure to install the passenger top bracket #46666-6.

