

Rancher Grille Guard

Installation Instructions

45669 & 46669

Dodge Ram 2500/3500 '10

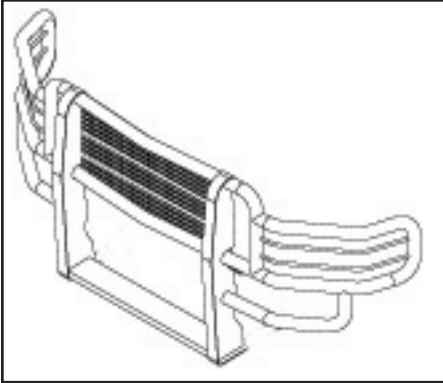


Diagram 1

Parts List:

1 - Rancher Grille Guard	6 - 1/2" Hex Nuts
1 - Driver Bracket #46669-5	6 - 1/2" Lock Washers
1 - Passenger Bracket #46669-6	12 - 1/2" Flat Washers
6 - 1/2" x 1 1/2" Hex Head Bolts	

1. Remove the contents from the box and check for missing pieces or damage. If parts are missing or damaged, contact the original place of purchase. Read the instructions completely before beginning. Two people are strongly recommended for this install.

View of Driver Side Tow Hook

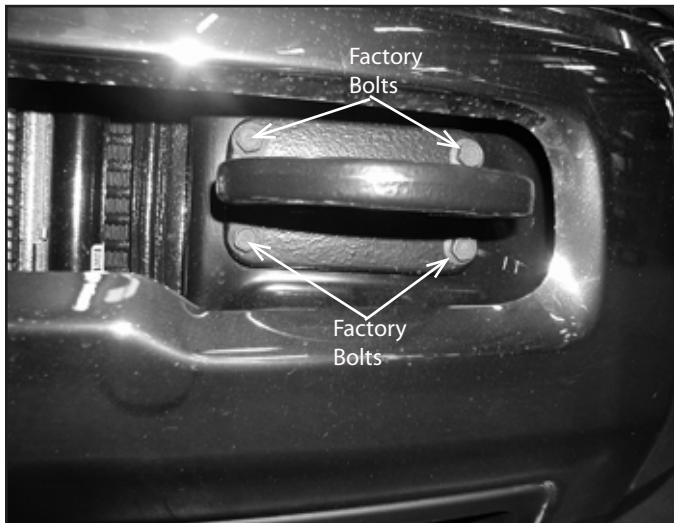


Diagram 2

View of Factory Nuts Behind The Bumper

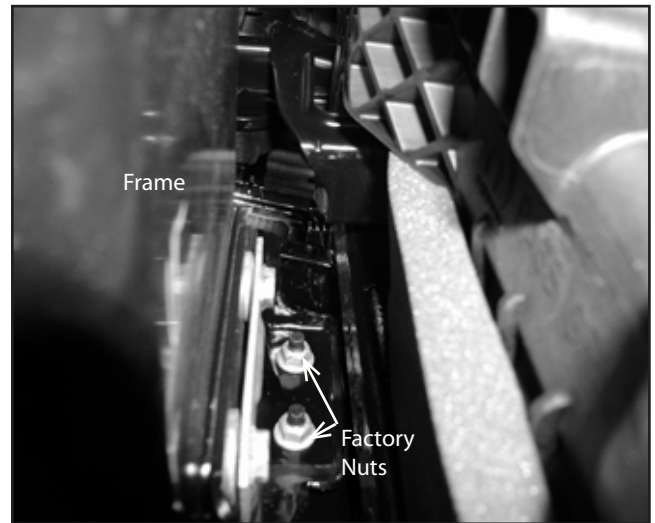


Diagram 3

2. **Install the driver bracket #46669-5:** Remove the four bolts holding the tow hook in place as shown in **Diagram 2** and **Diagram 3**. Place the tow hook onto the driver bracket #46669-5 and replace the four factory bolts. Hand tighten at this time. Repeat the above procedure to install the passenger bracket #46669-6.

420 N. Grove, Richardson, TX 75081
Tele: (800) 527 - 4345 Fax: (800) 442 - 5263
Web site: www.goindustries.com
E-mail: sales@goindustries.com

View of Driver Bracket #46669-5 Attached

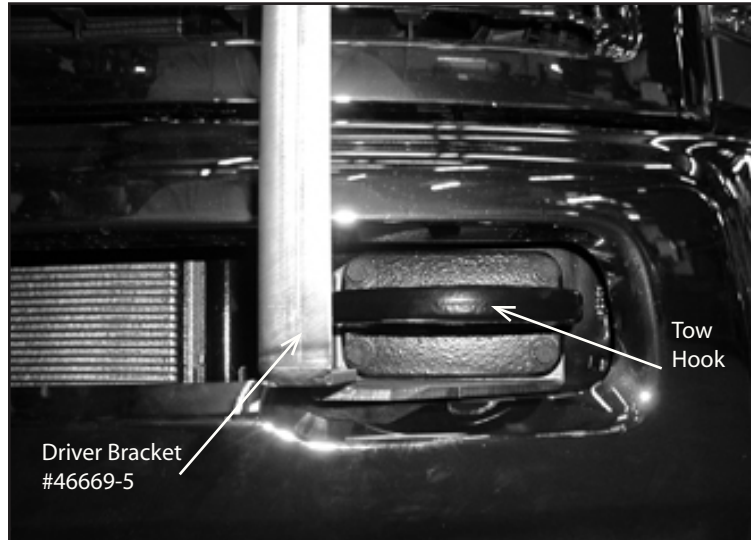


Diagram 4

- 3. Install the Rancher Grille Guard to the brackets:** Using two people place the Rancher Grille Guard up to the brackets installed on the truck. Use (6) 1/2" x 1 1/2" HH bolts with (1) 1/2" flat washer per bolt. Place the 1/2" x 1 1/2" HH bolt through the holes in the upright on the Rancher Grille Guard. Place (1) 1/2" flat washer, (1) 1/2" hex nut onto each of the 1/2" x 1 1/2" HH bolt. Hand tighten at this time.
- 4. Center the Grille Guard on the vehicle.** Tighten the brackets to the vehicle first, then tighten all bolts on the Rancher Grille Guard ensuring that the Rancher Grille Guard remains centered on the vehicle.