

Rancher Grille Guard

Installation Instructions

45728 & 46728

GMC Sierra/Classic 1500/1500HD/2500 '03 - '07

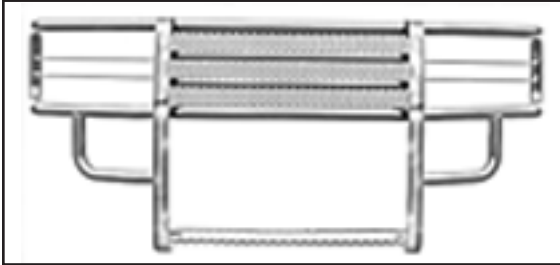


Diagram 1

Parts List:

1 - Rancher Grille Guard	2 - M12 x 50mm HH Bolts
1 - Driver Bottom Brackets #721-7	4 - 1/2" x 1 1/2" HH Bolts
1 - Passenger Bottom Brackets #721-8	4 - 1/2" Lockwashers
1 - Driver Bottom Bracket #600-7	4 - 1/2" Hex Nuts
1 - Passenger Bottom Bracket #600-8	10 - 1/2" Flat Washers
2 - Top Bracket #728-5	

Note: If your vehicle is not equipped with tow hooks, please call (800) 527-4345 for additional parts.

1. Remove the contents from the box and check for missing pieces or damage. If parts are missing or damaged, contact the original place of purchase. Read the instructions completely before beginning. Two people are strongly recommended for this install.

2. **Remove the Factory Radiator Cover and Factory Grille:** Open the hood on the truck. Using **Diagram 2**, locate the factory radiator cover. To remove the pop rivets, use a flat head screwdriver to pull up on the middle of the pop rivets. To remove the bottom part of pop rivet, place the screwdriver under the bottom and push up. Repeat this procedure to remove all pop rivets. To remove the factory grille, place your hand behind grille and push out until the grille can be removed. Place the factory radiator cover, pop rivets and factory grille to the side to be re-installed later.

View of Factory Grille Removal

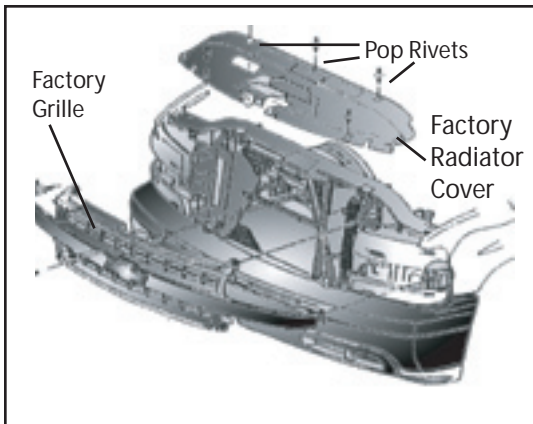


Diagram 2

Driver Side Top View of Top Bracket #728-5

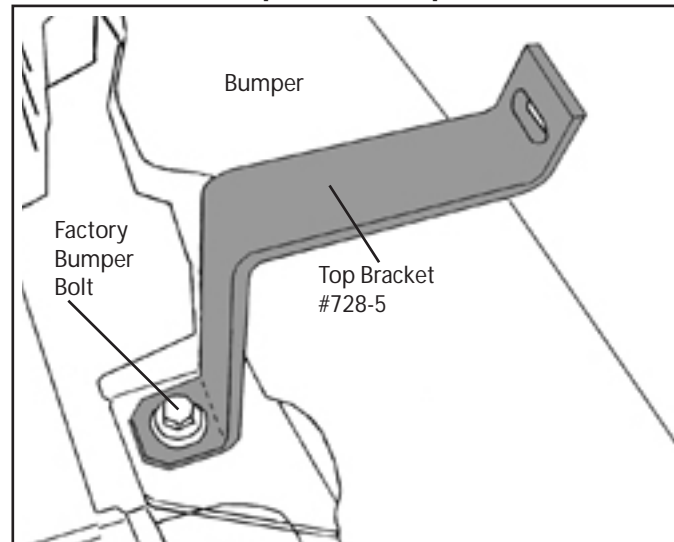


Diagram 3

3. **Install the Top Bracket #728-5 Driver and Passenger:** Locate the Top Bracket #728-5 for installation at this time.

A. Remove the factory bumper bolt as shown in **Diagram 3**. Place the Top Bracket #728-5 over the opening. Replace the factory bumper bolt through the top bracket and into the bolt hole opening. Hand tighten this bolt at this time.

B. Repeat step "A" above on the passenger side to install the Passenger Top Bracket #728-5.

C. Measure from middle of driver side bracket to middle of passenger side bracket and make sure it measures 32". Make sure brackets are square with bumper and tighten both bumper bolts.

View of Frame with Bracket Placement

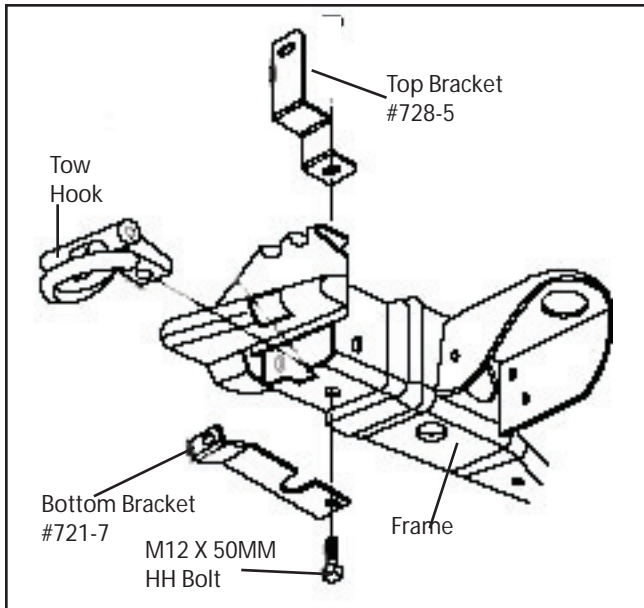


Diagram 4

View of 1500HD Frame with Bracket Placement

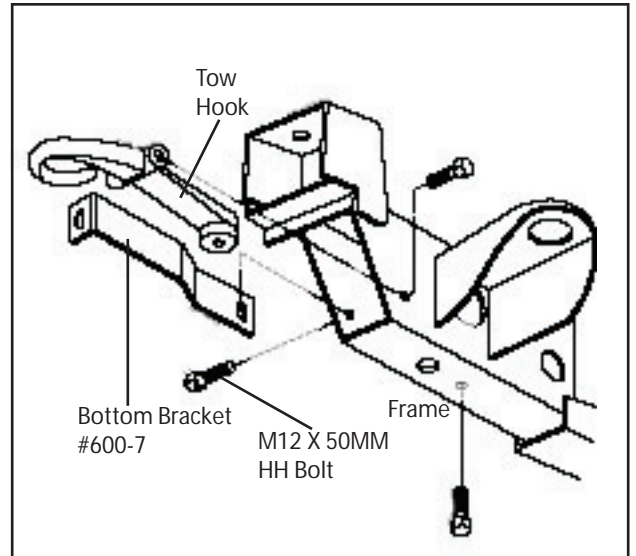


Diagram 5

4. For 1500 vehicles Install the Driver Bottom Brackets #721-7 and Passenger Bottom Brackets #721-8: Using Diagram 4, Locate the driver bottom brackets #721-7.

A. **Vehicles with tow hooks:** If the vehicle is equipped with tow hooks, locate the bottom bolt on tow hook. Loosen the bottom bolt and remove. Place flat end of the driver bottom brackets #721-7 up to bottom bolt opening and replace the factory bolt with (1) M12 x 50mm hex head bolt in kit as shown in Diagram 4. Hand tighten all bolts at this time. Repeat above procedure for passenger bottom bracket #721-8.

B. **Vehicles without tow hooks:** If the vehicle is not equipped with tow hooks, the plastic spoiler must be cut out for the bottom bracket to pass through. Align the bottom bracket with the inside hole on the frame and place bottom bracket against the plastic spoiler and mark the area to be cut. Carefully cut a slot for the bottom bracket to pass through the spoiler to the Grille Guard. Use threaded plate #699-9 to take place of tow hook. Place bracket #699-9 to the inside of the frame and line up the threaded hole in the bracket #699-9 with the bottom hole of frame. Place driver bottom bracket #721-7 up to frame. Use (1) 1/2" x 1 1/4" hex head bolt and attach driver bottom bracket #721-7 to threaded plate #699-9. Hand tighten all bolts at this time. Repeat above procedure for passenger bottom bracket #721-8.

5. For 1500HD/2500 nonHD Install the Driver Bottom Brackets #600-7 and Passenger Bottom Bracket #600-8: Using Diagram 5, locate the driver bottom brackets #600-7 for installation at this time.

A. **Vehicles with tow hooks:** If the vehicle is equipped with tow hooks, locate the inside bolt on tow hook. Loosen the inside bolt and remove. Place flat end of driver bottom brackets #600-7 up to inside bolt opening and replace the factory bolt with (1) M12 x 50mm hex head bolt as shown in Diagram 5. Hand tighten all bolts at this time. Repeat above procedure to install passenger bottom bracket #600-8.

B. **Vehicles without tow hooks (Note: the Bracket #699-9 will have to be shipped):** If the vehicle is not equipped with tow hooks, the plastic spoiler must be cut out for the bottom bracket to pass through. Align the bottom bracket with the inside hole on the frame and place bottom bracket against the plastic spoiler and mark the area to be cut. Carefully cut a slot for the driver bottom bracket #600-7 to pass through the spoiler to the Grille Guard. Place bracket #699-9 to the inside of the frame and line up the threaded hole in bracket #699-9 with the inside hole of frame. Place driver bottom bracket #600-7 up to frame use (1) 1/2" x 1 1/4" hex head bolt and attach bottom bracket to threaded plate. Hand tighten all bolts at this time. Repeat above procedure to install passenger bottom bracket #600-8.

