

420 N. Grove, Richardson, TX 75081
 Tele: (800) 527 - 4345 Fax: (800) 442 - 5263
 Web site: www.goindustries.com
 E-mail: sales@goindustries.com

Rancher Grille Guard

Installation Instructions

46731 & 45731

Chevy Silverado Classic '03 - '07
 1500, 1500HD & 2500 non-HD

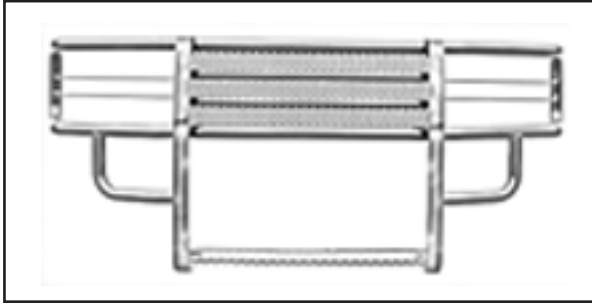


Diagram 1

Parts List:

1 - Rancher Grille Guard	2 - M12 x 50mm HH Bolts
1 - Driver Top Bracket #275	4 - 1/2" x 2" HH Bolts
1 - Passenger Top Bracket #276	4 - 1/2" Lock Washers
1 - Driver Bottom Bracket #317	4 - 1/2" Hex Nuts
1 - Passenger Bottom Bracket #318	10 - 1/2" Flat Washers

Note: If your vehicle is not equipped with tow hooks, please call (800) 527-4345 for additional parts.

1. Remove the contents from the box and check for missing pieces or damage. If parts are missing or damaged, contact the original place of purchase. Read the instructions completely before beginning. Two people are strongly recommended for this install.
2. **Remove the Factory Radiator Cover and Factory Grille:** Open the hood on the truck. Using **Diagram 2**, locate the factory radiator cover. To remove the pop rivets, use a flat head screwdriver to pull up on the middle of the pop rivets. To remove the bottom part of pop rivet, place the screwdriver under the bottom and push up. Repeat this procedure to remove all pop rivets. To remove the factory grille, place your hand behind grille and push out until the grille can be removed. Place the factory radiator cover, pop rivets and factory grille to the side to be re-installed later.

View of Factory Grille Removal

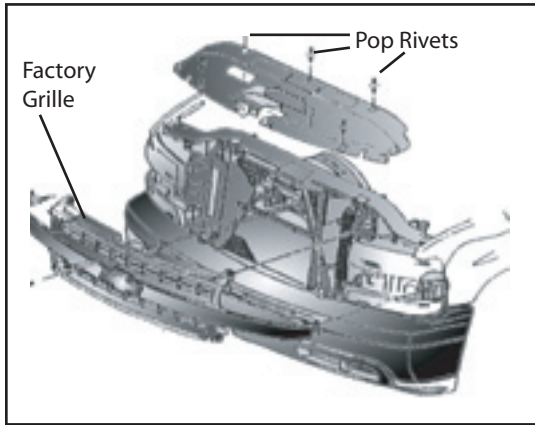


Diagram 2

Driver Side Top View of Top Bracket #275

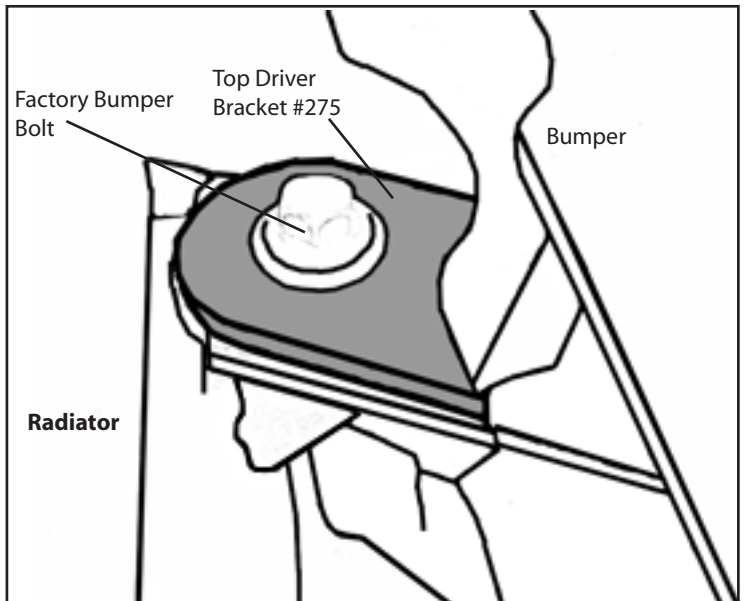


Diagram 3

3. **Install the Driver Top Bracket #275 and Passenger Top Bracket #276:** Locate the Driver Top Bracket #275 and Passenger Top Bracket #276 for installation at this time.

- A. Remove the factory bumper bolt as shown in **Diagram 3**. Insert the Driver Top Bracket #275 through driver side opening in bumper. The flat end of Driver Top Bracket should be placed over the factory bumper bolt hole opening. Replace the factory bumper bolt through the top bracket and into the bolt hole opening. Hand tighten this bolt at this time.
- B. Repeat step "A" above on the passenger side to install the Passenger Top Bracket #276.

Front View of Driver Side Top & Bottom Bracket

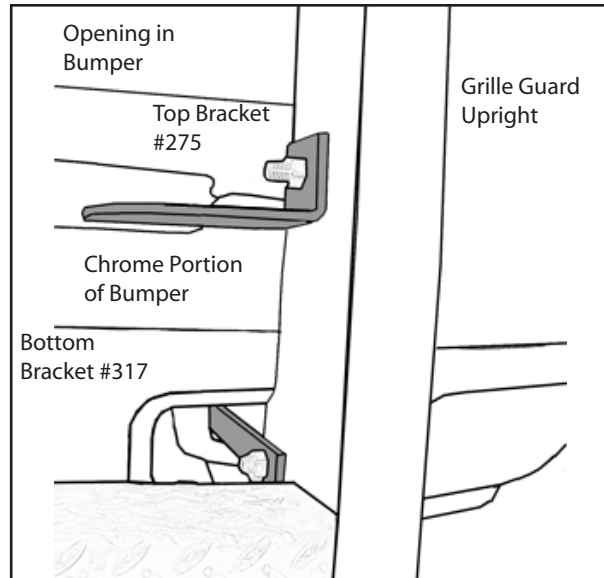


Diagram 4

3. **Install the Driver Bottom Bracket #317 and Passenger Bottom Bracket #318:** Locate the Driver Bottom Bracket #317 and Passenger Bottom Bracket #318.

A. **Vehicles with tow hooks:** If the vehicle is equipped with tow hooks, locate the bottom bolt on tow hook. Loosen the bottom bolt and remove. Place flat welded end of Driver Bottom Bracket #317 up to bottom bolt opening and replace the factory bolt with (1) M12 x 2" hex head bolt. Flat end of Driver Bottom Bracket #317 should go over the tow hook as shown in **Diagram 4**. Repeat steps above to install Passenger Bottom Bracket #318. Hand Tighten all bolts at this time.

B. **Vehicles without tow hooks, please call (800) 527-4345 for additional parts. When you receive the parts, use the following procedure to install grille guard:** If the vehicle is not equipped with tow hooks, the plastic spoiler must be cut out for the bottom bracket to pass through. Align the bottom bracket with the inside hole on the frame and place bottom bracket against the plastic spoiler and mark the area to be cut. Carefully cut a slot a slot for the bottom bracket to pass through the plastic spoiler to the Grille Guard. Use threaded plate #699-9 to take place of tow hook. Place bracket #699-9 inside the frame, line up threaded hole in bracket #699-9 with the inside hole of frame. Place bottom bracket up to frame use (1) 1/2" x 1 1/4" hex head bolt and attach bottom bracket to threaded plate. Hand tighten all bolts at this time.

4. **Attach the Grille Guard to the mounting brackets:** Using two people align the Grille Guard holes to the top brackets. Attach the Grille Guard to the top brackets using (1) 1/2" x 2" hex head bolts, (2) 1/2" flat washers, (1) 1/2" lock washers and (1) 1/2" hex nuts per hole in upright. Hand tighten all bolts at this time.

5. **Re-install Factory Grille and Factory Radiator Cover:** Re-install Factory Grille and Factory Radiator Cover. Place Factory Grille between Grille Guard and vehicle. Align Factory grille with holes in vehicle, gently push Factory Grille until it clicks closed. Place the radiator cover over the holes in the vehicle and replace pop rivets.

6. **Center the Grille Guard on the vehicle:** Center the Grille Guard on the vehicle. Tighten all bolts at this time insuring the Grille Guard remains centered on vehicle.