

Rancher Grille Guard
 Installation Instructions
45735 & 46735
 Chevy 1500 (New Body) '07 - '08

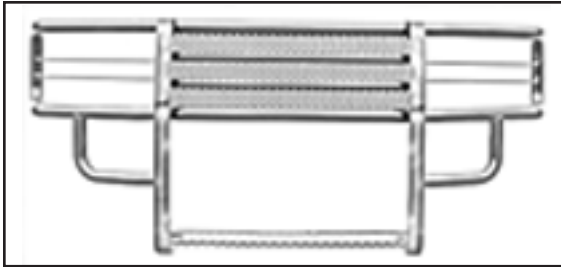


Diagram 1

Parts List:	
1 - Rancher Grille Guard	8 - 1/2" x 1 1/4" HH Bolts
1 - Driver Top Bracket #355	8 - 1/2" Lock Washers
1 - Passenger Top Bracket #356	8 - 1/2" Hex Nuts
2 - Bottom Brackets #357	16 - Flat Washers

1. Remove the contents from the box and check for missing pieces or damage. If parts are missing or damaged, contact the original place of purchase. Read the instructions completely before beginning. Two people are strongly recommended for this install.

2. **Remove the Factory Radiator Cover and Factory Grille:** Open the hood on the truck. Using **Diagram 2**, locate the factory radiator cover. To remove the pop rivets, use a flat head screwdriver to pull up on the middle of the pop rivets. To remove the bottom part of pop rivet, place the screwdriver under the bottom and push up. Repeat this procedure to remove all pop rivets. To remove the factory grille, loosen and remove the 4 10mm bolts. Take a screwdriver and push down on the middle of each clip to remove factory grille. Place the factory radiator cover, pop rivets and factory grille to the side to be re-installed later.

View of Factory Grille and Radiator Cover

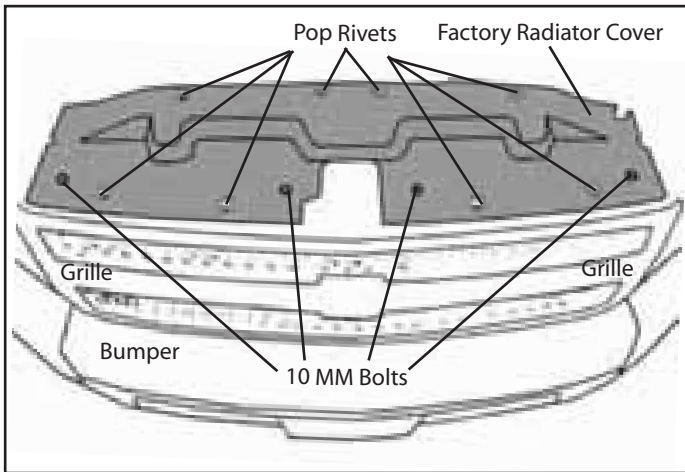


Diagram 2

View of Top Driver Bracket #355

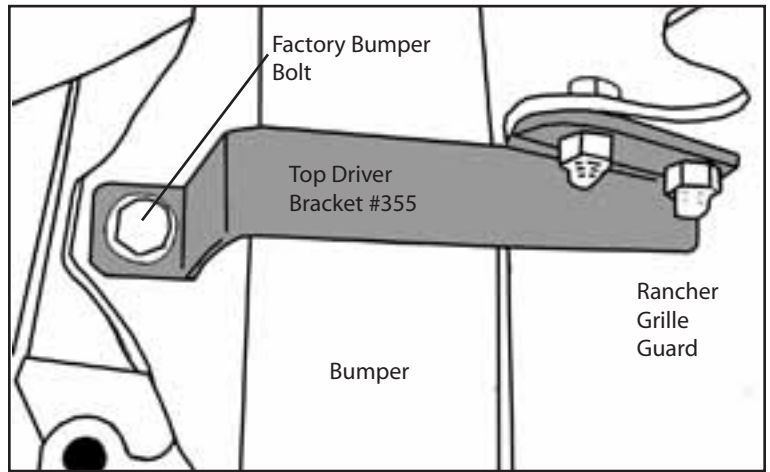


Diagram 3

3. **Install the Top Bracket #355 Driver Top Bracket and #356 Passenger Top Bracket:** Locate the Top Driver Bracket #355 for installation at this time.

A. Remove the factory bumper bolt as shown in **Diagram 3**. Place the Top Bracket #355 over the opening. Replace the factory bumper bolt through the top bracket and into the bolt hole opening. Fully tighten this bolt at this time.

B. Repeat step "A" above on the passenger side to install the Passenger Top Bracket #356.

Bottom Bracket #357 Front View

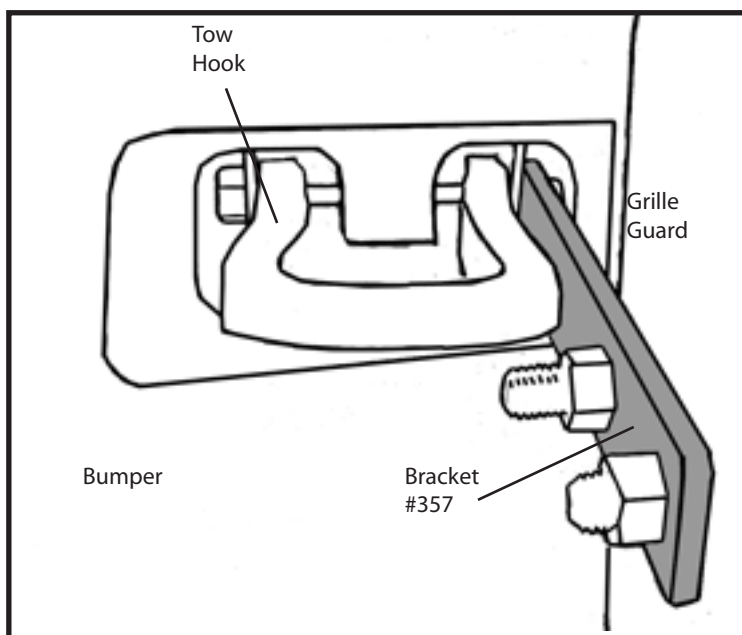


Diagram 4

Bottom Bracket #357 Behind Bumper

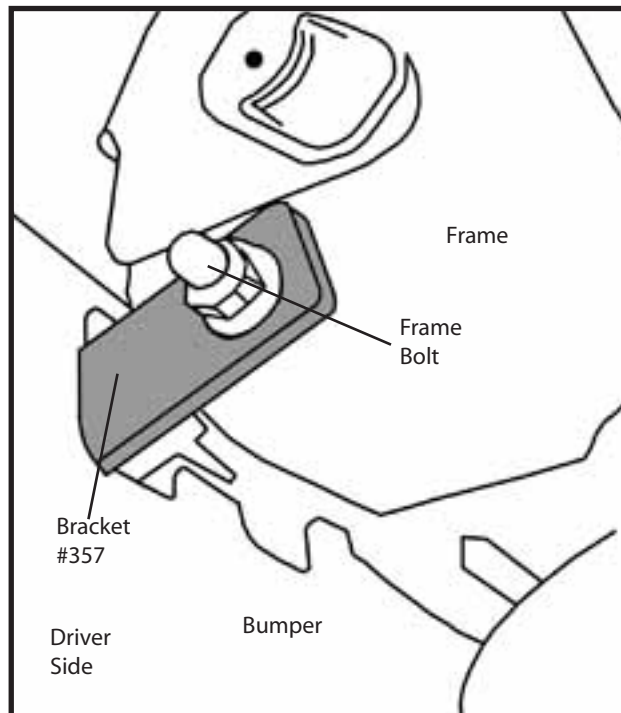


Diagram 5

4. **Install the Bottom Brackets #357:** Locate the Bottom Brackets #357 for installation at this time. On the driver side remove the nut on the frame bolt. Refer to **Diagram 5**. Place bracket up to bolt and replace nut. On passenger side the bolt will have to be removed. Place bracket onto bolt then replace through frame. Leave loose at this time. Refer to **Diagram 4** to install bracket to grille guard.

5. **Re-install Factory Grille and Factory Radiator Cover:** Re-install Factory Grille and Factory Radiator Cover. Align Factory grille with holes in vehicle, gently push Factory Grille until it clicks closed. Take radiator cover place over holes in vehicle. Replace pop rivets into vehicle.

6. **Attach the Grille Guard to the mounting brackets:** Using two people align the Grille Guard holes to the top brackets. Attach the Grille to the top brackets using (1) 1/2" x 2" hex head bolts, (1) 1/2" flat washers, (1) 1/2" lock washer and (1) 1/2" hex nut per hole in upright. Hand tighten all bolts at this time.

7. **Center the Grille Guard on the vehicle:** Center the Grille Guard on the vehicle. Tighten all bolts at this time insuring the Grille Guard remains centered on vehicle.