

420 N. Grove, Richardson, TX 75081
 Tele: (800) 527 - 4345 Fax: (800) 442 - 5263
 Web site: www.goindustries.com
 E-mail: sales@goindustries.com

Rancher Grille Guard

Installation Instructions

45738 & 46738

Chevy 2500HD & 3500 (New Body) '07 - '08

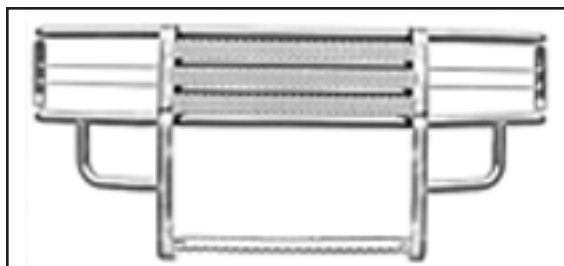


Diagram 1

Parts List:

1 - Rancher Grille Guard	8 - 1/2" x 1 1/4" HH Bolts
1 - Driver Top Bracket #46738-5	8 - 1/2" Lock Washers
1 - Passenger Top Bracket #46738-6	8 - 1/2" Hex Nuts
2 - Bottom Brackets #46738-7	16 - Flat Washers

Note: If your vehicle is not equipped with tow hooks, please call (800) 527-4345 for additional parts.

1. Remove the contents from the box and check for missing pieces or damage. If parts are missing or damaged, contact the original place of purchase. Read the instructions completely before beginning. Two people are strongly recommended for this install.

2. **Remove the Factory Radiator Cover and Factory Grille:** Open the hood on the truck. Using **Diagram 2**, locate the factory radiator cover. To remove the pop rivets, use a flat head screwdriver to pull up on the middle of the pop rivets. To remove the bottom part of pop rivet, place the screwdriver under the bottom and push up. Repeat this procedure to remove all pop rivets. To remove the factory grille, loosen and remove the 4 10mm bolts. Take a screwdriver and push down on the middle of each clip to remove factory grille. Place the factory radiator cover, pop rivets and factory grille to the side to be re-installed later.

View of Factory Grille and Radiator Cover

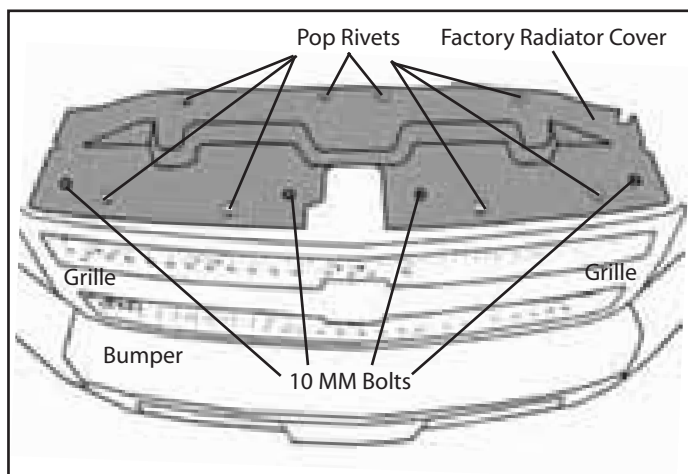


Diagram 2

View of Top Driver Bracket #46738-5

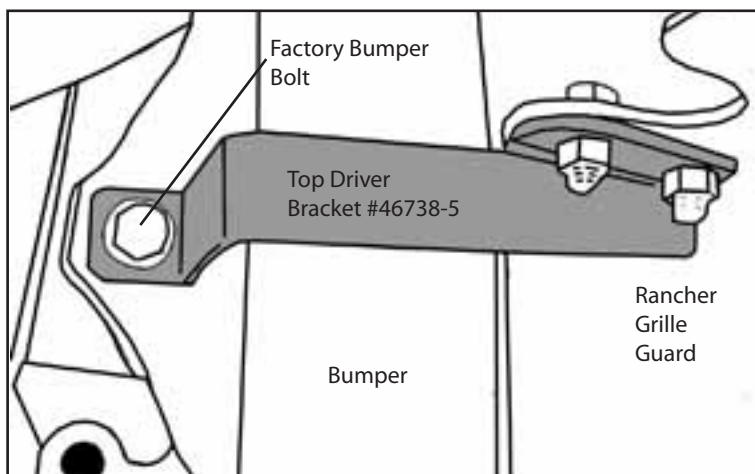


Diagram 3

3. **Install the Driver Top Bracket #46738-5 and Passenger Top Bracket #46738-6:** Locate the Top Driver Bracket #46738-5 for installation at this time.

A. Remove the factory bumper bolt as shown in **Diagram 3**. Place the Top Bracket #46738-5 over the opening. Replace the factory bumper bolt through the top bracket and into the bolt hole opening. Fully tighten this bolt at this time.

B. Repeat step "A" above on the passenger side to install the Passenger Top Bracket #46738-6.

Bottom Bracket #46738-7 Front View

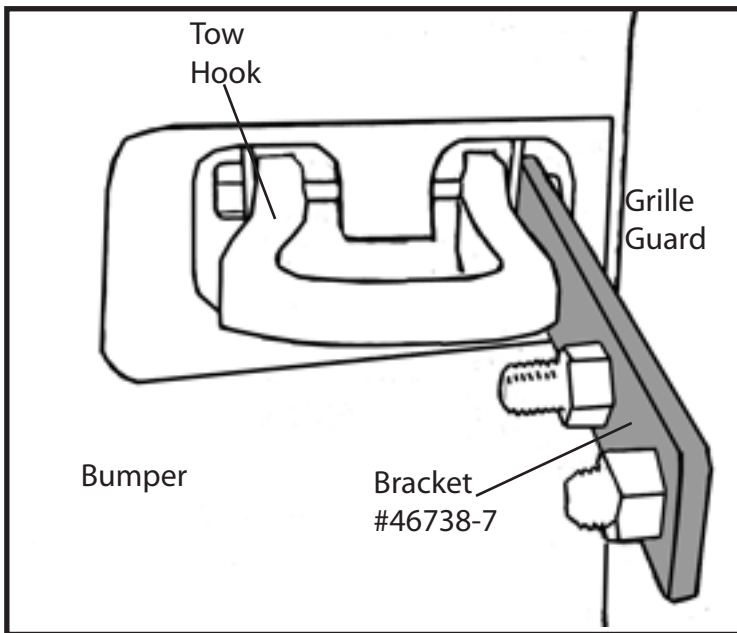


Diagram 4

Bottom Bracket #46738-7 Behind Bumper

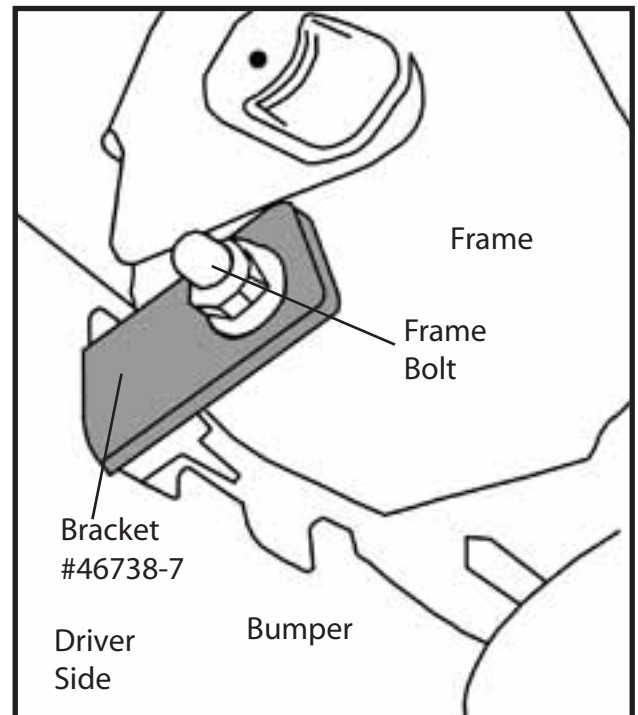


Diagram 5

4. **Install the Bottom Brackets #46738-7:** Locate the Bottom Brackets #46738-7 for installation at this time.

A. **Vehicles with tow hooks:** On the driver side, remove the nut on the frame bolt. Refer to **Diagram 5**. Place bracket up to bolt and replace nut. The passenger side bolt will have to be removed. Place bracket onto bolt then replace bolt through the frame. Leave loose at this time. Refer to **Diagram 4** to install bracket to grille guard.

B. **Vehicles without tow hooks, please call (800) 527-4345 for additional parts. When you receive the parts, use the following procedure to install grille guard:** If the vehicle is not equipped with tow hooks, the plastic spoiler must be cut out for the bottom bracket to pass through. Align the bottom bracket with the inside hole on the frame and place bottom bracket against the plastic spoiler and mark the area to be cut. Carefully cut a slot for the bottom bracket to pass through the plastic spoiler to the Grille Guard. Use threaded plate #699-9 to take place of tow hook. Place bracket #699-9 inside the frame, line up threaded hole in bracket #699-9 with the inside hole of frame. Place bottom bracket #277 up to frame using (1) 1/2" x 1 1/4" hex head bolt and attach bottom bracket to threaded plate. Hand tighten all bolts at this time.

5. **Re-install Factory Grille and Factory Radiator Cover:** Re-install Factory Grille and Factory Radiator Cover. Place Factory Grille between Grille Guard and vehicle. Align Factory grille with holes in vehicle, gently push Factory Grille until it clicks closed. Take radiator cover place over holes in vehicle. Replace pop rivets into vehicle.

6. **Attach the Grille Guard to the mounting brackets:** Using two people align the Grille Guard holes to the top brackets. Attach the Grille to the top brackets using (2) 1/2" x 1 1/4" hex head bolts, (4) 1/2" flat washers (2) 1/2" nuts per bracket.. Hand tighten all bolts at this time.

7. **Center the Grille Guard on the vehicle:** Center the Grille Guard on the vehicle. Tighten all bolts at this time insuring the Grille Guard remains centered on vehicle.