

420 N. Grove, Richardson, TX 75081
 Tele: (800) 527 - 4345 Fax: (800) 442 - 5263
 Web site: www.goindustries.com
 E-mail: sales@goindustries.com

Rancher Grille Guard

Installation Instructions

45745 & 46745

GMC 1500 (New Body) '07 - '08

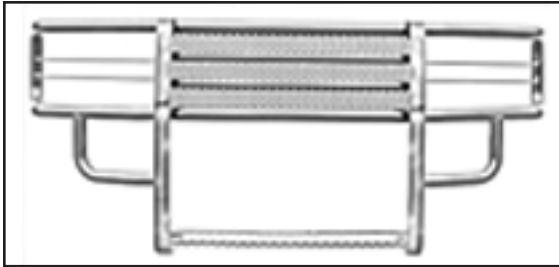


Diagram 1

Parts List:

1 - Rancher Grille Guard	8 - 1/2" x 1 1/4" HH Bolts
1 - Driver Top Bracket #455	8 - 1/2" Lock Washers
1 - Passenger Top Bracket #456	8 - 1/2" Hex Nuts
2 - Bottom Brackets #357	16 - Flat Washers

1. Remove the contents from the box and check for missing pieces or damage. If parts are missing or damaged, contact the original place of purchase. Read the instructions completely before beginning. Two people are strongly recommended for this install.

2. **Remove the Factory Radiator Cover:** Open the hood on the truck. Using **Diagram 2**, locate the factory radiator cover. To remove the pop rivets, use a flat head screwdriver to pull up on the middle of the pop rivets. To remove the bottom part of pop rivet, place the screwdriver under the bottom and push up. Repeat this procedure to remove all pop rivets. Do not remove factory grille.

View of Factory Grille and Radiator Cover

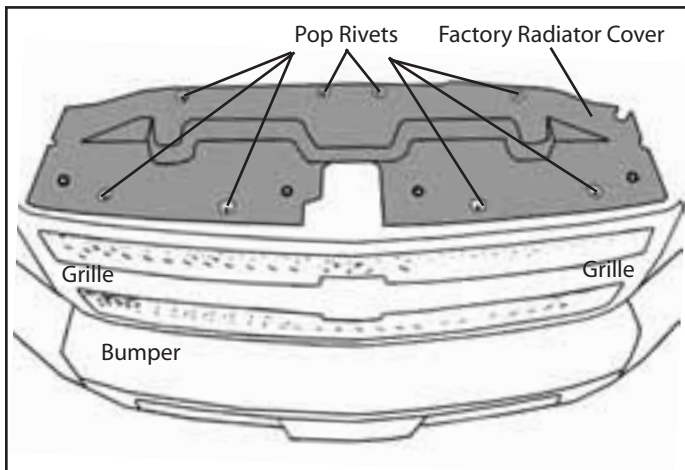


Diagram 2

Rear View of Top Driver Bracket

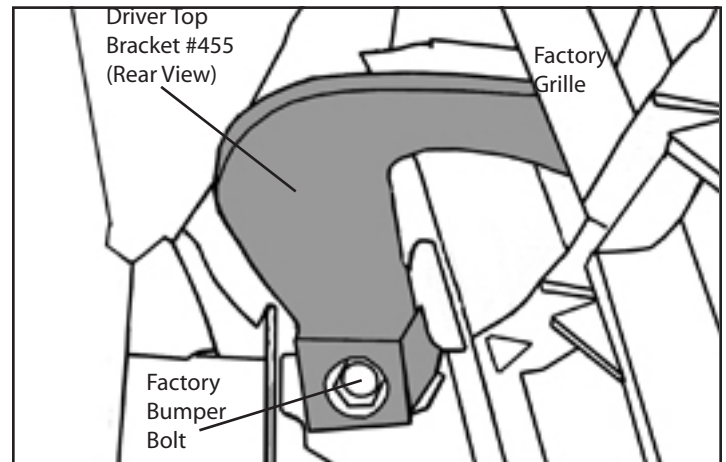


Diagram 3

3. **Install the Driver Top Bracket #455 and Passenger Top Bracket #456:** Locate the Top Driver Bracket #455 for installation at this time.

A. Remove the factory bumper bolt as shown in **Diagram 3**. Slide top bracket #455 through factory grille as shown in **Diagram 4**. Place the Top Bracket #455 over the factory bolt opening. Replace the factory bumper bolt through the top bracket and into the factory bolt hole opening. Hand tighten this bolt at this time.

B. Repeat step "A" above on the passenger side to install the Passenger Top Bracket #456.

Front View of Top Driver Bracket

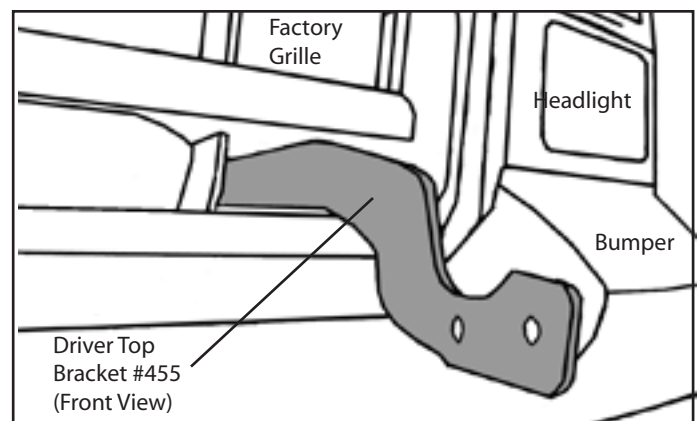


Diagram 4

420 N. Grove, Richardson, TX 75081
 Tele: (800) 527 - 4345 Fax: (800) 442 - 5263
 Web site: www.goindustries.com
 E-mail: sales@goindustries.com

Bottom Bracket #357 Front View

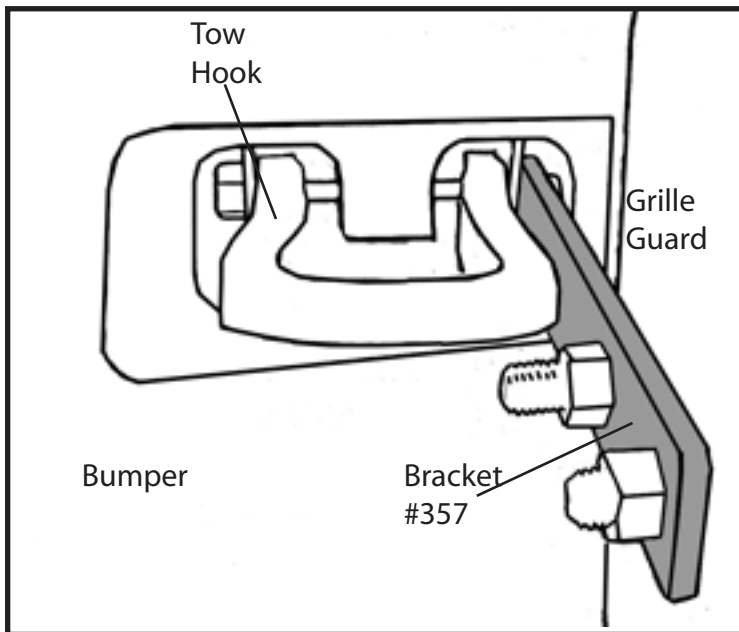


Diagram 5

Bottom Bracket #357 Behind Bumper

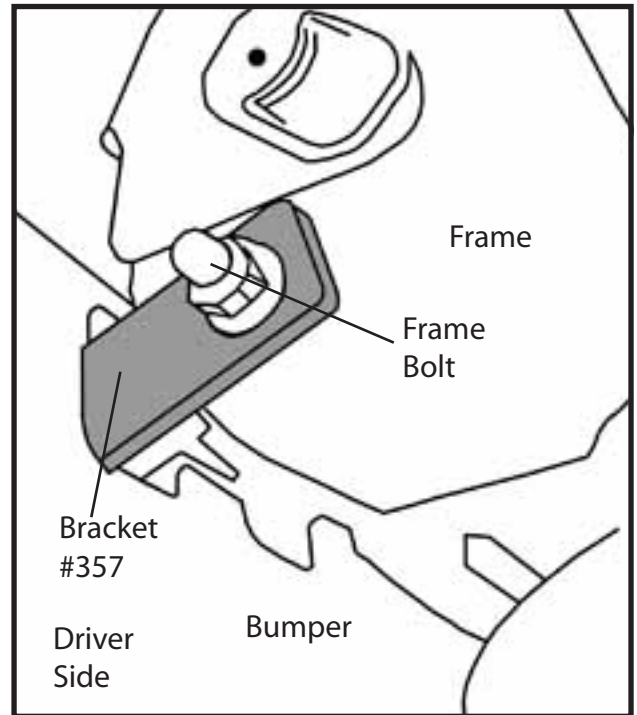


Diagram 6

4. **Install the Bottom Brackets #357:** Locate the Bottom Brackets #357 for installation at this time. On the driver side remove the nut on the frame bolt. Refer to **Diagram 6**. Place bracket up to bolt and replace nut. The passenger side factory bolt will have to be removed to install the bottom bracket #357. Remove the inside factory nut and factory bolt. Place Leave loose at this time.
5. **Re-install Factory Radiator Cover:** Re-install Factory Radiator Cover. Take radiator cover place over holes in vehicle. Replace pop rivets into vehicle.
6. **Attach the Grille Guard to the mounting brackets:** Using two people align the Grille Guard holes to the top brackets. Attach the Grille to the top brackets using (2) 1/2" x 1 1/4" hex head bolts, (4) 1/2" flat washers (2) 1/2" nuts per bracket.. Hand tighten all bolts at this time.
7. **Center the Grille Guard on the vehicle:** Center the Grille Guard on the vehicle. Tighten all bolts at this time insuring the Grille Guard remains centered on vehicle.