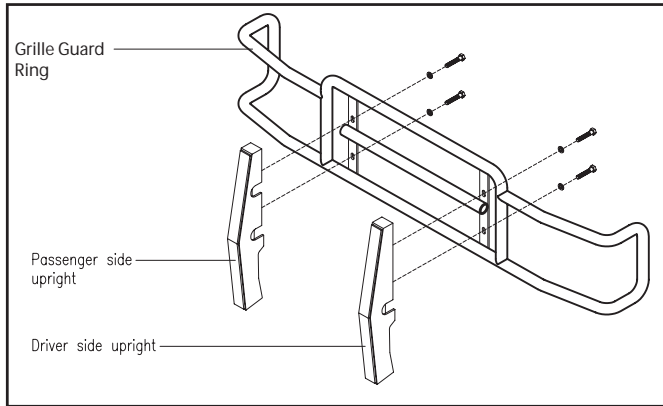


## Big Tex Grille Guard

Installation Instructions

### **77668 & 77668B**

Dodge Ram 1500 '09  
 Except Sport



**Diagram 1**

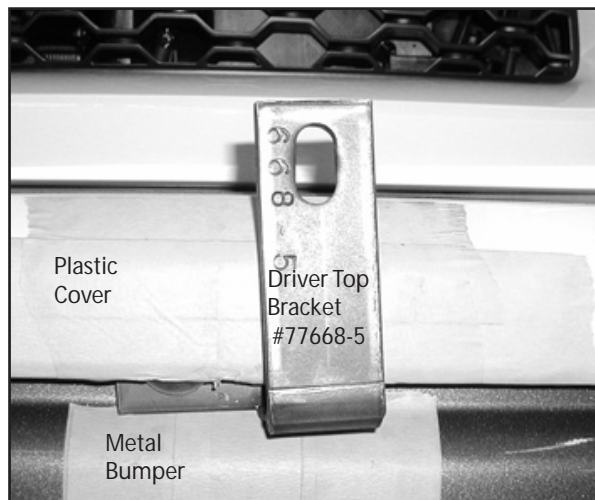
#### **Parts List:**

1 - Grille Guard Ring	2 - 1/2" x 1 1/2" Carriage Bolts
1 - Driver Side Upright	4 - 1/2" Lock Washers
1 - Passenger Side Upright	6 - 1/2" Hex Nuts
1 - Driver Top Bracket #77668-5	8 - 1/2" x 1 1/2" HH Bolts
1 - Passenger Top Bracket #77668-6	14 - 1/2" Flat Washers
2 - Bottom Brackets #77668-7	

1. Remove the contents from the box and check for missing pieces or damage. If parts are missing or damaged, contact the original place of purchase. Read the instructions completely before beginning. Two people are strongly recommended for this install.

2. **Assemble the Grille Guard Ring and Uprights:** See **Diagram 1**, assemble the Uprights to the Grille Guard Ring. Each upright will get (2) - 1/2" x 1 1/4" hex head bolts and (2) - 1/2" flat washers that will go through the vertical plate on Grille Guard ring into upright. Hand tighten all bolts at this time.

#### **View of Driver Top Bracket #77668-5**



**Diagram 2**

3. **Install the driver top bracket #77668-5:** Using **Diagram 2**, locate the driver top bracket #77668-5. Place driver top bracket #77668-5 under the plastic cover as shown in **Diagram 2**. Place (1) 1/2" x 1 1/2" carriage bolt into bracket and into bumper. Place (1) 1/2" flat washer onto carriage bolt with (1) 1/2" hex nut behind the bumper. Hand tighten at this time.

A. Repeat the above procedure to install the passenger top bracket #77668-6.

