

## Big Tex Grille Guard

Installation Instructions

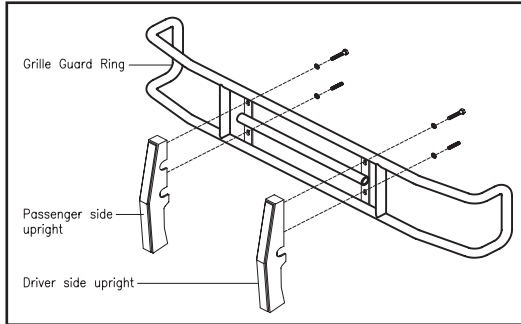
**77726 & 77726B**

Chevy 1500, 1500HD & 2500 non HD '03 - '05

Chevy Avalanche 1500 w/o body hardware '03 - '06

**77731 & 77731B**

Chevy 1500, 1500HD & 2500 non HD '06 - '07



**Diagram 1**

### Parts List:

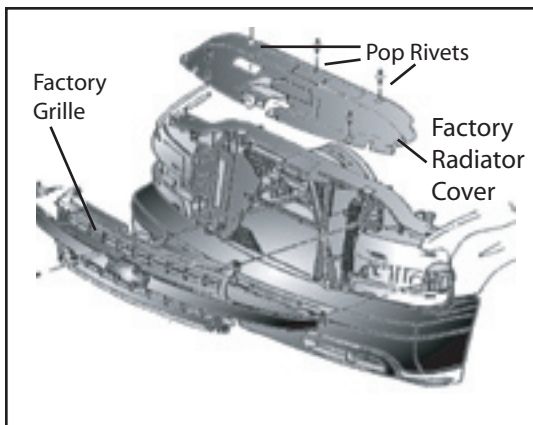
1 - Grille Guard Ring #731	2 - M12 x 50mm HH Bolts
1 - Driver Side Upright	8 - 1/2" x 1 1/4" HH Bolts
1 - Passenger Side Upright	10 - 1/2" Flat Washers
2 - Top Brackets #726-5	
2 - Bottom Brackets #726-7	
2 - HD Bottom Brackets #720-9	

1. Remove the contents from the box and check for missing pieces or damage. If parts are missing or damaged, contact the original place of purchase. Read the instructions completely before beginning. Two people are strongly recommended for this install.

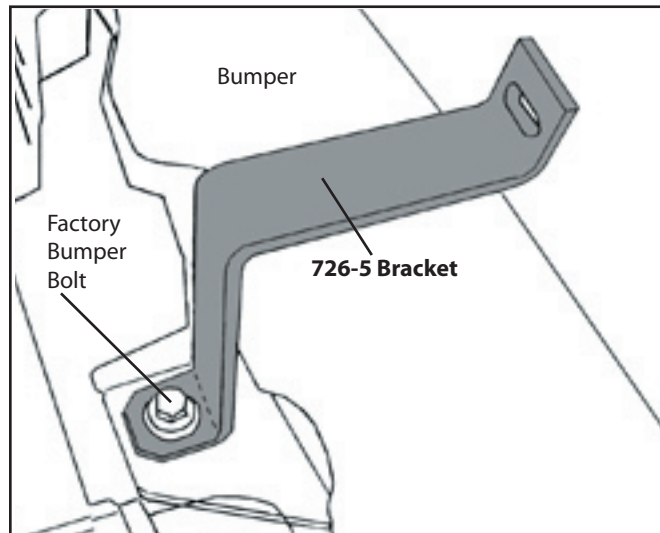
2. **Assemble the Grille Guard Ring and Uprights:** Using **Diagram 1**, assemble the Uprights to the Grille Guard Ring using 1/2" x 1 1/2" hex head bolts and 1/2" washers. Hand tighten all bolts at this time.

3. **Remove the Factory Radiator Cover and Factory Grille:** Open the hood on the truck. Using **Diagram 2**, locate the factory radiator cover. To remove the pop rivets, use a flat head screwdriver to pull up on the middle of the pop rivets. To remove the bottom part of pop rivet, place the screwdriver under the bottom and push up. Repeat this procedure to remove all pop rivets. To remove the factory grille, place your hand behind grille and push out until the grille can be removed. Place the factory radiator cover, pop rivets and factory grille to the side to be re-installed later.

### Driver Side Top View of Top Bracket #726-5



**Diagram 2**



**Diagram 3**

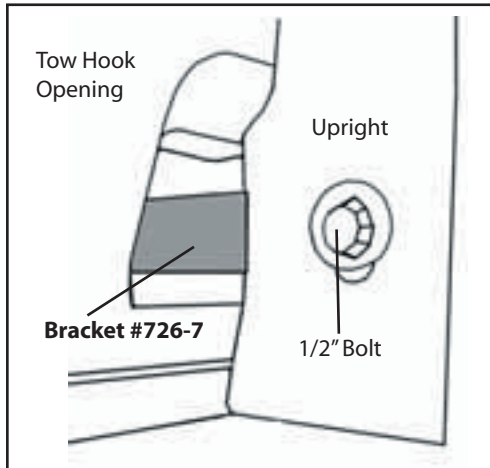
4. **Install the Top Bracket #726-5 Driver and Passenger:** Locate the Top Bracket #726-5 for installation at this time.

A. Remove the factory bumper bolt as shown in **Diagram 3**. Place the Top Bracket #726-5 over the opening. Replace the factory bumper bolt through the top bracket and into the bolt hole opening. Hand tighten this bolt at this time.

B. Repeat step "A" above on the passenger side to install the Passenger Top Bracket #726-5.

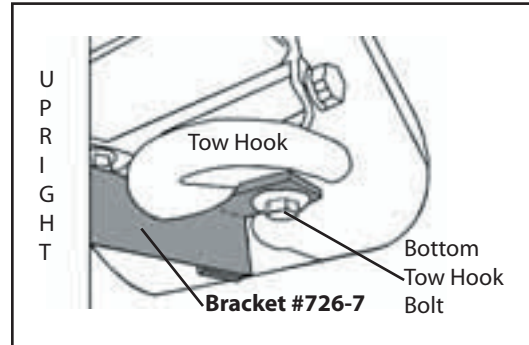
C. Measure from middle of driver side bracket to middle of passenger side bracket and make sure it measures 32". Make sure brackets are square with bumper and tighten both bumper bolts.

**Front View of Driver Bottom Bracket #726-7 Attached to Upright**



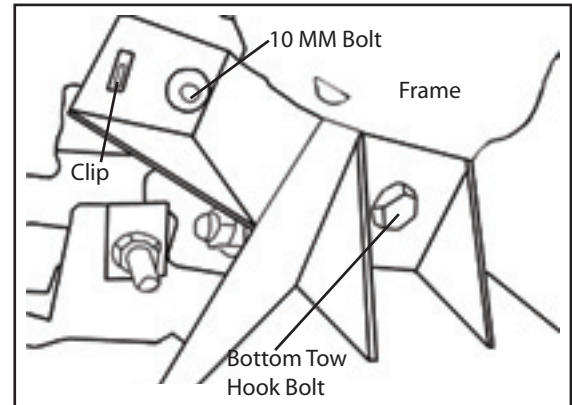
**Diagram 4**

**Front View of Driver Bottom Bracket #726-7 Attached to Upright**



**Diagram 5**

**Tow Hook Opening Cover Driver Side**



**Diagram 6**

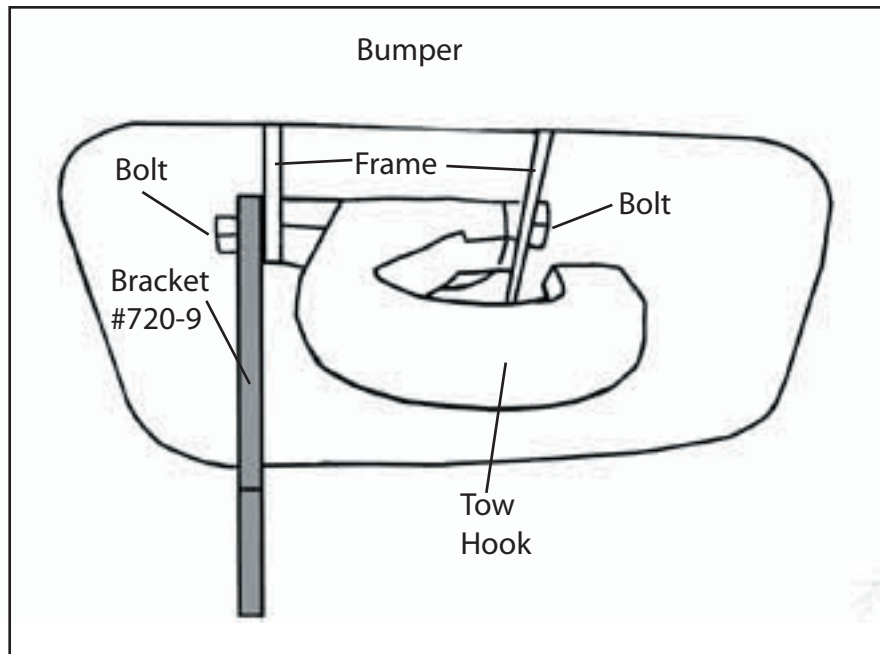
5. **Removal of Tow Hook Opening Cover:** Remove the tow hook opening cover located behind the bumper. Remove the two 10mm bolts located on either side of the frame. Unclip the cover as shown in **Diagram 6**. Remove the cover by pulling it away from the frame. Some cutting will be necessary to put the tow hook opening cover back onto frame.

6. **For 1500 vehicles Install the Bottom Brackets #726-7:** Locate the Bottom Brackets #726-7 for installation at this time.

A. **Vehicles with tow hooks:** If the vehicle is equipped with tow hooks, locate the bottom bolt on tow hook. Loosen the bottom bolt and remove. Place flat end of Bottom Brackets #726-7 up to bottom bolt opening and replace the factory bolt with M12 x 2" hex head bolt as shown in **Diagram 4** and **Diagram 5**. Hand tighten all bolts at this time.

B. **Vehicles without tow hooks:** If the vehicle is not equipped with tow hooks, the plastic spoiler must be cut out for the bottom bracket to pass through. Align the bottom bracket #726-7 with the inside hole on the frame and place bottom bracket against the plastic spoiler and mark the area to be cut. Carefully cut a slot for the bottom bracket to pass through the spoiler to the Grille Guard. Use threaded plate #699-9 to take place of tow hook. Place bracket #699-9 inside the frame and line up the threaded hole in the bracket #699-9 with the inside hole of frame. Place bottom bracket up to frame use a 1/2" x 1 1/4" hex head bolt and attach bottom bracket to threaded plate. Hand tighten all bolts at this time.

## View of Bracket #720-9



**Diagram 7**

7. **For 1500HD/2500 nonHD Install the Bottom Brackets #720-9:** Locate the Bottom Brackets #720-9 for installation at this time.

A. **Vehicles with tow hooks:** If the vehicle is equipped with tow hooks, locate the inside bolt on tow hook. Loosen the inside bolt and remove. Place flat end of Bottom Brackets #720-9 up to inside bolt opening and replace the factory bolt with M12 x 50mm hex head bolt as shown in **Diagram 7**. Hand tighten all bolts at this time.

B. **Vehicles without tow hooks:** If the vehicle is not equipped with tow hooks, the plastic spoiler must be cut out for the bottom bracket to pass through. Align the bottom bracket #720-9 with the inside hole on the frame and place bottom bracket against the plastic spoiler and mark the area to be cut. Carefully cut a slot for the bottom bracket #720-9 to pass through the spoiler to the Grille Guard. Place bracket #699-9 inside the frame and line up the threaded hole in bracket #699-9 with the inside hole of frame. Place bottom bracket up to frame use a 1/2" x 1 1/4" hex head bolt and attach bottom bracket to threaded plate. Hand tighten all bolts at this time.

8. **Re-install Factory Grille and Factory Radiator Cover:** Re-install Factory Grille and Factory Radiator Cover. Align Factory grille with holes in vehicle, gently push Factory Grille until it clicks closed. Take radiator cover and place it over the holes in vehicle. Replace pop rivets into vehicle.

9. **Attach the Grille Guard to the mounting brackets:** Using two people align the Grille Guard holes to the top brackets. Attach the Grille to the top brackets using 1/2" x 2" hex head bolts, 1/2" flat washers (2), per hole in upright. Hand tighten all bolts at this time.

10. **Center the Grille Guard on the vehicle:** Center the Grille Guard on the vehicle. Tighten all bolts at this time insuring the Grille Guard remains centered on vehicle.