



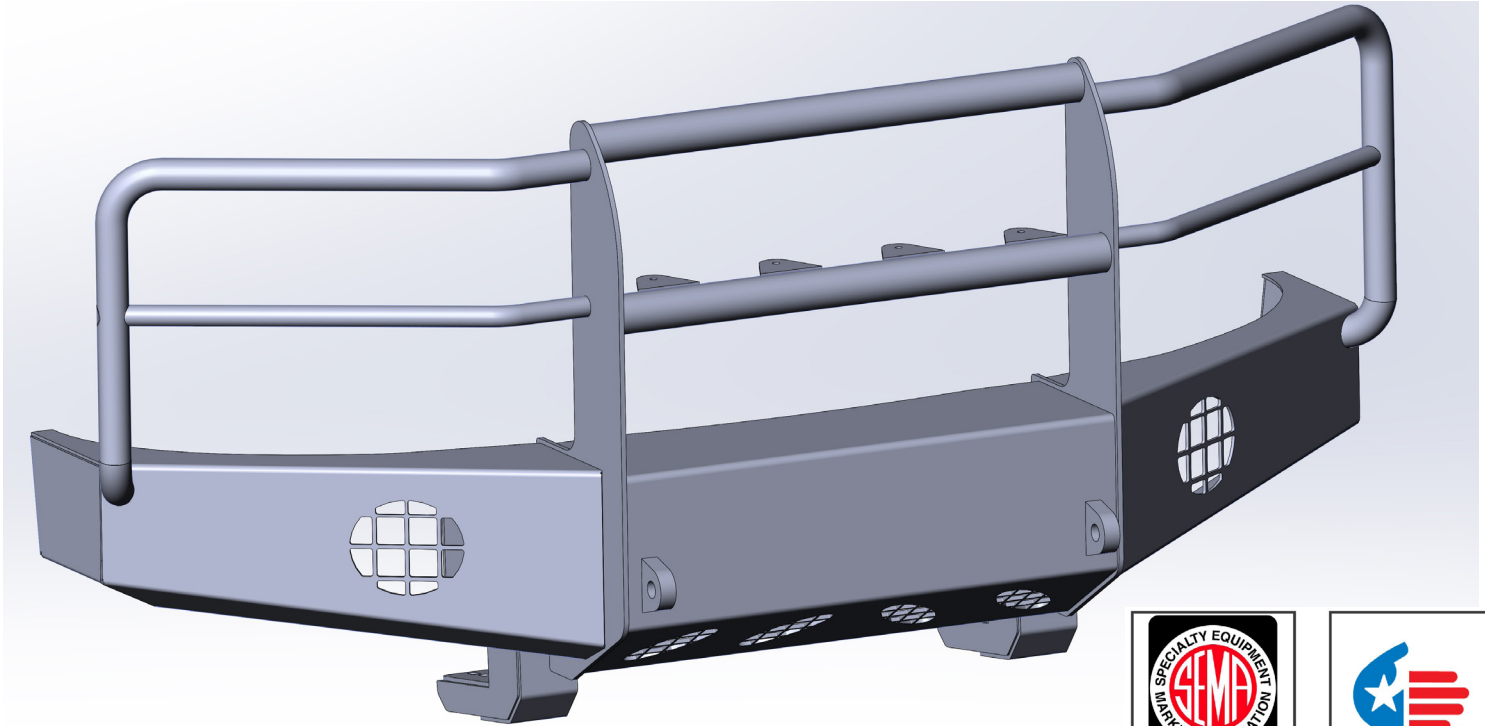
420 N. Grove, Richardson, TX 75081
 Tele: (800) 527 - 4345 Fax: (800) 442 - 5263
 Web site: www.goindustries.com
 E-mail: gosupport@goindustries.com

Pro Series Bumper Replacement

Installation Instructions

59752NC

2015 - 2019 Chevrolet Silverado 2500 / 3500



Parts List:

- 1 - Pro Series Bumper Replacement
- 2 - Main Brackets #59752-5
- 12 - 1/2" - 13 x 2" Hex Head bolts
- 24 - 1/2" Flat Washers
- 12 - 1/2" - 13 Nylon Locking Nuts

*May include extra hardware.

NOTE: THIS BUMPER REPLACEMENT IS HEAVY!!! TEAM LIFT IS HIGHLY RECOMMENDED TO PREVENT INJURY!



Note: Completely read instructions before beginning installation!

1. Remove the contents from the box and check for missing or damaged parts. If parts are missing or damaged, contact the original place of purchase.
2. Begin by opening the hood and removing the plastic cover over the radiator. Next remove the grille from the truck. Once removed, you will be able to access the 4 bolts that mount the bumper to the bumper mounting brackets that are hidden behind the bumper. Below the truck on either side, there is a bumper support brace which will also be disconnected from the frame and set aside in order to remove the bumper from the vehicle.
3. Once the factory bumper is removed from the truck, remove the tow hooks which will not be reused and set aside. The bumper replacement is equipped with recovery points to replace the tow hooks. Also you will remove the factory bumper mounting brackets and save the hardware for the bumper replacement installation as they will be reused.

Pro Series Bumper Replacement Installation Instructions

59752NC

2015 - 2019 Chevrolet Silverado 2500 / 3500

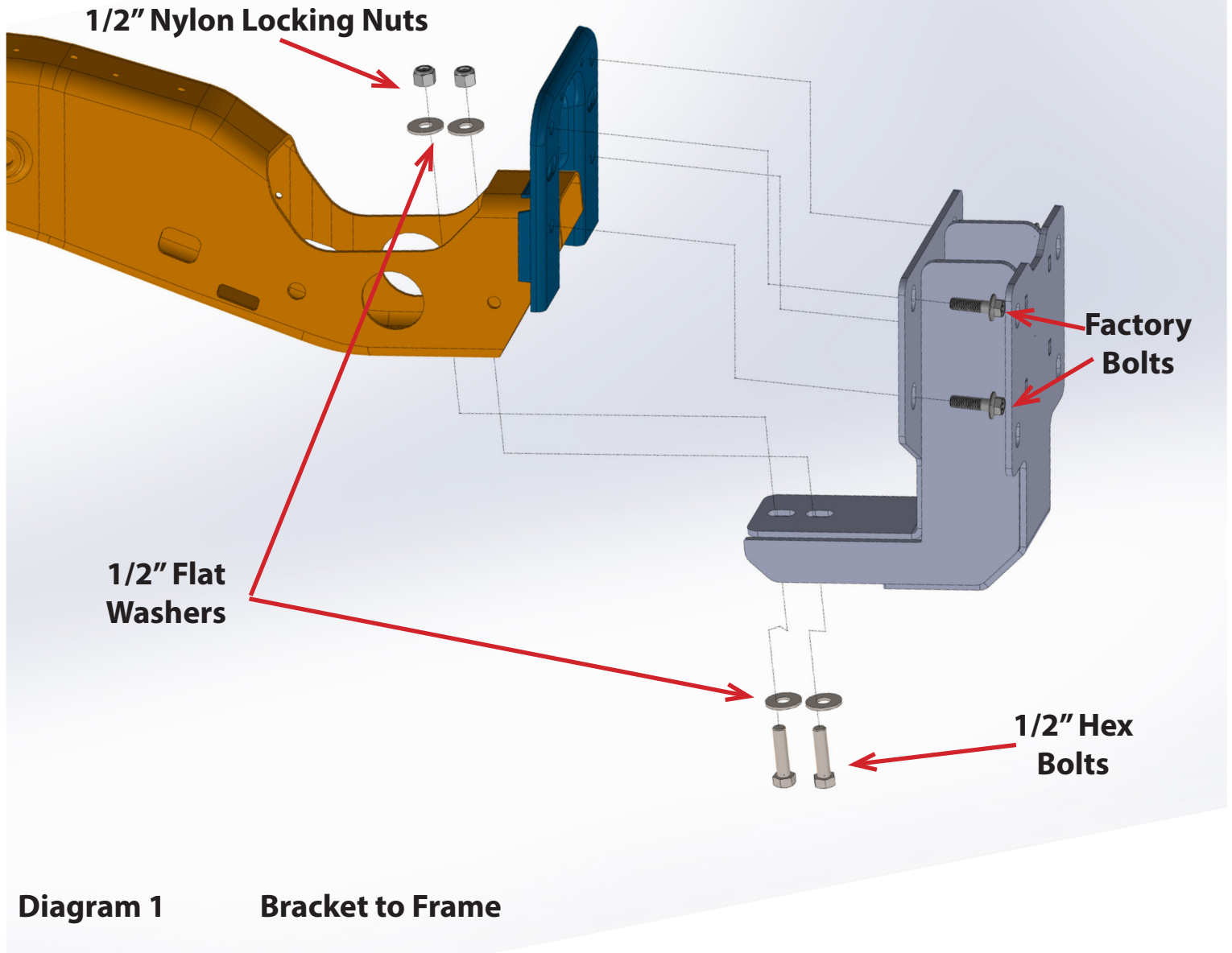
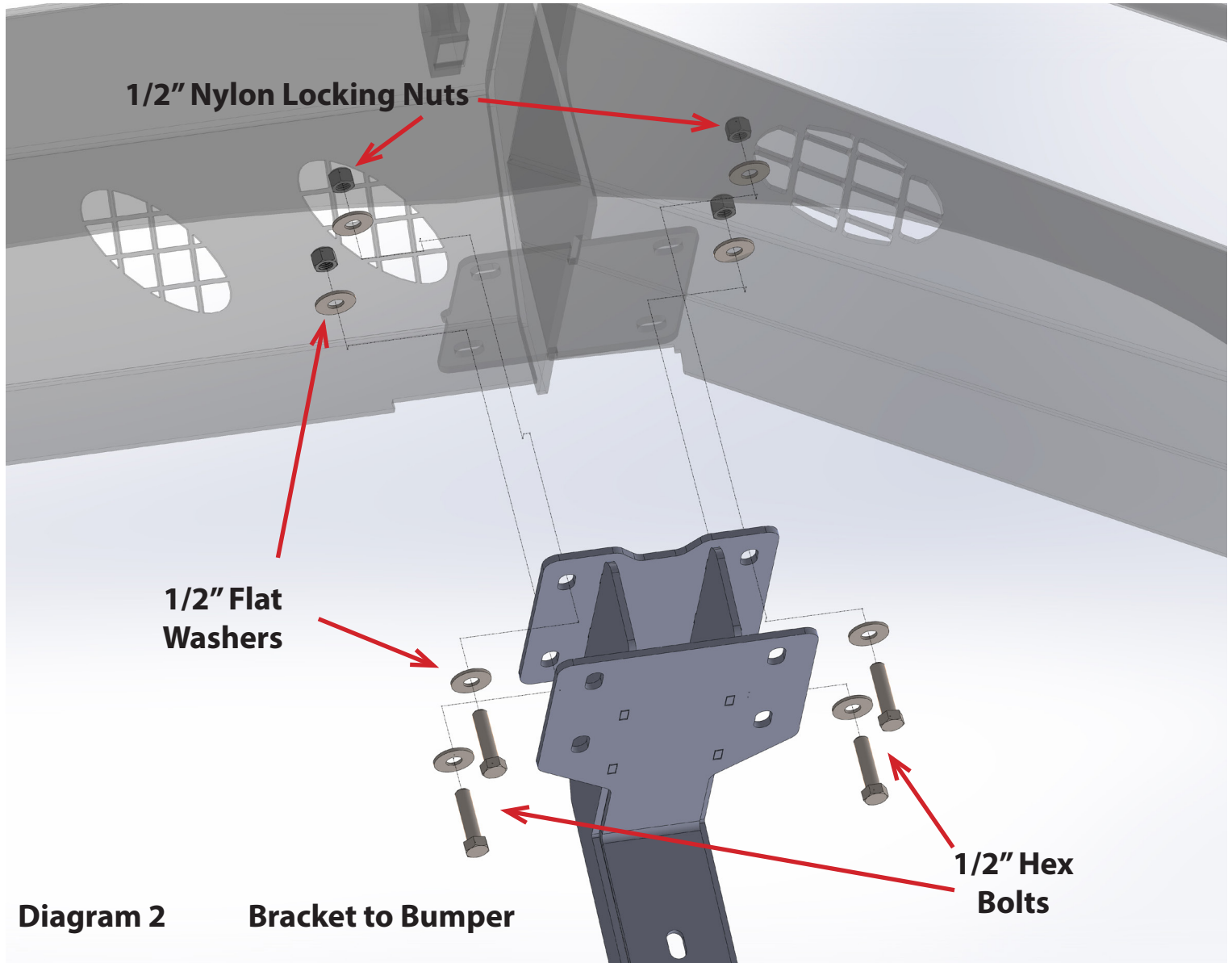


Diagram 1 **Bracket to Frame**

4. Install the brackets (59752-5) using the previously removed factory bumper mounting bracket hardware as shown in **Diagram 1**, you will then use 2 sets of the 1/2" hardware per side as shown to secure the lower part of the bracket to the underside of the frame.
5. Using **Diagram 2** as a guide, loosely install the bumper replacement to the mounting brackets using the 1/2" hardware. Leave the hardware loose to allow for adjustment of the new bumper.
6. Begin final adjustments by centering the bumper replacement on the vehicle and making it level, and square, to the body. Tighten the bumper replacement hardware at this time maintaining all adjustments, and then torque to approximately 75 ft lbs.
7. After all hardware is tightened, reinstall the grille and the radiator cover that were previously removed.

Pro Series
Bumper Replacement
Installation Instructions
59752NC

2015 - 2019 Chevrolet Silverado 2500 / 3500



Note: Re-check all hardware for proper tightness upon completion and periodically inspect hardware and parts for signs of wear throughout the life of the product.