



420 N. Grove, Richardson, TX 75081  
Tele: (800) 527 - 4345 Fax: (800) 442 - 5263  
Web site: www.goindustries.com  
E-mail: gosupport@goindustries.com

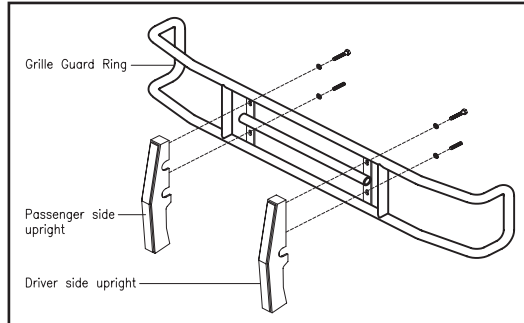
# Big Tex Grille Guard

Installation Instructions

## 77535 & 77535B

Chevy Express Van 1500/2500/3500 '08 -'17

GMC Savanna Van 1500/2500/3500 '08 -'17



**Diagram 1**

### Parts List:

1 - Grille Guard Ring	2 - Bottom Brackets #77535-7
1 - Driver Side Upright	4 - 1/2" x 1 1/4" Bolts
1 - Pass. Side Upright	4 - 1/2" x 1 1/2" Bolts
1 - Driver Top Bracket #77535-5	8 - 1/2" Flat Washers
1 - Pass. Top Bracket #77535-6	
1 - Driver Top Bracket #77536-5	
1 - Pass. Top Bracket #77536-6	<b>*May include extra hardware.</b>

## **Note: Completely read instructions before beginning installation!**

1. Remove the contents from the box and check for missing pieces or damage. If parts are missing or damaged, contact the original place of purchase.
2. Remove the factory bolts on the plastic grille using **Diagram 2**. Unclip the turn signal lights as shown in **Diagram 3**. Remove the factory bolt behind the light as shown in **Diagram 4**. Unplug the factory lights and set aside. Repeat procedure for passenger side. Remove the factory grill and set aside.
3. **For 1500 Vehicles:** Use driver top bracket #77535-5, passenger top bracket #77535-6. Place the driver top bracket #77535-5 behind the bumper as shown in **Diagram 5**. Remove the factory bolt on top of the frame. Place the bracket onto the hole and replace the factory bolt. Repeat the procedure for the passenger top bracket #77535-6.
4. **For 2500, 3500 Vehicles:** Use driver top bracket #77536-5, passenger top bracket #77536-6. Place the driver top bracket #77536-5 behind the bumper as shown in **Diagram 5**. Remove the factory bolt on top of the frame. Place the bracket onto the hole and replace the factory bolt. Repeat the procedure for the passenger top bracket #77536-6.
5. All 1500/2500/3500 vans use the same bottom brackets #77535-7 for driver and passenger side. Locate the factory bolt as shown in **Diagram 6**. Remove the factory bolt. Place the bracket onto the hole and replace the factory bolt as shown in **Diagram 7**.
6. Place the grille guard upright up to the brackets using (4) 1/2" x 1 1/2" bolts with (4) 1/2" flat washers to attach uprights to the brackets and leave loose.
7. Gently lower the grille guard ring into position onto the uprights as shown in **Diagram 1**. Each upright will get (2) - 1/2" x 1 1/4" bolts and (2) - 1/2" flat washers that will go through vertical plate on grille guard ring into upright. Hand tighten all bolts at this time.
8. Tighten all bolts starting with the bolt on vehicle first. Replace the factory grille and the turn signals.

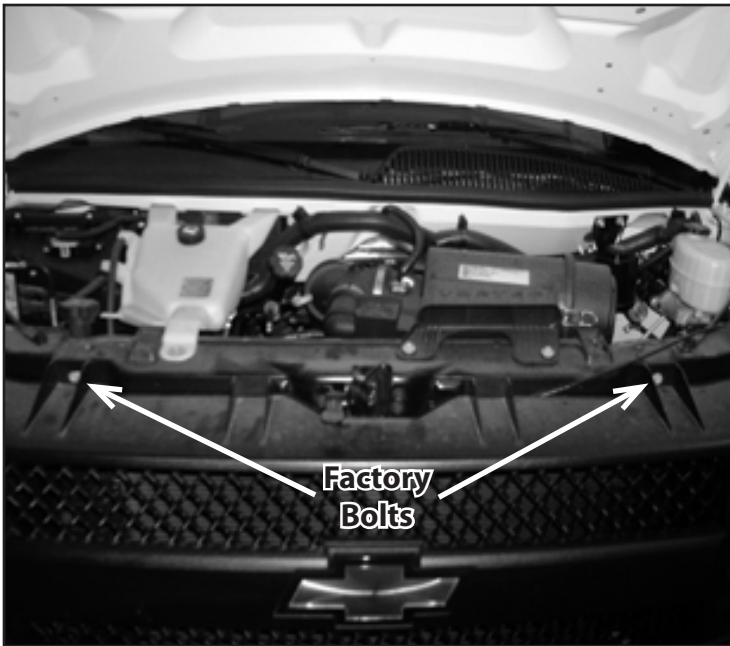
# Big Tex Grille Guard

Installation Instructions

## **77535 & 77535B**

Chevy Express Van 1500/2500/3500 '08 -'17  
 GMC Savanna Van 1500/2500/3500 '08 -'17

**View of Factory Bolts and Factory Grille**



**Diagram 2**

**View of Factory Lights**



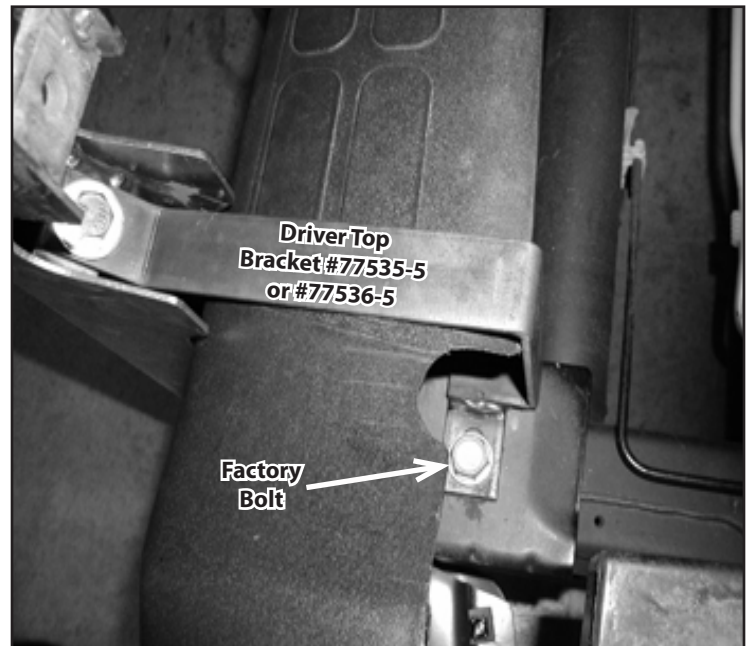
**Diagram 3**

**View of Factory Bolt to Remove**



**Diagram 4**

**View of Bumper with Driver Top Bracket #77535-5 or #77536-5**



**Diagram 5**

## Big Tex Grille Guard

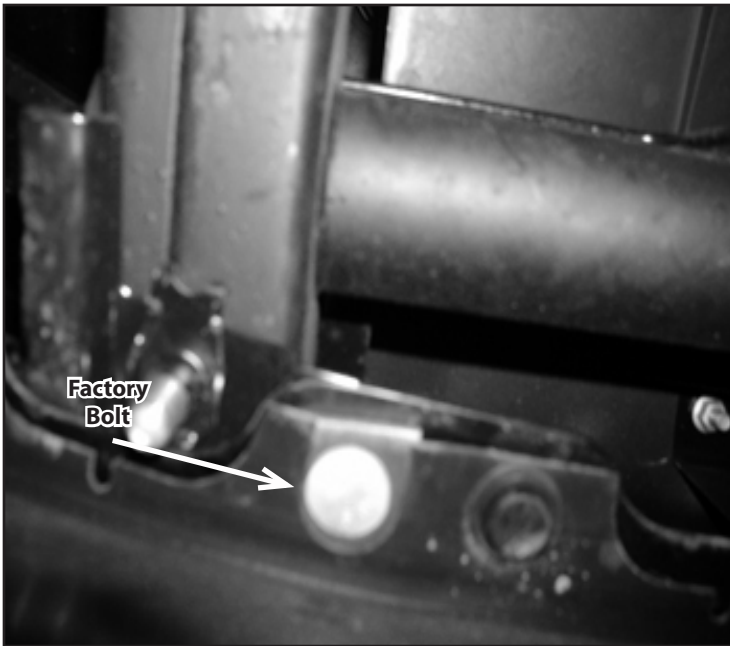
Installation Instructions

### **77535 & 77535B**

Chevy Express Van 1500/2500/3500 '08 -'17

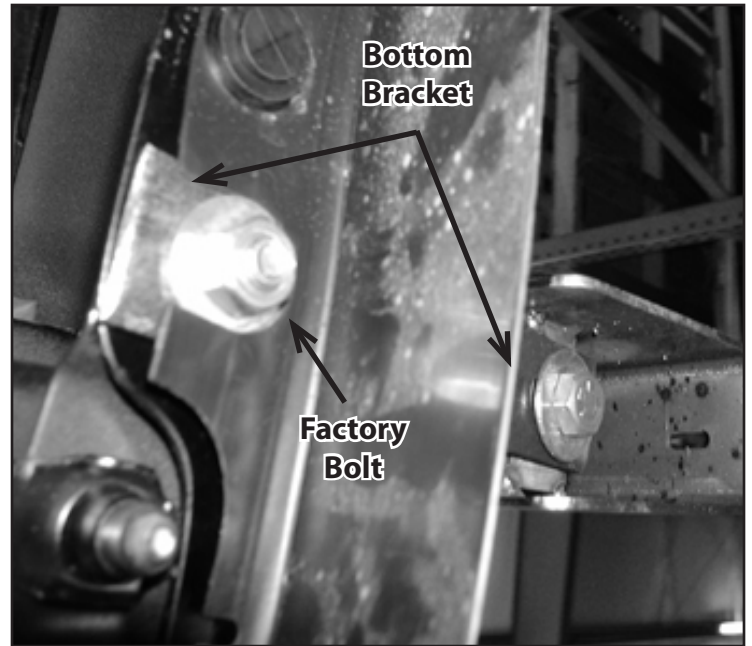
GMC Savanna Van 1500/2500/3500 '08 -'17

**View of Factory Bolt**



**Diagram 6**

**View of Bottom Bracket #77535-7**



**Diagram 7**