



420 N. Grove, Richardson, TX 75081
 Tele: (800) 527 - 4345 Fax: (800) 442 - 5263
 Web site: www.goindustries.com
 E-mail: sales@goindustries.com

Big Tex Grille Guard
 Installation Instructions
77607 / 77607B
 Toyota Tundra '00 - '02

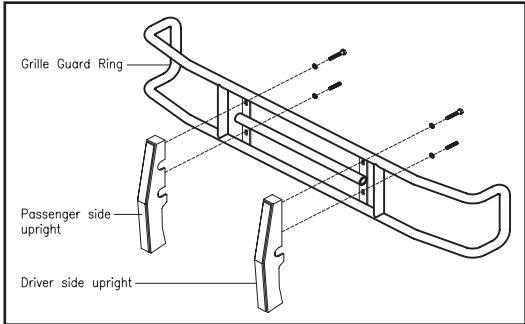


Diagram 1

Parts List:	
1 - Grille Guard Ring	8 - 1/2" x 1 1/2" HH Bolts
1 - Driver Side Upright	8 - 1/2" Flat Washers
1 - Passenger Side Upright	
1 - Driver Frame Bracket #607-7	
1 - Passenger Frame Bracket #607-8	

View of Driver Side

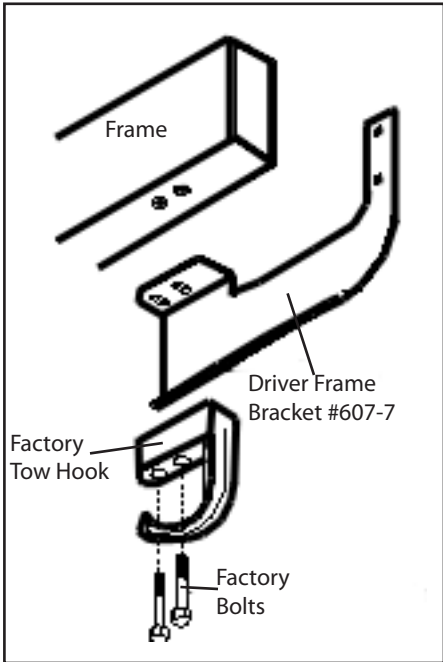


Diagram 2

1. Remove the contents from the box and check for missing pieces or damage. If parts are missing or damaged, contact the original place of purchase. Read the instructions completely before beginning. Two people are strongly recommended for this install.

2. Assemble the Grille Guard Ring and Uprights: See Diagram 1, assemble the Uprights to the Grille Guard Ring. Each upright will get (2) - 1/2" x 1 1/4" hex head bolts and (2) - 1/2" flat washers that will go through vertical plate on Grille Guard ring into upright. Hand tighten all bolts at this time.

3. Install the Driver Frame Bracket #607-7 & Passenger Frame Bracket #607-8: Using Diagram 2, locate tow hooks under the truck behind the bumper. Remove the 2 bolts holding tow hook to frame and place bent part of bracket to the frame. Replace factory bolts through tow hook and bracket into the frame. Do not tighten.

A. Repeat same procedure for passenger frame bracket #607-8. Do not tighten.

4. Attach the Grille Guard to the frame brackets #607-5 & #607-6: Using two people align the Grille Guard holes to the frame brackets #607-5 & 607-6. Attach the Grille Guard to brackets using (2) - 1/2" x 1 1/2" hex head bolts, (2) - 1/2" flat washers per side and hand tighten the bolts.

5. Center the Grille Guard on the vehicle: Center the Grille Guard on the vehicle. Tighten all bolts at this time insuring the Grille Guard remains centered on vehicle.