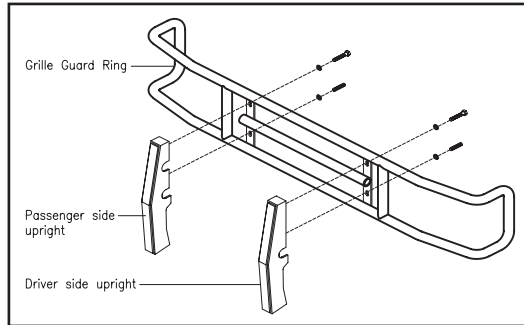


# Big Tex Grille Guard

Installation Instructions

## 77609 & 77609B

Toyota Tundra '10-'13



**Diagram 1**

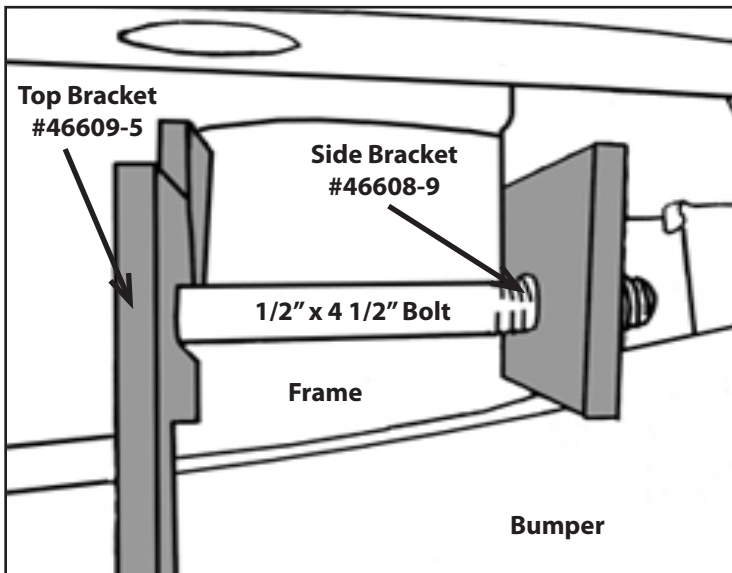
### Parts list:

1 - Grille Guard Ring	4 - 1/2" x 4" Bolts
1 - Driver Upright	8 - 1/2" x 1 1/4" Bolts
1 - Passenger Upright	20 - 1/2" Flat Washers
2 - Top Brackets #46609-5	12- 1/2" Lock Washers
2 - Bottom Brackets #77609-7	8 - 1/2" Hex Nuts
2 - Top Side Brackets #46608-9	

### **Note: Completely read instructions before beginning installation!**

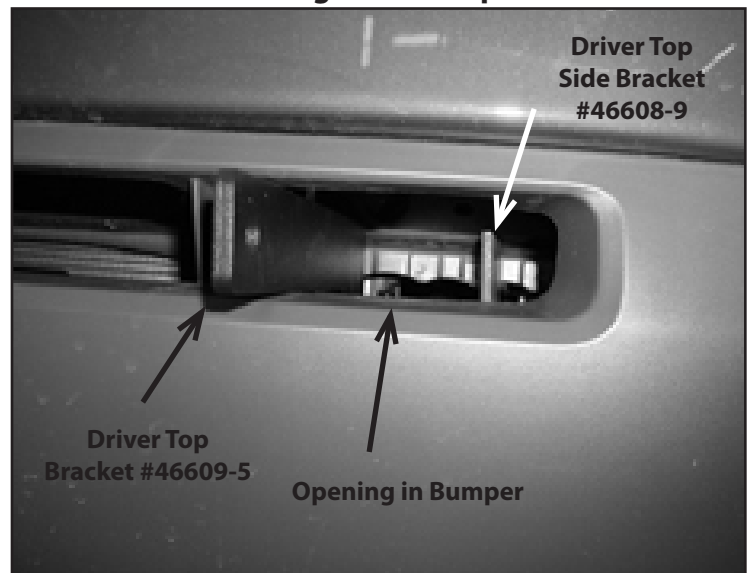
1. Remove the contents from the box and check for missing pieces or damage. If parts are missing or damaged, contact the original place of purchase. Two people are strongly recommended for this install.
2. **See Diagram 1**, assemble the Uprights to the Grille Guard Ring. Each upright will get (2) 1/2" x 1 1/4" bolts, (2) 1/2" flat washers and (2) 1/2" lock washers that will go through the vertical plate on Grille Guard ring into upright. Hand tighten all bolts at this time.
3. As shown in **Diagram 2 and 3**, place the top bracket #46609-5 through opening in bumper. **On some models the opening may need to be trimmed or an insert pushed out, refer to Diagram 6.** Turn the top bracket #46609-5 on its side and place to the inside of the frame. Place (1) 1/2" Flat Washer onto (2) 1/2" x 4" bolts, and place through the driver top bracket #46609-5 into side bracket #46608-9. Put (1) 1/2" flat washer, (1) 1/2" lock washer and (1) 1/2" hex nut onto the bolts in the top and bottom holes. Hand tighten at this time.

### Driver Side top of frame, with Brackets #46609-5 and #46608-9



**Diagram 2**

### Driver Side View of Top Bracket #46608-5 Through The Bumper



**Diagram 3**

## Big Tex Grille Guard

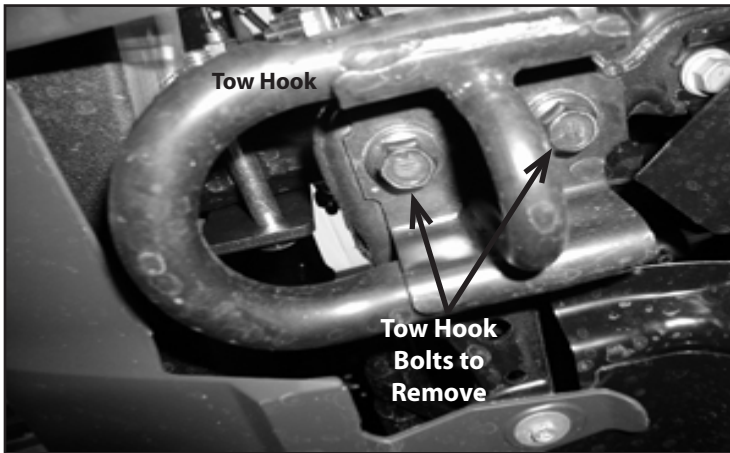
Installation Instructions

### **77609 & 77609B**

Toyota Tundra '10-'13

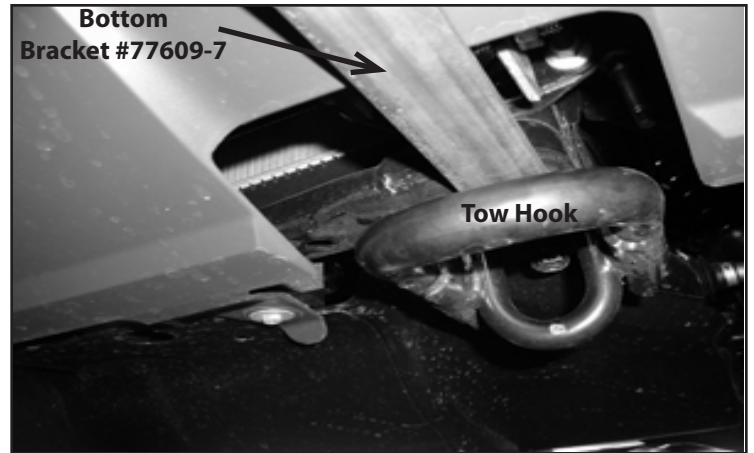
4. Using **Diagrams 4, and 5** remove the 2 bolts holding the tow hook. Place bottom bracket #77609-7 to the bottom of the frame. Replace factory bolts going through tow hook and into bottom bracket #77609-7. Hand tighten at this time.
5. Using two people align the Grille Guard holes to the top brackets. Attach the Grille to the brackets using (1) 1/2" x 1 1/4" bolt, (2) 1/2" flat washers, (1) lock washer, and (1) nut per hole in the uprights. Hand tighten all bolts at this time.
6. Center the Grille Guard on the vehicle. Tighten all bolts at this time insuring the Grille Guard remains centered on vehicle.

**Driver Side View of Tow Hook**



**Diagram 4**

**Driver Side View of Bottom Bracket #77609-7**



**Diagram 5**

**Front View of Truck**



**Diagram 6**