

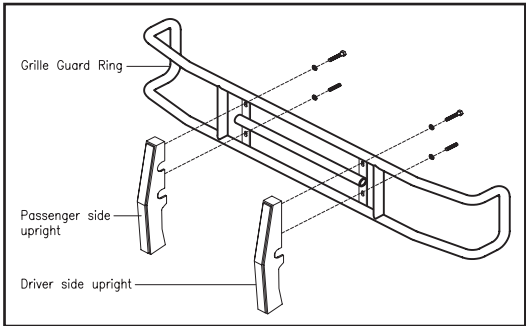
## Big Tex Grille Guard

Installation Instructions

**77613 & 77613B**

Dodge Ram 1500 '09 - '10

Except Sport



**Diagram 1**

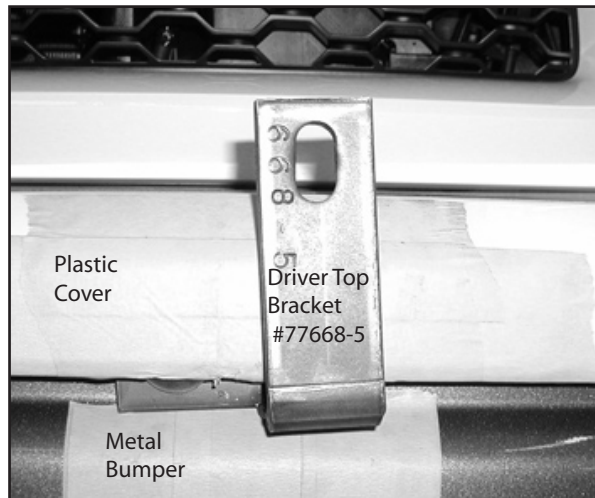
### Parts List:

1 - Grille Guard Ring	2 - 1/2" x 1 1/2" Carriage Bolts
1 - Driver Side Upright	4 - 1/2" Lock Washers
1 - Passenger Side Upright	6 - 1/2" Hex Nuts
1 - Driver Top Bracket #77668-5	8 - 1/2" x 1 1/2" HH Bolts
1 - Passenger Top Bracket #77668-6	14 - 1/2" Flat Washers
2 - Bottom Brackets #77668-7	

1. Remove the contents from the box and check for missing pieces or damage. If parts are missing or damaged, contact the original place of purchase. Read the instructions completely before beginning. Two people are strongly recommended for this install.

2. **Assemble the Grille Guard Ring and Uprights:** See **Diagram 1**, assemble the Uprights to the Grille Guard Ring. Each upright will get (2) - 1/2" x 1 1/4" hex head bolts and (2) - 1/2" flat washers that will go through the vertical plate on Grille Guard ring into upright. Hand tighten all bolts at this time.

### View of Driver Top Bracket #77668-5

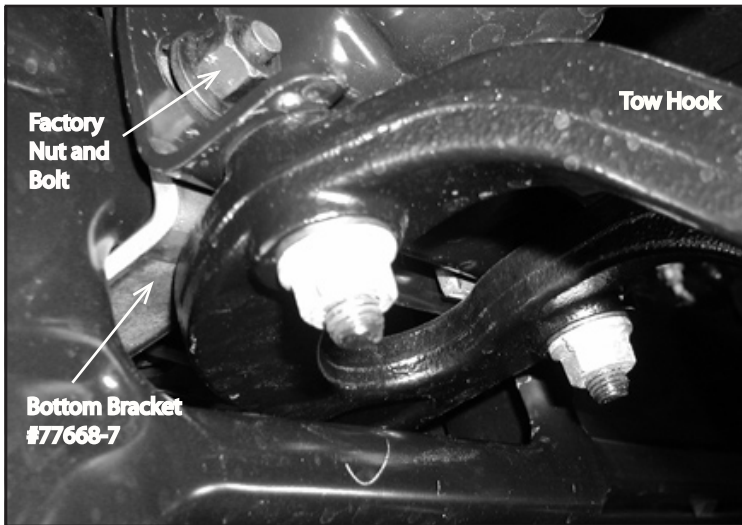


**Diagram 2**

3. **Install the driver top bracket #77668-5:** Using **Diagram 2**, locate the driver top bracket #77668-5. Place driver top bracket #77668-5 under the plastic cover as shown in **Diagram 2**. Place (1) 1/2" x 1 1/2" carriage bolt into bracket and into bumper. Place (1) 1/2" flat washer onto carriage bolt with (1) 1/2" hex nut behind the bumper. Hand tighten at this time.

A. Repeat the above procedure to install the passenger top bracket #77668-6.

**View of Bottom Bracket #77668-7 Behind the Bumper**



**Diagram 3**

**View of Bottom Bracket # 77668-7  
Through the Bumper**



**Diagram 4**

4. If vehicle is not equipped with tow hooks the middle plastic cover will have to be removed. To reinstall the plastic insert it will have to be trimmed for the brackets.
5. Using **Diagram 3**, to show the alignment of the bottom bracket #77668-7 to the end of the frame. Remove the factory bolt place bottom bracket #77668-7 up to the end of the frame. Replace the factory bolt and nut. Hand tighten at this time.
6. **Install the Big Tex Grille Guard to the brackets:** Using two people place the Big Tex Grille Guard up to the brackets. On the brackets use (4) 1/2" x 1 1/4" HH bolts with (1) 1/2" flat washer per bolt. Place the 1/2" x 1 1/4" HH bolt through the brackets into the holes in the upright. Hand tighten at this time.
7. **Center the Grille Guard on the vehicle.** Tighten the brackets to the vehicle first, then tighten all bolts on the Big Tex Grille Guard ensuring that the Big Tex Grille Guard remains centered on the vehicle.