



420 N. Grove, Richardson, TX 75081
 Tele: (800) 527 - 4345 Fax: (800) 442 - 5263
 Web site: www.goindustries.com
 E-mail: gosupport@goindustries.com

Big Tex Grille Guard

Installation Instructions

77618 / 77618B

Non-Wrap Style

Ford F-150 ('09-'11)

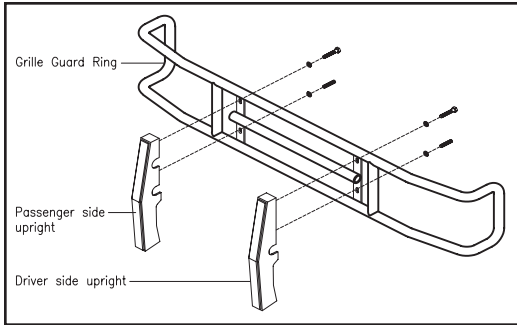


Diagram 1

Parts List:

- | | |
|-------------------------------------|----------------------------|
| 1 - Grille Guard Ring | 4 - 1/2" x 2" HH Bolts |
| 1 - Driver Side Upright | 8 - 1/2" x 1 1/2" HH Bolts |
| 1 - Passenger Side Upright | 8 - 1/2" Hex Nuts |
| 1 - Driver Side Bracket #46639-7 | 12 - 1/2" Lock Washers |
| 1 - Passenger Side Bracket #46639-8 | 20 - 1/2" Flat Washers |
| 2 - Clamp Bracket #46639-9 | |

Note: Completely read instructions before beginning installation

1. Remove the contents from the box and check for missing pieces or damage. If parts are missing or damaged, contact the original place of purchase. Please read the instructions completely before beginning installation. Two people are strongly recommended for this install.
2. Assemble the Grille Guard Ring and Uprights: Reference Diagram 1 to assemble the Uprights to the Grille Guard Ring. Each upright will get (2) 1/2" x 1 1/2" Hex Head Bolts and (2) 1/2" Flat Washers that will go through the vertical plate on Grille Guard ring and into upright. Hand tighten all bolts at this time.
3. If vehicle comes equipped with factory tow hooks they will have to be removed and discarded. The brackets are equipped with functional holes to be used as the tow hooks.
4. If the vehicle does not come equipped with tow hooks, the air dam will have to be cut. Using Diagram 2 and Diagram 3, measure 4 1/2" from the outside crease towards the middle of the vehicle and mark the down spoiler at that point. From there, measure 3 1/2" towards the middle of the vehicle once again and mark the spoiler at the point. Cut out the 3 1/2" box in the down spoiler as shown in Diagram 3 and repeat the above procedure for the passenger side of the vehicle.

View of Bumper on Vehicle

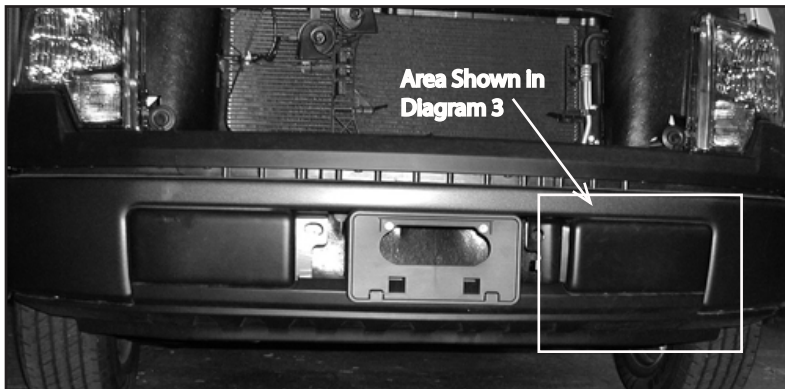


Diagram 2

Driver Side of Vehicle

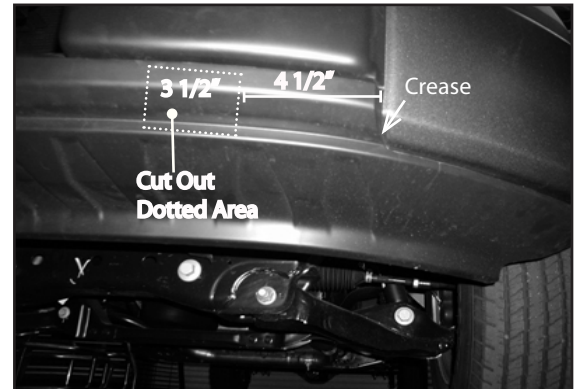


Diagram 3



420 N. Grove, Richardson, TX 75081
Tele: (800) 527 - 4345 Fax: (800) 442 - 5263
Web site: www.goindustries.com
E-mail: gosupport@goindustries.com

Big Tex Grille Guard

Installation Instructions

77618 / 77618B

Non-Wrap Style
Ford F-150 ('09-'11)

5. Install the Driver Bracket #46639-7 and Passenger Bracket #46639-8: Insert (1) Clamp Bracket #46639-9 into the frame and line up the holes on the frame with the holes on the Clamp Bracket. Using Diagram 4, place the Driver Bracket #46639-7 onto the bottom of the vehicle frame. Take (1) 1/2" x 2" HH Bolt with (1) 1/2" Flat Washer and put through the Driver Bracket #46639-7 and Clamp Bracket #46639-9. Hand tighten all bolts at this time and repeat above procedure to install the Passenger Bracket #46639-8.
6. Attach the Grille Guard to the mounting brackets: Using two people, align the Grille Guard holes to the top brackets attached to the frame. Attach the Grille Guard to the brackets using (1) 1/2" x 1 1/2" HH Bolt, (2) 1/2" Flat Washers, (1) 1/2" Lock Washer and (1) 1/2" Hex Nut per hole in the upright as shown in Diagram 5. Hardware can be installed with bolts facing out or in on the uprights per customers preference. Hand tighten all bolts at this time.
7. Center the Grille Guard on the vehicle: Center the Grille Guard on the vehicle and tighten all bolts at this time insuring the Grille Guard remains centered on vehicle.

View of Driver Bracket #46639-7



Diagram 4

View of Bracket to Upright



Diagram 5