

420 N. Grove, Richardson, TX 75081
 Tele: (800) 527 - 4345 Fax: (800) 442 - 5263
 Web site: www.goindustries.com
 E-mail: gosupport@goindustries.com

Big Tex Grille Guard

Installation Instructions

77619 / 77619B

No Exposed Welds - Non-Wrap Style

Ford Super Duty ('11)

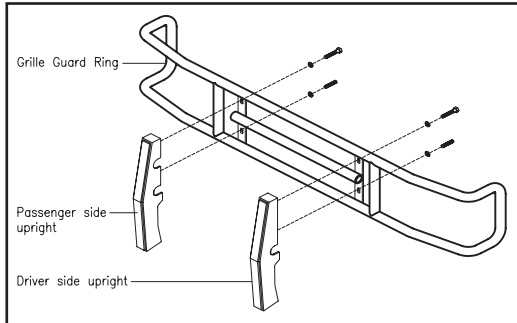


Diagram 1

Parts List:

- | | |
|--------------------------------------|--------------------------------------|
| 1 - Big Tex Grille Guard Ring | 1 - Driver Front Bracket #77644-5 |
| 1 - Driver Side Upright | 1 - Passenger Front Bracket #77644-6 |
| 1 - Passenger Side Upright | 4 - 1/2" x 2" HH Bolts |
| 1 - Driver Rear Brace #46644-11 | 6 - 1/2" x 1 1/2" HH Bolts |
| 1 - Passenger Rear Brace #46644-12 | 10 - 1/2" Hex Nuts |
| 1 - Driver Bumper Brace #46644-9 | 10 - 1/2" Lock Washers |
| 1 - Passenger Bumper Brace #46644-10 | 20 - 1/2 Flat Washers |

1. Remove the contents from the box and check for missing pieces or damage. If parts are missing or damaged, contact the original place of purchase. Please read the instructions completely before beginning installation. Two people are strongly recommended for this install.

View of Tow Hook Opening

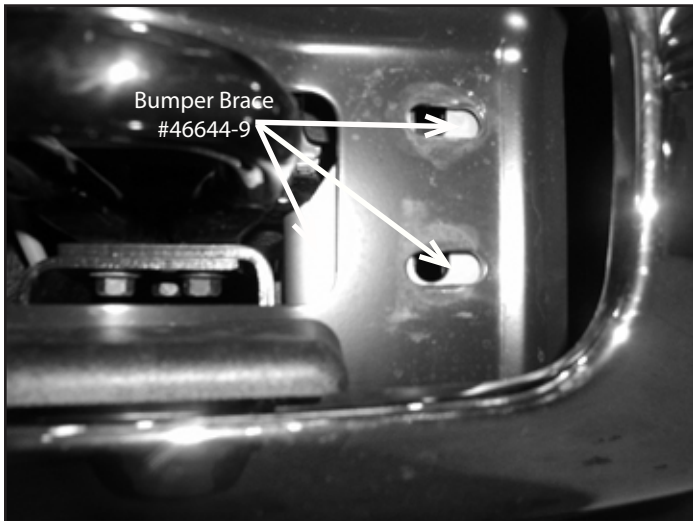


Diagram 2

View of Driver Bumper Brace #46644-9

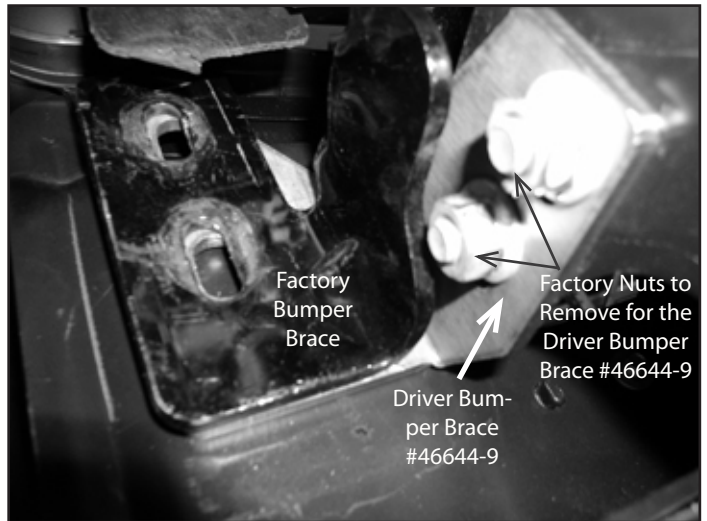


Diagram 3

2. As shown in Diagram 2, remove bumper bolts on both driver and passenger side and set aside (they will not be reused.) Remove the factory nuts and bolts as shown in Diagram 3. Place the Driver Bumper Brace #46644-9 between the bumper and the factory brace. As shown in Diagram 3, place Driver Bumper Brace #46644-9 up to the back of bumper and line up the 2 holes. Locate the two factory nuts in the frame that the Driver Bumper Brace #46644-9 will attach to and replace the factory nuts, as shown in Diagram 3. Repeat above procedure for the Passenger Bumper Brace #46644-10.

420 N. Grove, Richardson, TX 75081
 Tele: (800) 527 - 4345 Fax: (800) 442 - 5263
 Web site: www.goindustries.com
 E-mail: gosupport@goindustries.com

Big Tex Grille Guard

Installation Instructions

77619 / 77619B

No Exposed Welds - Non-Wrap Style
 Ford Super Duty ('11)

3. Install the Passenger Rear Brace #46644-12 as shown in Diagram 4. Remove the two factory screws from the bumper brace as shown in Diagram 4. Be sure to only remove one side at a time or the bumper will fall. Place the Passenger Rear Brace #46644-12 up to the bumper brace and replace the factory screws. Place (1) 1/2" x 2" HH Bolt with (1) 1/2" Flat Washer through the Front Bracket #77644-5 and through the bumper aligning the holes with the Passenger Bumper Brace #46644-10, the Passenger Rear Brace #46644-12 and the factory brace as shown in Diagram 4. The bumper will have to be raised to align all of the holes correctly. Place (1) 1/2" Flat Washer, (1) 1/2" Lock Washer and (1) 1/2" Hex Nut onto the 1/2" x 2" HH Bolt and tighten. Repeat procedure for all the holes. After all brackets are installed, raise the bumper and tighten all bolts.
4. Attach the Grille Guard to the mounting brackets: Using two people, align the Grille Guard holes to the top brackets and attach using (1) 1/2" x 1 1/2" HH Bolts, (2) 1/2" Flat Washers, (1) 1/2" Lock Washer and (1) 1/2" Hex Nut per hole in upright. Hand tighten all bolts at this time.
5. Center the Grille Guard on the vehicle: Center the Grille Guard on the vehicle and tighten all bolts at this time insuring the Grille Guard remains in place.

View of Passenger Rear Brace #46644-12

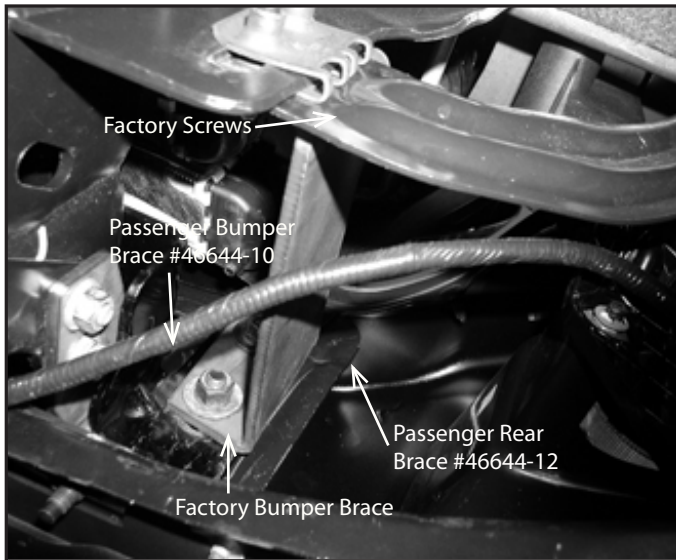


Diagram 4

View of Driver Front Bracket #77644-5

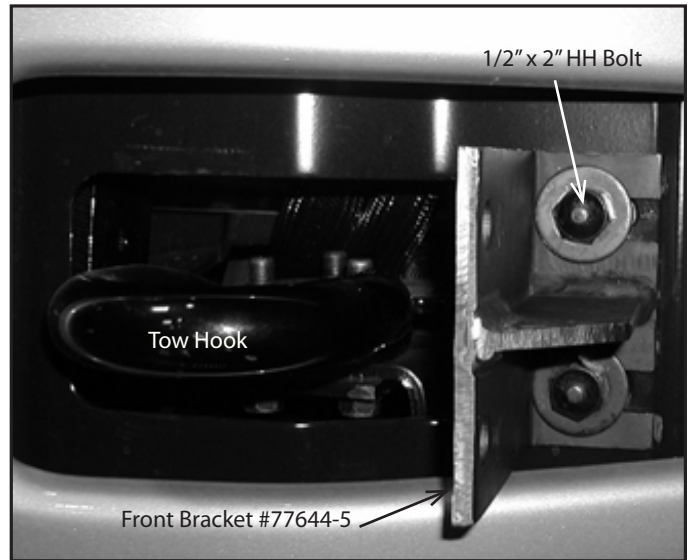


Diagram 5