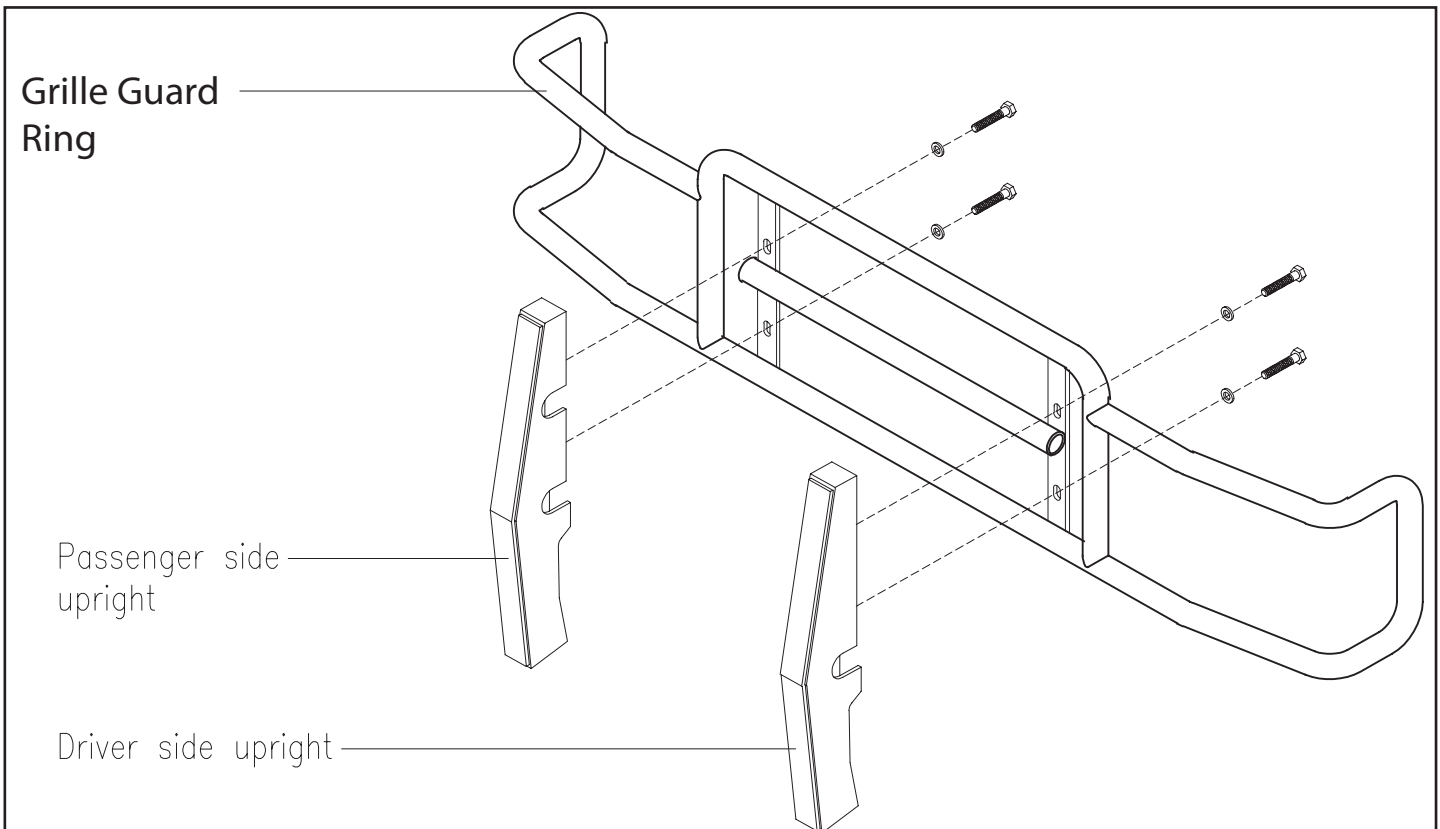


Big Tex Grille Guard

Installation Instructions

77647 / 77647B

Ford Super Duty 2017 - 2019



Parts List:

- 1) Grille Guard Ring
- 1) Upright (Driver)
- 1) Upright (Passenger)
- 2) Front Bracket #77647-5
- 2) Driver Rear Brace #46647-7
- 2) Pass. Rear Brace #46647-8
- 1) 77647 Hardware Kit

77647 Hardware Kit Contents:

- 4) 1/2" - 13 x 2.5" Hex Head Bolt (Clear Zinc)
- 8) 1/2" - 13 x 1.5" Hex Head Bolt (Clear Zinc)
- 4) 1/2" - 13 x 1.25" Hex Head Bolt (Clear Zinc)
- 28) 1/2" Flat Washers (Clear Zinc)
- 4) 1/2" Lock Washers (Clear Zinc)
- 12) 1/2" Nylon Locking Nuts (Clear Zinc)
- 4) 3/8" - 16 x 2" Hex Head Bolt (Clear Zinc)
- 8) 3/8" Flat Washers (Clear Zinc)
- 4) 3/8" Nylon Locking Nuts (Clear Zinc)

*May include extra hardware



420 N. Grove, Richardson, TX 75081
Tele: (800) 527 - 4345 Fax: (800) 442 - 5263
Web site: www.goindustries.com
E-mail: gosupport@goindustries.com

Big Tex Grille Guard

Installation Instructions

77647 / 77647B

Ford Super Duty 2017 - 2019

Note: Completely read instructions before beginning installation!

1. Remove the contents from the box and check for missing pieces or damage. If parts are missing or damaged, contact the original place of purchase.
2. Remove bumper bolts on driver side as shown in **Diagram 1**.
3. Install the driver side rear brackets #46647-7 (**Diagram 2**) as shown in **Diagram 4**. Start by removing the two factory bolts from the side bumper brace (circled in **Diagram 4**), and place the driver side rear bracket up to the bumper brace and replace the factory bolts with the 3/8" hardware utilizing (2) 3/8" x 2" bolts, (4) flat washers, and (2) 3/8" nylon locking nuts per side. Install the hardware loosely for adjustment.
4. Now you may install the remaining driver side rear bracket to the inside of the bumper with (2) 1/2" x 2 1/2" bolts inserted through 1 of the #77647-5 front brackets (**Diagram 3**) and into the previously removed bumper mounting bolt holes using (4) of the 1/2" flat washers, and (2) of the 1/2" nylon locking nuts. Once again leave loose for adjustment.
5. At this time bolt the 2 driver side rear brackets together as shown in **Diagram 4** with (2) 1/2" x 1 1/2" bolts, (4) 1/2" flat washers, and (2) nylon locking nuts and gradually tighten all hardware and repeat steps 2 - 5 on the passenger side.
6. Using (4) 1/2" x 1 1/2" bolts, (4) lock washers, and (4) flat washers, mount the grille guard ring to the uprights as shown in **Diagram 5**. Then using two people, align the Grille Guard mounting holes with the holes in the brackets mounted on the outside of the Grille Guard. Attach the grille guard to the brackets using (1) 1/2" x 1 1/4" bolts, (2) 1/2" flat washers, and (1) 1/2" nylon locking nut per hole through both the brackets and uprights.
7. Level and align the grille guard to the vehicle and gradually tighten all hardware to maintain this alignment.

Note: Re-check all hardware for proper tightness upon completion and periodically inspect hardware and parts for signs of wear throughout the life of the product

This installation requires loosening or replacing some of the bumper mounting hardware; this can cause the bumper to fall out of factory alignment. If the bumper becomes misaligned, realignment is needed.

420 N. Grove, Richardson, TX 75081
 Tele: (800) 527 - 4345 Fax: (800) 442 - 5263
 Web site: www.goindustries.com
 E-mail: gosupport@goindustries.com

Big Tex Grille Guard

Installation Instructions

77647 / 77647B

Ford Super Duty 2017 - 2019



Front Bumper Mounting Bolts

Diagram 1



Side Brackets (46647-7 shown) Diagram 2



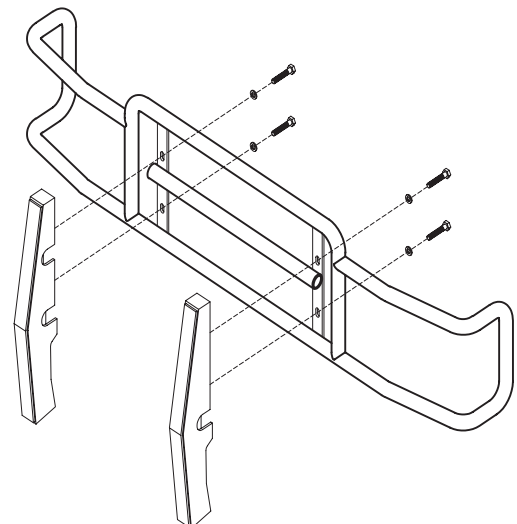
Front Brackets 77647-5

Diagram 3



46647-8 Brackets Installed

Diagram 4



General Assembly Diagram

Diagram 5