

Big Tex Grille Guard

Installation Instructions

77670 & 77670B

Dodge Ram 2500/3500 '10-'13

Dodge Ram Chassis Cab 3500/4500/5500 '11-'13

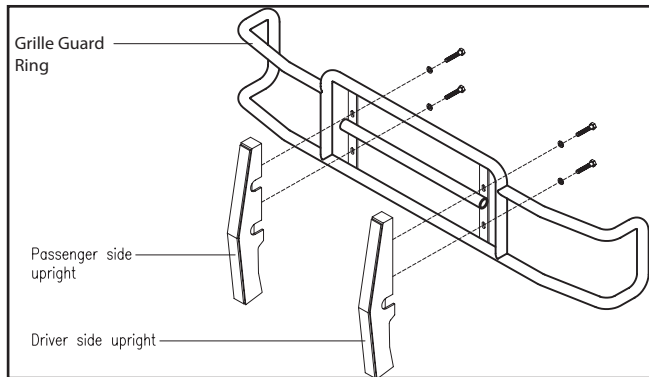


Diagram 1

Parts List:

- | | |
|--------------------------------|---------------------------|
| 1 - Grille Guard Ring | 6 - 1/2" Plastic Washers |
| 1 - Driver Side Upright | 6 - 1/2" Lock Washers |
| 1 - Passenger Side Upright | 8 - 7/16" x 1 3/4" Bolts |
| 1 - Driver Bracket #77669-5 | 16 - 7/16" Flat Washers |
| 1 - Passenger Bracket #77669-6 | 8 - 7/16" Nylon Lock Nuts |
| 10 - 1/2" x 1 1/4" Bolts | |
| 10 - 1/2" Flat Washers | |

***May include extra hardware.**

Note: Completely read instructions before beginning installation!

1. Remove the contents from the box and check for missing pieces or damage. If parts are missing or damaged, contact the original place of purchase.
2. If the truck not equipped with tow hooks skip to the next step. If the truck in equipped with tow hooks, remove the four bolts holding each tow hook in place and remove the tow hooks. These are shown in **Diagram 2**. Some chassis cab models may have tow hooks that are attached to the bottom of the frame. In this case follow the instructions for a no tow hook install.
3. Place the factory tow hook onto the driver side bracket #77669-5 and position bracket and tow hook onto the bumper, aligning the four holes. The bracket will be sandwiched between the bumper and tow hook. Using (4) 7/16" x 1 3/4" bolts, (8) 7/16" flat washers, and (4) 7/16" nylon lock nuts attach the bracket and tow hook to the bumper. If the truck is not equipped with tow hooks position the bracket onto the bumper aligning the four holes. Attach the bracket to the bumper using (4) 7/16" x 1 3/4" bolts, (8) 7/16" flat washers, and (4) 7/16" nylon lock nuts. Hand tighten at this time. Repeat the above procedure to install the passenger bracket #77669-6, as shown in **Diagrams 3 & 4**.
4. Place (1) 1/2" flat washer and (1) plastic washer onto (6) of the 1/2" x 1 1/4" bolts. Align the grille guard uprights to the brackets installed on the truck. Insert and the (6) bolts with washers through the side holes in the uprights and threading into the brackets inside the uprights. The plastic washers need to be between the uprights and the (1) 1/2" flat washers. Hand tighten at this time.
5. Assemble the uprights to the grille guard ring, using **Diagram 1** for reference. Each upright will get (2) - 1/2" x 1 1/4" bolts and (2) - 1/2" flat washers that will go through the vertical plate on grille guard ring and thread into upright. Hand tighten all bolts at this time.
6. Tighten the brackets to the vehicle first, then tighten all bolts on the grille guard ensuring that the grille guard remains centered on the vehicle.

Big Tex Grille Guard

Installation Instructions

77670 & 77670B

Dodge Ram 2500/3500 '10-'13

Dodge Ram Chassis Cab 3500/4500/5500 '11-'13

View of Driver Side Tow Hook

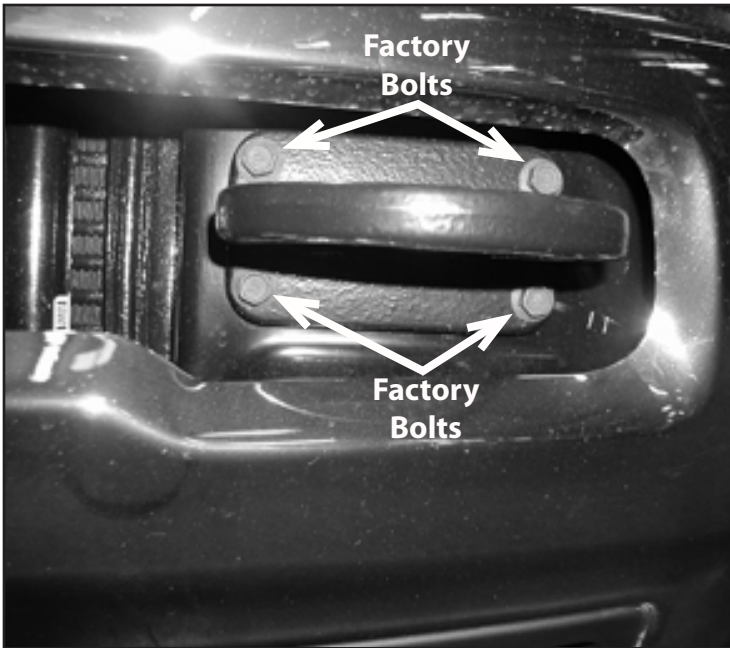


Diagram 2

View of Factory Nuts Behind The Bumper



Diagram 3

View of Driver Bracket #77669-6 Attached



Diagram 4