

Big Tex Grille Guard

Installation Instructions

77671 / 77671B

Dodge Ram 1500

'13 - '17

Grille Guard Will Interfere with Front Parking Sensors.

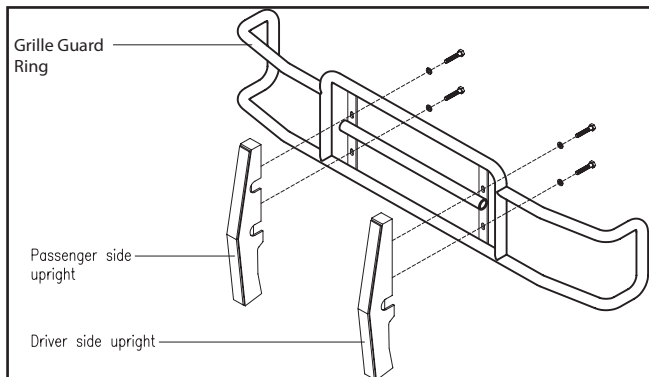


Diagram 1

Parts List:

1 - Grille Guard Ring	12 - 1/2" x 1 1/2" Bolts
1 - Driver Side Upright	20 - 1/2" Flat Washers
1 - Passenger Side Upright	4 - 1/2" Lock Washers
1 - Driver Main Bracket #46671-15	4 - 1/2" Plastic Washers
1 - Pass. Main Bracket #46671-16	8 - 1/2" Nylon Lock Nuts
2 - Braces #46671-9	
2 - M12-1.5 x 50mm Bolts	
2 - M12 Flat Washers	* May include extra hardware
2 - M12 Lock washers	

Note: Completely read instructions before beginning installation!

1. Remove the contents from the box and check for missing pieces or damage. If parts are missing or damaged, contact the original place of purchase.
2. The black panels in the tow hook pocket areas, shown in **Diagram #4**, need to be removed. If the truck does not have tow hooks there will be solid filler panels, if the vehicle has tow hooks they will be the black plastic surround of the tow hook area. Loosen the four attaching bolts on each panel from the backside of the bumper. Once the bolts are removed the panels can be slide towards the center of the truck and removed. These panels will not be reused. On Sport, Express or models with a plastic bumper cover the panel will need to be either removed or trimmed for the brackets to pass through, this is shown in **Diagram #5**.
3. If the vehicle has tow hooks, as shown in **Diagram #6**, they will need to be removed. The factory towhook mount/brace will need to be removed at this point also. These items will not be reused. If the truck does not have tow hooks remove the (2) nuts as shown in **Diagram #7**.
4. Place the driver front bracket #33671-15 (shown in **Diagram #3**) into the opening as shown in **Diagrams #8, #9 and #10**.
5. Place brace #33671-9, shown in **Diagram #2**, onto the factory bolts and replace the factory nuts. Align the brace #33671-9 with the 2 holes on the driver side bracket #33671-15 as shown in **Diagrams #8 and #9**. Use (2) 1/2" x 1 1/2" bolts with (4) 1/2" flat washers, and (2) 1/2" nylon lock nuts. Align the rear hole on the front driver bracket #33671-15 with the drop down coming off of the bottom of the frame (where the factory tow hooks were mounted). Place (1) M12 lock washer and (1) M12 flat washer onto (1) M12-1.50 x 50mm bolt. Place the M12 bolt with washers through the bracket and tread into the frame dropdown. Repeat the above procedure for the passenger side bracket #33671-16, shown in **Diagram #3**. Do not fully tighten the hardware at this time.
6. Place (1) 1/2" flat washer onto (4) 1/2" x 1 1/2" bolts. Place the grille guard uprights up to the mounting brackets. The brackets will mount to the inside of the uprights facing each other, shown in **Diagram #10**. Insert (1) of the 1/2" bolts with washer into each of the four mounting holes connecting the grille guard to the brackets. Place (1) 1/2" flat washer and (1) 1/2" nylon lock nut onto each of the four bolts. The bolts or nuts can be placed on the inside of the uprights, as the installers choice.
7. Assemble the uprights to the grille guard ring, using **Diagram #1** for reference. Each upright will get (2) 1/2" x 1 1/2" bolts, (2) 1/2" flat washers, and (2) 1/2" lock washers that will go through the vertical plate on grille guard ring and thread into upright. Hand tighten all bolts at this time.
8. Tighten the brackets to the vehicle first, then tighten all bolts on the grille guard ensuring that the grille guard remains centered on the vehicle.

Big Tex Grille Guard

Installation Instructions

77671 / 77671B

Dodge Ram 1500

'13 - '17

Brackets #46671-9



Diagram 2

Brackets #46671-15 & 16



Diagram 3

Tow hook Pocket Panels Removed



Diagram 4

Plastic bumper Front View

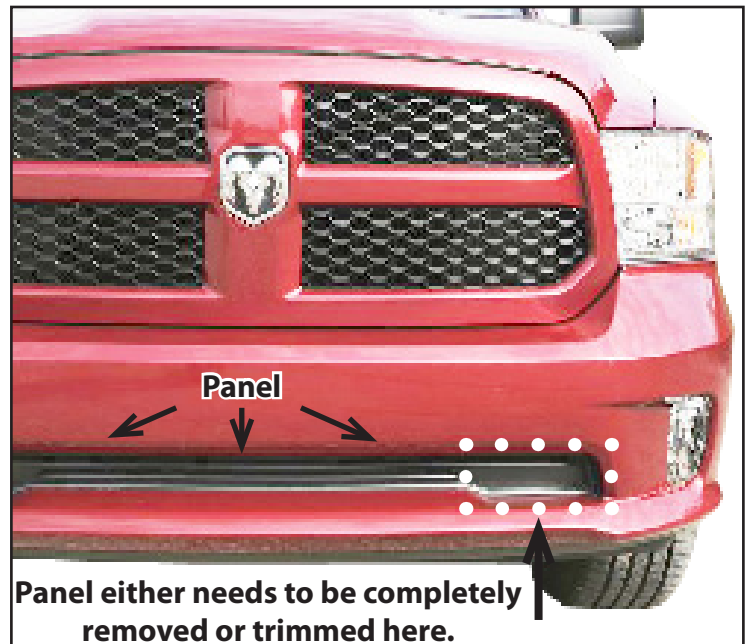


Diagram 5

Big Tex Grille Guard

Installation Instructions

77671 / 77671B

Dodge Ram 1500

'13 - '17

Driver Side Tow Hook, Tow Hook Bracket and Bumper Bolt

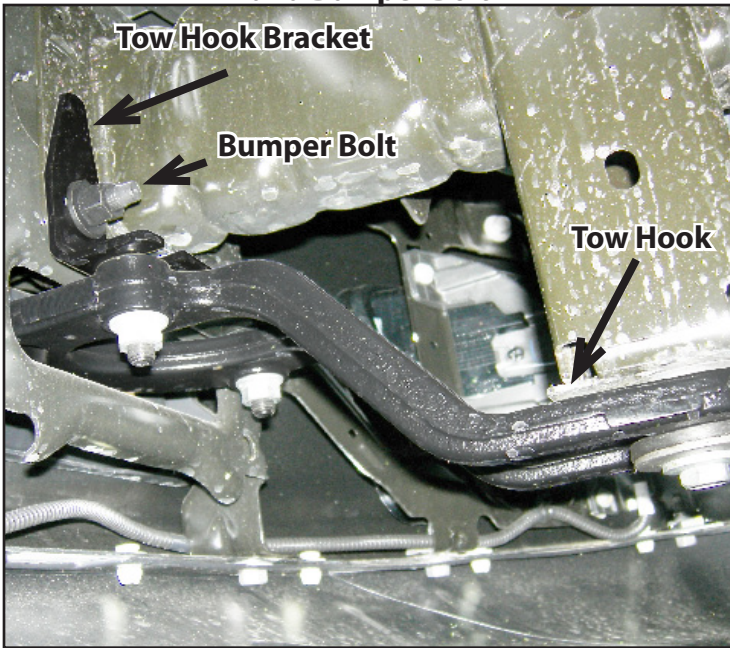


Diagram 6

Rear View of Driver Side Without Tow hooks

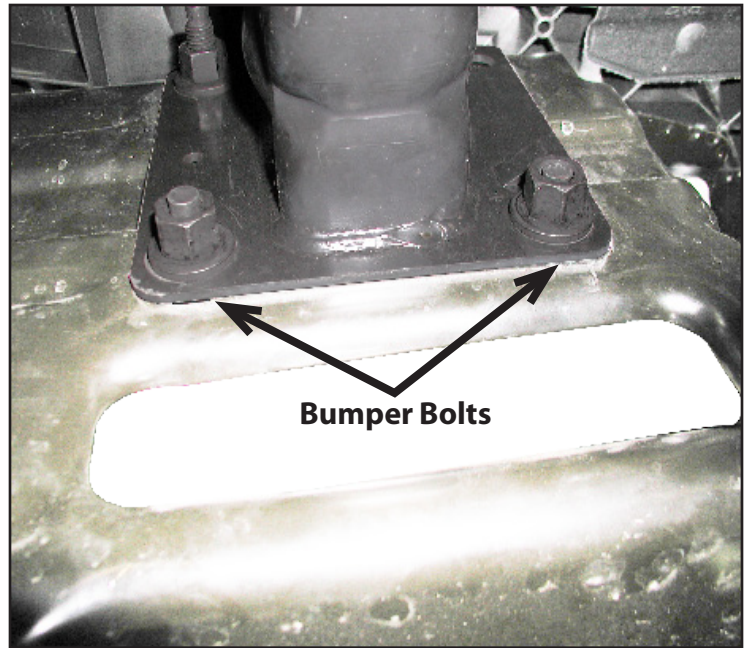


Diagram 7

Rear View of Driver Side Brackets #46671-9 and #46671-15 Installed

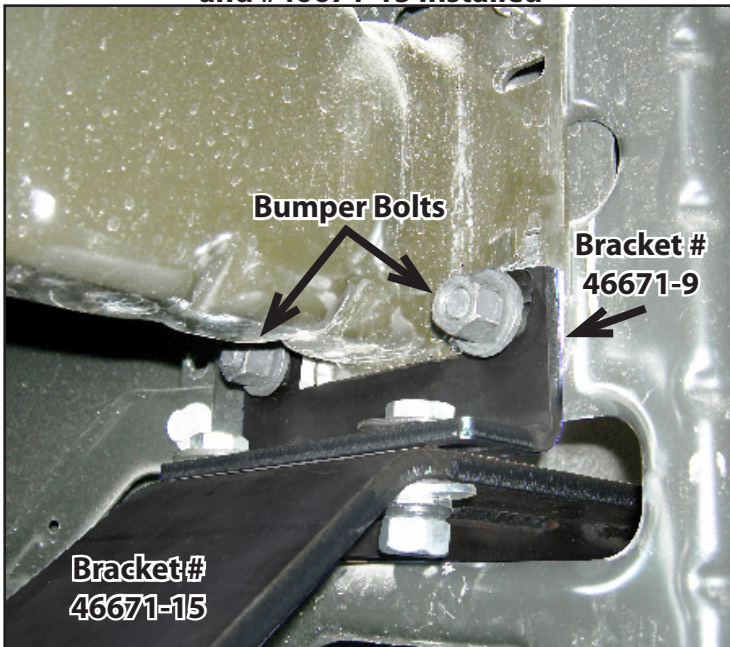


Diagram 8

Rear View of Driver Side Brackets #46671-9 and #46671-15 Installed

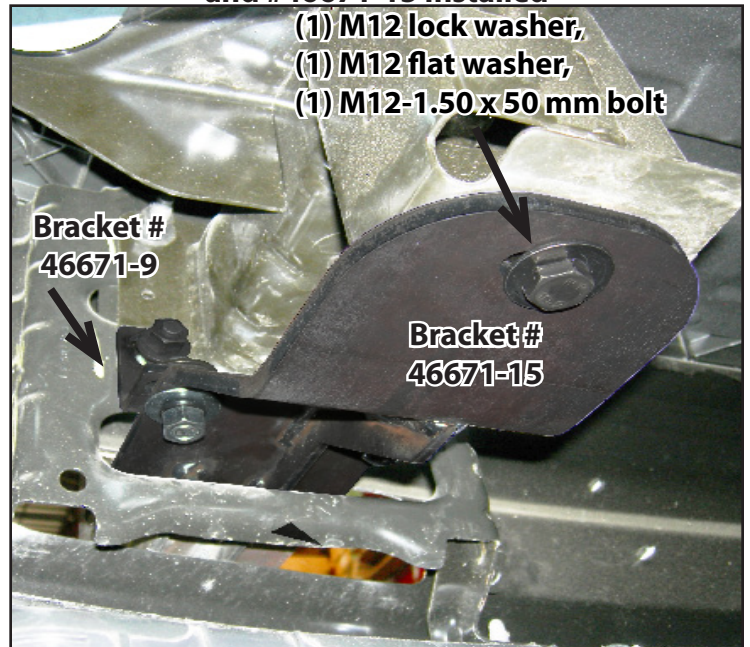


Diagram 9



420 N. Grove, Richardson, TX 75081
Tele: (800) 527 - 4345 Fax: (800) 442 - 5263
Web site: www.goindustries.com
E-mail: gosupport@goindustries.com

Big Tex Grille Guard

Installation Instructions

77671 & 77671B

Dodge Ram 1500

'13 - '17

Driver Side Front View of Bracket #46671-15 With Upright



Diagram 10