

Big Tex Grille Guard

Installation Instructions

77726 / 77726B

Chevy Avalanche 1500 w/o body hardware '03 - '06

77731 / 77731B

Chevy Silverado 1500/1500HD/2500 '03 - '07

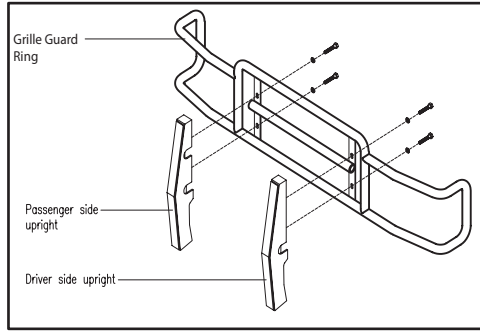


Diagram 1

Parts List:

- | | |
|----------------------------------|-------------------------------|
| 1 - Grille Guard Ring #694 | 2 - HD Bottom Brackets #720-9 |
| 1 - Driver Side Upright | 2 - Threaded Plates #699-9 |
| 1 - Passenger Side Upright | 6 - 1/2"-13 x 1 1/4" Bolts |
| 2 - Top Brackets #726-5 | 2 - 1/2"-13 x 3/4" Bolts |
| 1 - Driver Bottom Bracket #726-7 | 2 - M12-1.75 x 50mm Bolts |
| 1 - Pass. Bottom Bracket #726-8 | 10 - 1/2" Flat Washers |

Note: Completely read instructions before beginning installation!

1. Remove the contents from the box and check for missing pieces or damage. If parts are missing or damaged, contact the original place of purchase. Two people are strongly recommended for this install.
2. Using Diagram 1, assemble the Uprights to the Grille Guard Ring using 1/2" x 1 1/4" hex head bolts and 1/2" washers, hand tighten the bolts at this time.
3. Open the hood on the truck. Using Diagram 2, locate the factory radiator cover. To remove the pop rivets, use a flat head screwdriver to pull up on the middle of the pop rivets. To remove the bottom part of pop rivet, place the screwdriver under the bottom and push up. Repeat this procedure to remove all pop rivets. To remove the factory grille, place your hand behind grille and push out until the grille can be removed. Place the factory radiator cover, pop rivets and factory grille to the side to be re-installed later.
4. Locate the Top Bracket #726-5 for installation at this time. Remove the factory bumper bolt as shown in Diagram 3. Place the Top Bracket #726-5 over the opening. Replace the factory bumper bolt through the top bracket and into the bolt hole opening. Hand tighten this bolt at this time. Repeat on the passenger side to install the Passenger Top Bracket #726-5. Measure from middle of driver side bracket to middle of passenger side bracket and make sure it measures 30". Make sure brackets are square with bumper and tighten both bumper bolts.

View of Factory Grille Removal

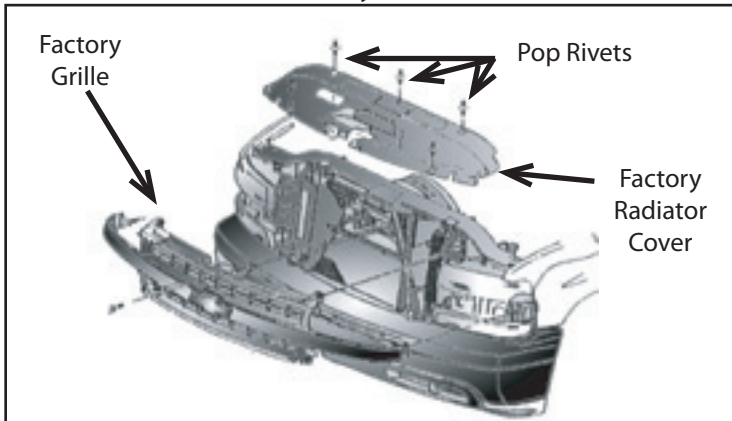


Diagram 2

Driver Side Top View of Top Bracket #726-5

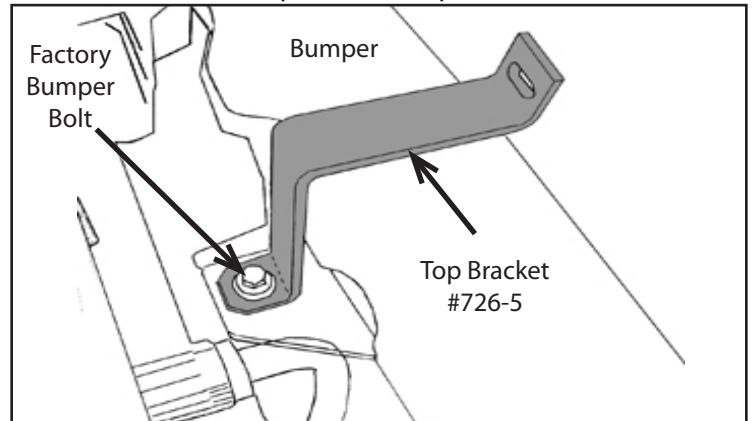


Diagram 3

Big Tex Grille Guard

Installation Instructions

77726 / 77726B

Chevy Avalanche 1500 w/o body hardware '03 - '06

77731 / 77731B

Chevy Silverado 1500/1500HD/2500 '03 - '07

Tow Hook Opening Cover Driver Side

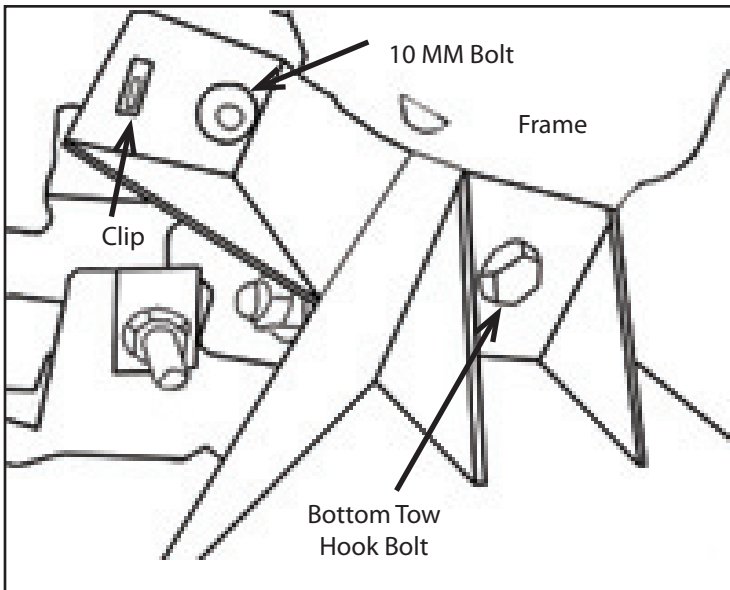


Diagram 4

Front View of Driver Bottom Bracket #726-7 Attached to Upright

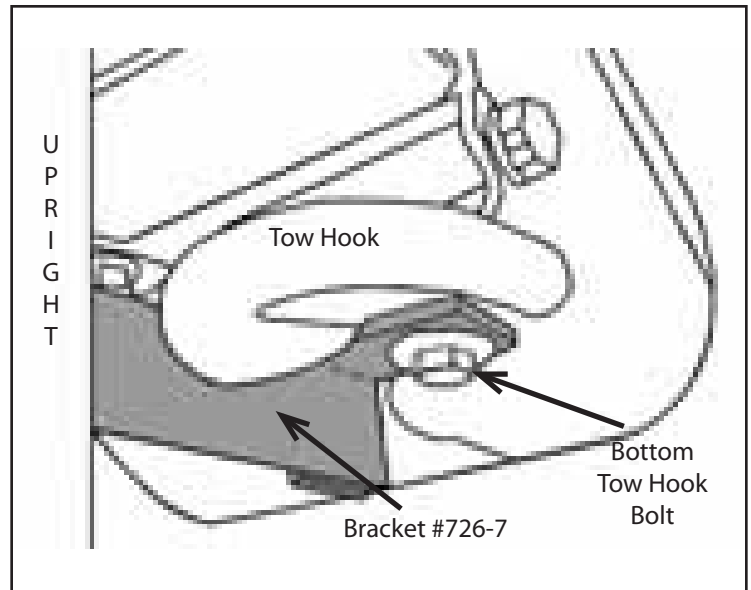


Diagram 5

5. Remove the tow hook opening cover located behind the bumper. Remove the two 10mm bolts located on either side of the frame. Unclip the cover as shown in Diagram 4. Remove the cover by pulling it away from the frame. Some cutting will be necessary to put tow hook opening cover back onto frame.

6. For 1500 vehicles Install the Bottom Brackets #726-7: Locate the Bottom Brackets #726-7 for installation at this time.

A. Vehicles with tow hooks: If the vehicle is equipped with tow hooks, locate the bottom bolt on tow hook. Loosen the bottom bolt and remove. Place flat end of Bottom Brackets #726-7 up to bottom bolt opening and replace the factory bolt with M12 x 2" hex head bolt as shown in Diagram 5. Hand tighten all bolts at this time.

B. Vehicles without tow hooks: If the vehicle is not equipped with tow hooks, the plastic spoiler must be cut out for the bottom bracket to pass through. Align the bottom bracket with the inside hole on the frame and place bottom bracket against the plastic spoiler and mark the area to be cut. Carefully cut a slot for the bottom bracket to pass through the spoiler to the Grille Guard. Use threaded plate #699-9 to take place of tow hook. Place bracket #699-9 inside the frame and line up the threaded hole in the bracket #699-9 with the inside hole of frame. Place bottom bracket up to frame use a 1/2" x 3/4" hex head bolt and attach bottom bracket to threaded plate. Hand tighten all bolts at this time.

Big Tex Grille Guard

Installation Instructions

77726 / 77726B

Chevy Avalanche 1500 w/o body hardware '03 - '06

77731 / 77731B

Chevy Silverado 1500/1500HD/2500 '03 - '07

View of Bracket #720-9

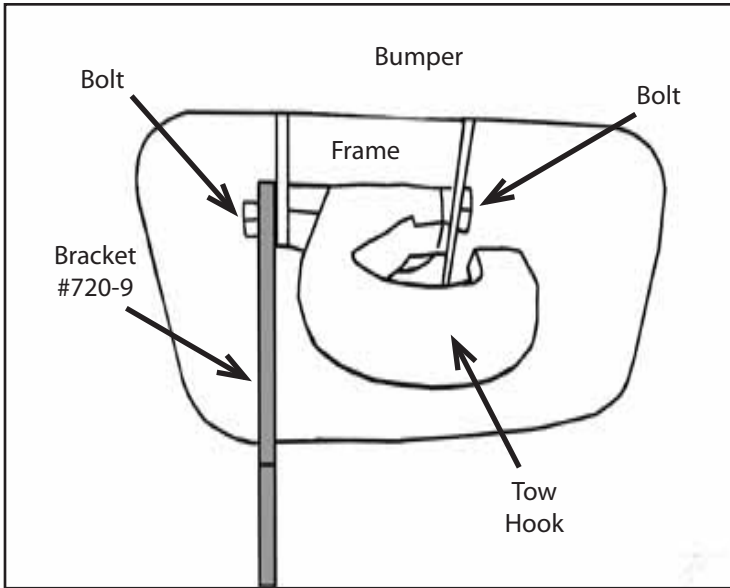


Diagram 6

Front View of Driver Bottom Bracket #726-7 Attached to Upright

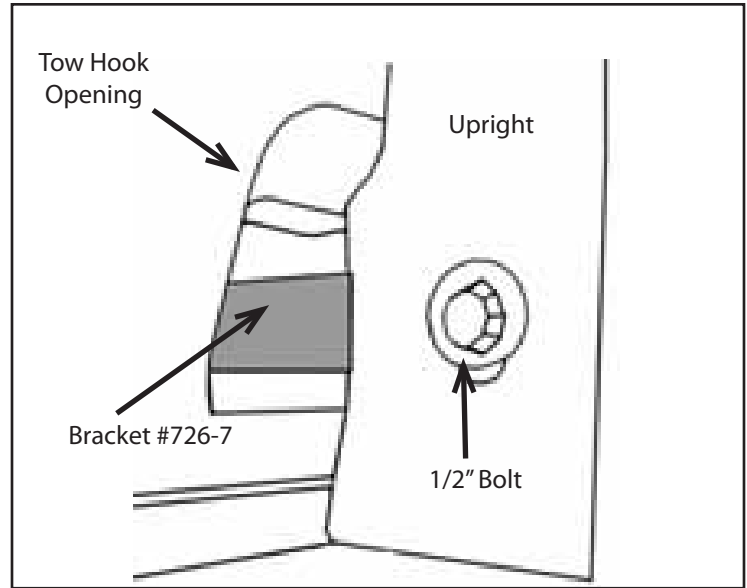


Diagram 7

7. For 1500HD/2500 nonHD Install the Bottom Brackets #720-9: Locate the Bottom Brackets #720-9 for installation at this time.

A. Vehicles with tow hooks: If the vehicle is equipped with tow hooks, locate the inside bolt on tow hook. Loosen the inside bolt and remove. Place flat end of Bottom Brackets #720-9 up to inside bolt opening and replace the factory bolt with M12 x 50mm hex head bolt as shown in Diagram 6. Hand tighten all bolts at this time.

B. Vehicles without tow hooks: If the vehicle is not equipped with tow hooks, the plastic spoiler must be cut out for the bottom bracket to pass through. Align the bottom bracket with the inside hole on the frame and place bottom bracket against the plastic spoiler and mark the area to be cut. Carefully cut a slot for the bottom bracket #720-9 to pass through the spoiler to the Grille Guard. Place bracket #699-9 inside the frame and line up the threaded hole in bracket #699-9 with the inside hole of frame. Place bottom bracket up to frame use a 1/2" x 3/4" hex head bolt and attach bottom bracket to threaded plate. Hand tighten all bolts at this time.

8. Re-install Factory Grille and Factory Radiator Cover. Align Factory grille with holes in vehicle, gently push Factory Grille until it clicks closed. Take radiator cover and place it over the holes in vehicle. Replace pop rivets into vehicle.

9. Using two people align the Grille Guard holes to the top brackets. Attach the Grille to the top brackets using (4) 1/2" x 1 1/4" hex head bolts, 1/2" flat washers (2), per hole. Attach the lower brackets to the uprights as shown in Diagram 7.

10. Center the Grille Guard on the vehicle. Tighten all bolts at this time insuring the Grille Guard remains centered on vehicle.