

Big Tex Grille Guard

Installation Instructions

77732 & 77732B

Silverado/Classic '03 - '07 2500HD/3500

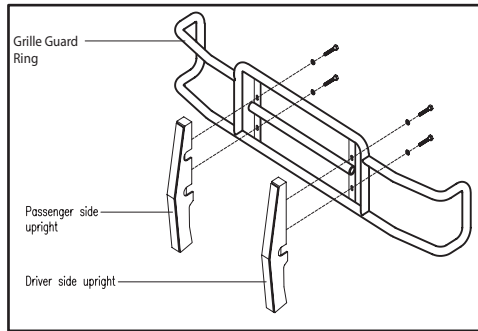


Diagram 1

Parts List:

1 - Grille Guard Ring #731	6 - 1/2"-13 x 1 1/4" Bolts
1 - Driver Side Upright	2 - 1/2"-13 x 3/4" Bolts
1 - Passenger Side Upright	2 - M12-1.75 x 50mm Bolts
2 - Top Brackets #727-5	10 - 1/2" Flat Washers
2 - Bottom Brackets #724-7	

Note: Completely read instructions before beginning installation!

1. Remove the contents from the box and check for missing pieces or damage. If parts are missing or damaged, contact the original place of purchase. Two people are strongly recommended for this install.
2. Using **Diagram 1**, assemble the Uprights to the Grille Guard Ring using 1/2" x 1 1/4" hex head bolts and 1/2" washers on the top holes only at this time. Hand tighten the bolts at this time.
3. Open the hood on the truck. Using **Diagram 2**, locate the factory radiator cover. To remove the pop rivets, use a flat head screwdriver to pull up on the middle of the pop rivets. To remove the bottom part of pop rivet, place the screwdriver under the bottom and push up. Repeat this procedure to remove all pop rivets. To remove the factory grille, place your hand behind grille and push out until the grille can be removed. Place the factory radiator cover, pop rivets and factory grille to the side to be re-installed later.
4. Locate the Top Bracket #727-5 for installation at this time. Remove the factory bumper bolt as shown in **Diagram 3**. Place the Top Bracket #727-5 over the opening. Replace the factory bumper bolt through the top bracket and into the bolt hole opening. Hand tighten this bolt at this time. Repeat on the passenger side to install the Passenger Top Bracket #727-5. Measure from middle of driver side bracket to middle of passenger side bracket and make sure it measures 30". Make sure brackets are square with bumper and tighten both bumper bolts.

View of Factory Grille Removal

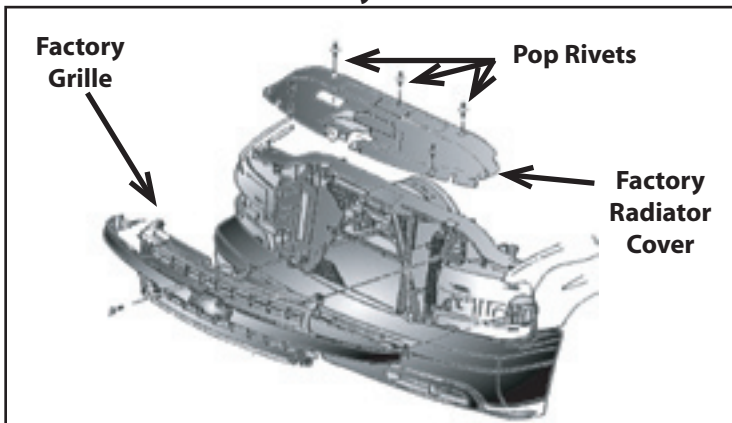


Diagram 2

Driver Side Top View of Top Bracket #727-5

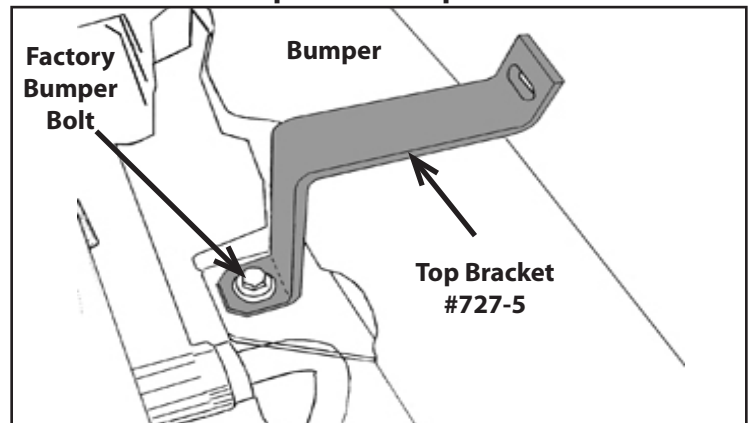


Diagram 3

Big Tex Grille Guard

Installation Instructions

77732 & 77732B

Silverado/Classic '03 - '07 2500HD/3500

Front View of Driver Bottom Bracket #724-7

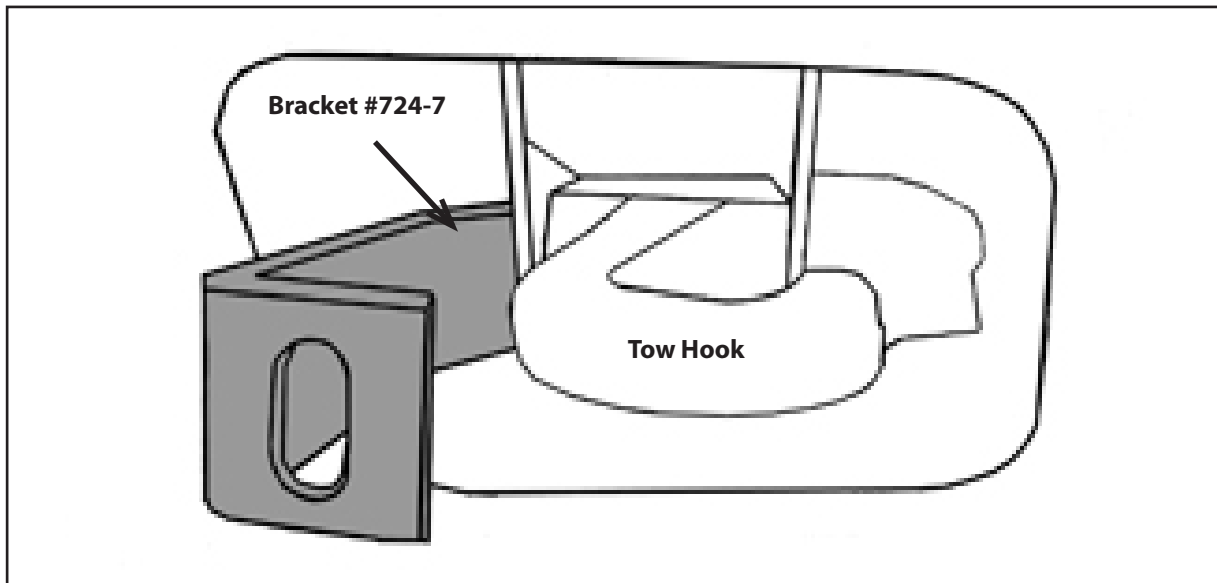


Diagram 4

3. Locate the Bottom Brackets #724-7 for installation at this time.

A. **Vehicles with tow hooks:** If the vehicle is equipped with tow hooks, locate the inside bolt on tow hook. Loosen the inside bolt and remove. Place flat end of Bottom Brackets #724-7 up to inside bolt opening and replace the factory bolt with M12 x 50mm hex head bolt as shown in **Diagram 4**. Hand tighten all bolts at this time.

B. **Vehicles without tow hooks:** If your vehicle is not equipped with tow hooks, contact manufacturer for additional hardware.

4. Re-install Factory Grille and Factory Radiator Cover. Align Factory grille with holes in vehicle, gently push Factory Grille until it clicks closed. Take radiator cover place over holes in vehicle. Replace pop rivets into vehicle.

5. Using two people align the Grille Guard holes to the brackets. Attach the Grille to the top brackets using 1/2" x 2" hex head bolts, 1/2" flat washers (2), per hole in upright. Hand tighten all bolts at this time.

6. Center the Grille Guard on the vehicle. Tighten all bolts at this time insuring the Grille Guard remains centered on vehicle.