

Big Tex Grille Guard

Installation Instructions

77733 / 77733B

Chevy Tahoe '07-'14

Chevy Avalanche '07-'14

Chevy Suburban 1500 '07-'14

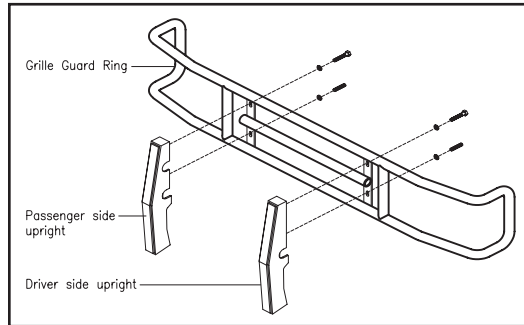


Diagram 1

Parts List:

1 - Grille Guard Ring	4 - 1/2" x 5 1/2" Bolts
1 - Driver Side Upright	10 - 1/2" x 1 1/4" Bolts
1 - Passenger Side Upright	10 - 1/2" Lock Washers
1 - Driver Side Bracket #46737-7	24 - 1/2" Flat Washers
1 - Pass. Side Bracket #46737-8	10 - 1/2" Nuts

Some models without tow hooks, will require the plastic tow hook pocket to be trimmed for bracket clearance.

Note: Completely read instructions before beginning installation!

1. Remove the contents from the box and check for missing pieces or damage. If parts are missing or damaged, contact the original place of purchase. Two people are strongly recommended for this install.
2. Assemble the Uprights to the Grille Guard Ring, referring to **Diagram 1**. Each upright will get (2) 1/2" x 1 1/4" bolts, (2) 1/2" flat washers and (2) 1/2" lock washers that will go through the vertical plate on Grille Guard ring into upright. Hand tighten all bolts at this time.
3. Using **Diagram 2**, remove the two factory bolts from both tow hooks and set aside. Remove the plastic cover on tow hook opening, shown in **Diagram 2 and 3**. It is rare, but some vehicles may require slight trimming on the top of the pocket for brackets clearance. If the vehicle does not have tow hooks then continue to step 4.

Vehicle with Tow Hooks

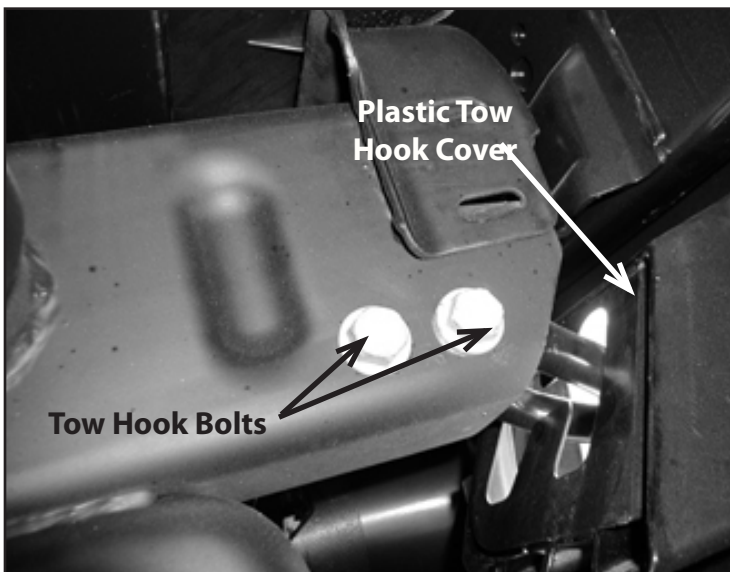


Diagram 2

View of the Front Tow Hooks

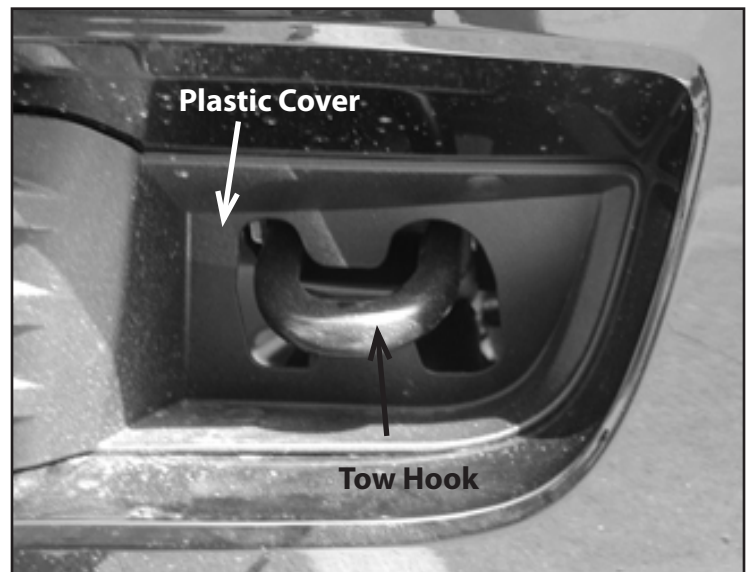


Diagram 3

Big Tex Grille Guard

Installation Instructions

77733 / 77733B

Chevy Tahoe '07-'14

Chevy Avalanche '07-'14

Chevy Suburban 1500 '07-'14

4. Using **Diagram 4**, on passenger side use Bracket #46737-7 and place bracket through tow hook opening. Align the front hole on bracket with hole in frame. Use the (1) 1/2" x 5 1/2" bolt with (1) 1/2" washer next to the bolt head. Insert (1) 1/2" x 5 1/2" bolt through bracket and frame until the bolt comes out of the frame and the bracket. Place (1) 1/2" flat washer, (1) 1/2" lock washer and (1) 1/2" nut onto bolt. Leave loose at this time. Repeat procedure for driver side bracket #46737-8.
5. Use two people to hold Grille Guard up to mounting brackets. Align the three holes on each mounting bracket with the three holes on each upright. The uprights will be placed on the outside of the mounting brackets. Using (1) 1/2" x 1 1/4" bolt with (2) 1/2" flat washers, (1) 1/2" lock washers and (1) 1/2" hex nut to attach the Grille Guard to the mounting brackets. If the vehicle does not come with tow hooks, use the same bolts to attach the bottom two holes on Grille Guard. Hand tighten all bolts and nuts.
6. If tow hooks will be used, place the tow hook in the end of bracket with tow hook pointed down. Use (1) 1/2" x 5 1/2" bolt, (1) 1/2" flat washer with the head of bolt coming from the outside to the inside of the bracket. Place (1) 1/2" flat washer, (1) 1/2" lock washer and (1) 1/2" nut onto threaded end of bolt and only hand tighten. Use the small factory bolt to attach tow hook to the bracket. On driver side bracket one of the bottom holes will not have a bolt. Use (1) 1/2" x 1 1/4" bolt with (2) 1/2" flat washers, 1/2" lock washer and 1/2" nut to attach bracket to upright.
7. First tighten the main bracket bolts (1/2" x 5 1/2"). Next, tighten the bottom bolt on bracket until it is snug. Do not over tighten the bottom bolt. Tighten all bolts attaching the Grille Guard to the brackets last.

Passenger Main Bracket #46737-8 Behind Bumper

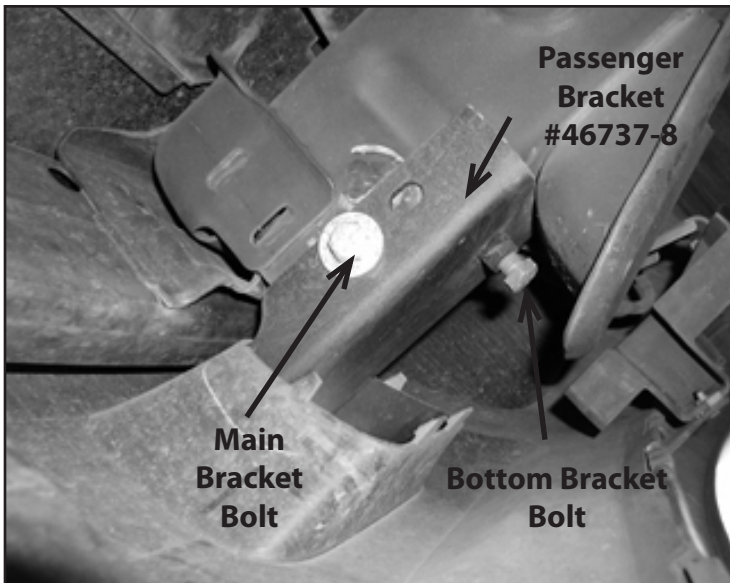


Diagram 4

Driver Main Bracket #46737-7 and Upright

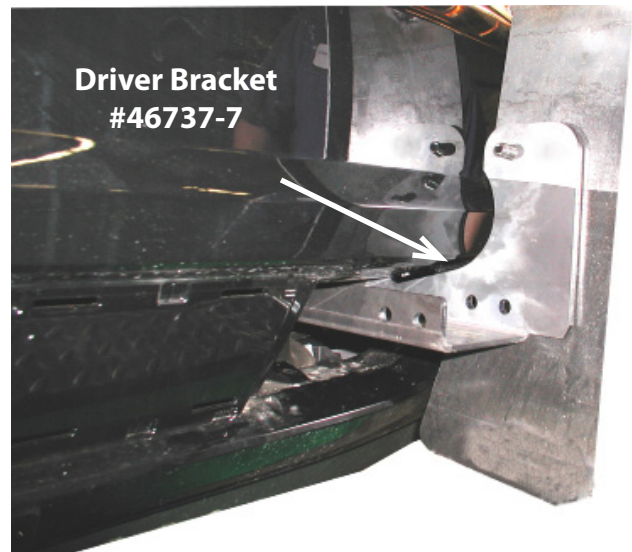


Diagram 5