

Quad-Guard

Installation Instructions

32663

Dodge Ram 2500/3500 '06 - '09

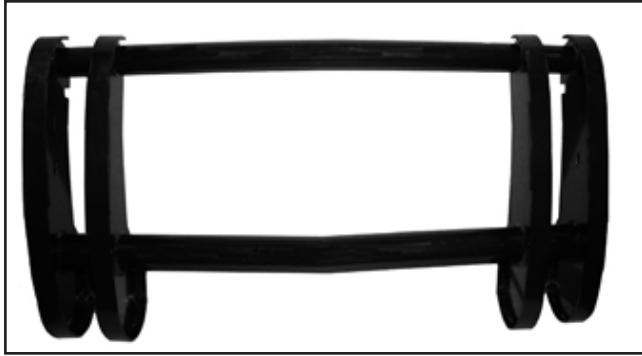


Diagram 1

Parts List:

- | | |
|---------------------------------------|-------------------------|
| 1 - Quad Grille Guard | 8 - 1/2" x 1 1/2" Bolts |
| 1 - Driver Side Top Bracket #46662-5 | 16 - 1/2" Flat Washers |
| 1 - Pass. Side Top Bracket #46662-6 | 8 - 1/2" Lock Washers |
| 1 - Driver Side Btm. Bracket #46662-7 | 8 - 1/2" Nuts |
| 1 - Pass. Side Btm. Bracket #46662-8 | |
- *May include extra hardware.

Note: Completely read instructions before beginning installation!

1. Remove the contents from the box and check for missing pieces or damage. If parts are missing or damaged, contact the original place of purchase.
2. Open the hood on the truck. Using **Diagram 2**, locate the bumper bolt on each side of the vehicle. Remove the nut from the bolt.
3. Place Driver Top Bracket #46662-5 onto bumper bolt. The end of the Driver Top Bracket #46662-5 (**Diagram 3**) with the 90 degree bend will go onto bumper bolt. Replace nut and hand tighten at this time. Repeat step for the passenger side using Top Bracket #46662-6.

View Behind Bumper (Driver Side)

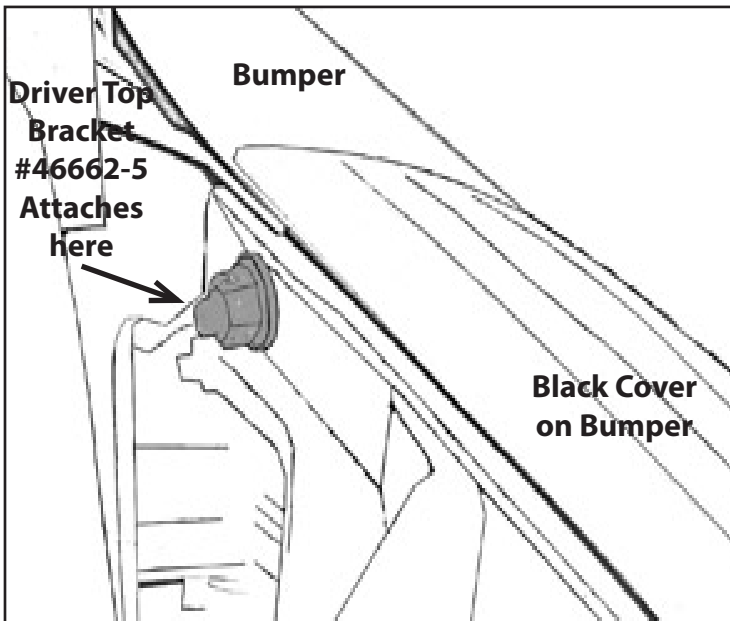


Diagram 2

Driver Side Top Bracket #46662-5

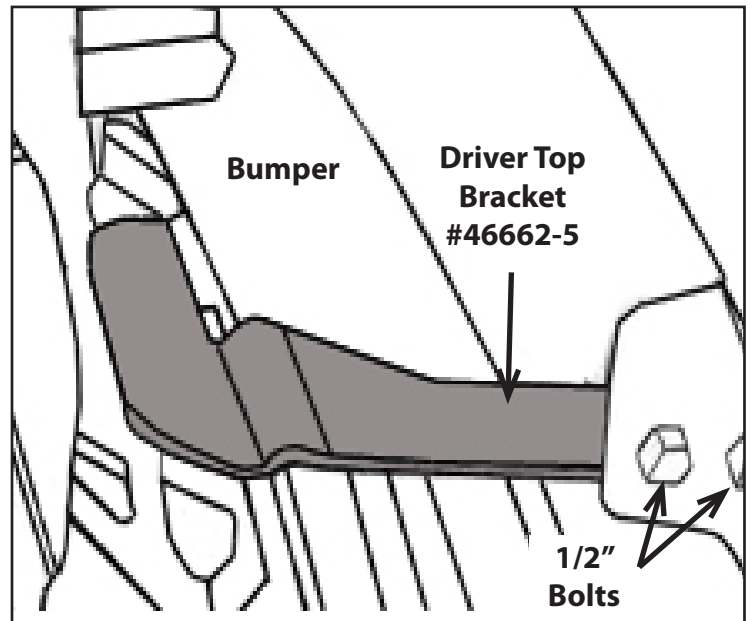


Diagram 3

Quad-Guard

Installation Instructions

32663

Dodge Ram 2500/3500 '06 - '09

- Using **Diagram 4**, locate the factory bottom bumper bolt on the vehicle. Remove the factory nut from the factory bottom bumper bolt. Place bottom bracket #46662-8 onto the factory bottom bumper bolt. Re-place the factory nut over the bottom bracket. Repeat the procedure for the driver bottom bracket #46662-7.
- Using two people align the bolt holes in the vertical uprights to the top brackets. Attach the Quad Guard to the top and bottom brackets using (4) 1/2" x 1 1/2" bolts, (8) 1/2" flat washers, (4) 1/2" lock washers and (4) 1/2" nuts per welded tab.
- Tighten all bolts at this time insuring the Quad Guard remains centered on vehicle.

**Behind Bumper View of Passenger
Bottom Bracket #46662-8**

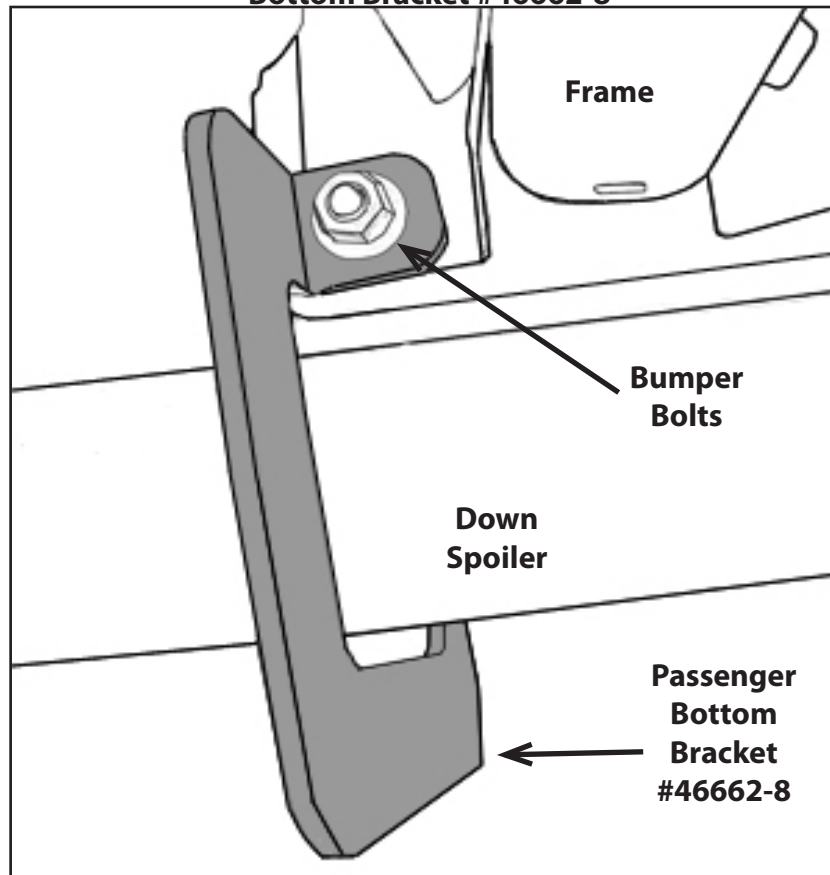


Diagram 4