

Winch Carrier

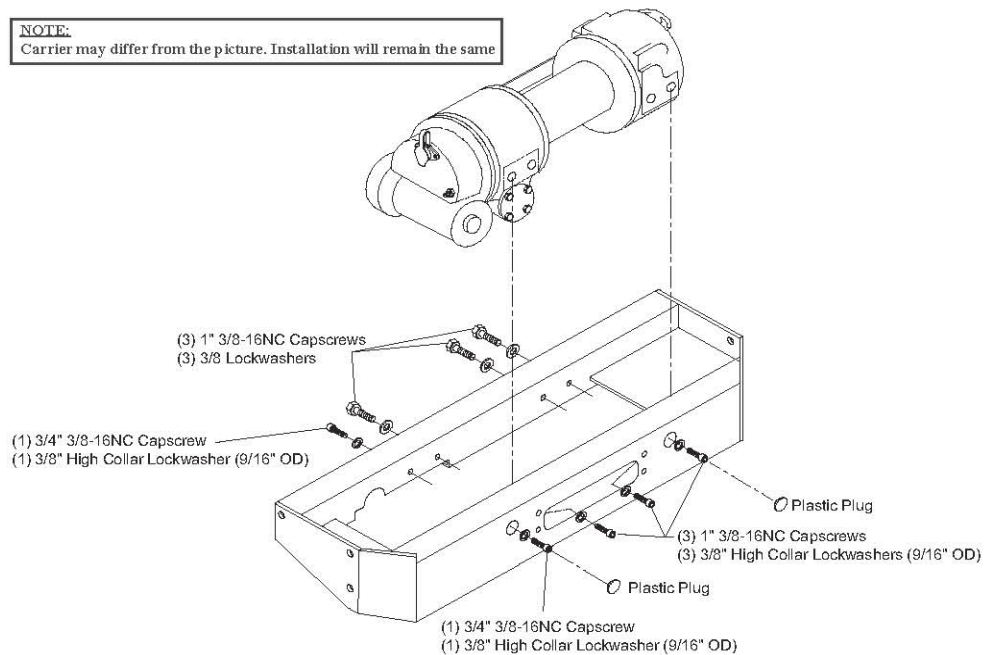
Installation Instructions

33602

Remove shipping strap and hardware from winch assembly and discard. Place the winch into the mounting channel.

At the front of the winch, secure to the mounting channel using (3) 3/8-16NC x 1" Socket head Capscrews with (3) High Collar Lockwashers and (1) 3/8-16NC x 3/4" Capscrews with (1) High Collar Lockwasher as shown at right. The two (2) outer-most capscrews are inserted through holes in the front of the mounting frame and threaded into winch. The two (2) inner-most capscrews are placed through the fairlead opening and threaded into winch. **Do not tighten.**

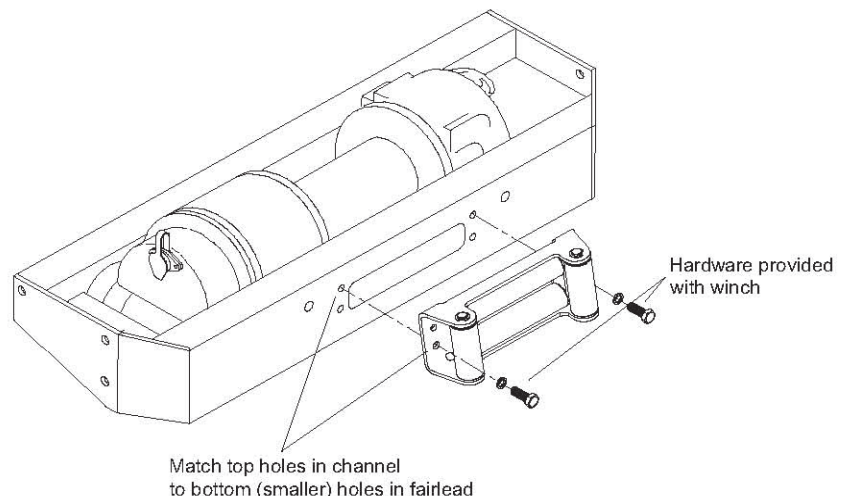
NOTE:
Carrier may differ from the picture. Installation will remain the same



At the back of the winch, secure to the mounting channel using (3) 3/8-16NC x 1" Hex head Capscrews with (3) standard lockwashers and (1) 3/8-16NC x 3/4" Capscrews with (1) High Collar Lockwasher. **Do not tighten.**

Once winch is secure into the mounting channel, **tighten front hardware to 34 ft-lbs. torque, then tighten back hardware.** Snap plastic plugs into outer-most holes in front of assembly.

Install fairlead to mounting channel using hardware supplied with winch. Align top holes in mounting channel with the bottom holes (smaller holes) in the fairlead as shown at right. Tighten to 34 ft-lbs. torque.



420 N. Grove, Richardson, TX 75081
 Tele: (800) 527 - 4345 Fax: (800) 442 - 5263
 Web site: www.goindustries.com
 E-mail: gosupport@goindustries.com

Winch Carrier

Installation Instructions

33602

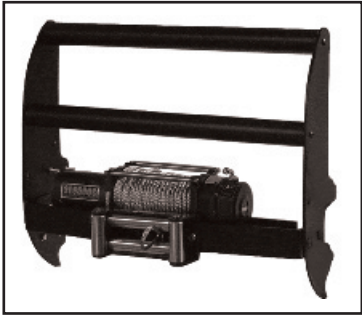


Diagram 1

Parts List:	
1 - Winch Carrier	6 - 1/2" Hex Nuts
2 - License Plate Brackets	4 - 1/4" x 3/4" Bolts
6 - 1/2" x 1 1/2" Carriage Bolts	4 - 1/4" Hex Locking Nuts
6 - 1/2" Flat Washers	
6 - 1/2" Lock Washers	

Note: Completely read instructions before beginning installation!

1. Remove the contents from the box and check for missing pieces or damage. If parts are missing or damaged, contact the original place of purchase. Two people are strongly recommended for this install.
2. Installation of Winch Carrier: Using **Diagram 1** install the winch carrier between the uprights on grille guard. Use (6) 1/2" x 1" carriage bolts to install the winch carrier. Place (1) 1/2" lock washer and (1) 1/2" nut onto carriage bolt. Hand tighten at this time. After Grille Guard has been tightened then tighten all carriage bolts.
3. If a front license plate is required in your state, attach the license plate brackets to the bottom of the winch carrier with the (2) 1/4 x 3/4" bolts, (2) 1/4" hex locking nuts as shown in **Diagram 3**.

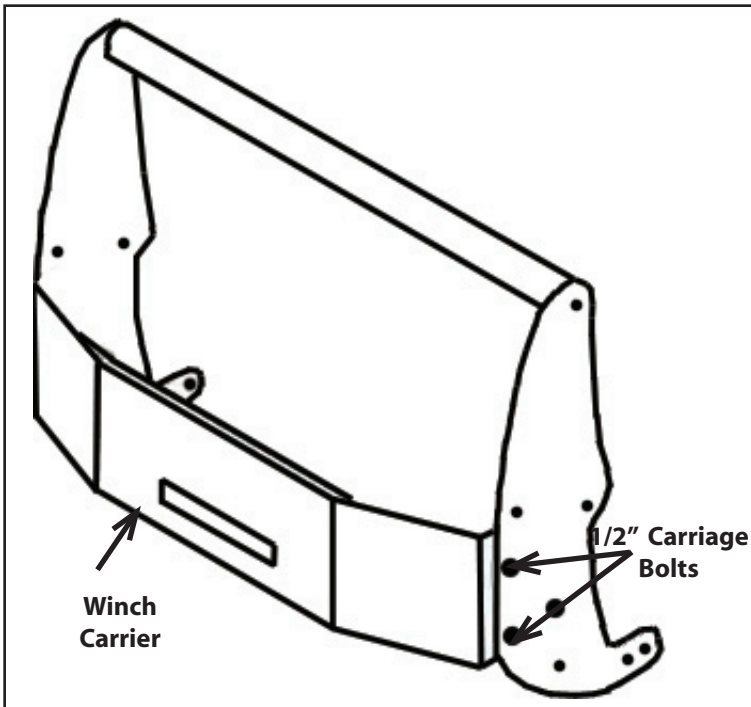


Diagram 1

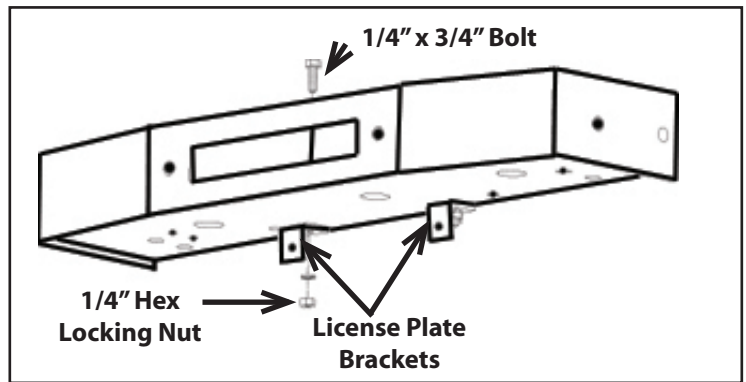


Diagram 3