

Receiver Hitch Carrier

Installation Instructions

33603

Parts List:

1 - Winch Carrier	6 - 1/2" Lock Washers
6 - 1/2" x 1 1/2" Carriage Bolts	6 - 1/2" Hex Nuts
6 - 1/2" Flat Washers	

Note: Completely read instructions before beginning installation!

1. Remove the contents from the box and check for missing pieces or damage. If parts are missing or damaged, contact the original place of purchase. Read the instructions completely before beginning. Two people are strongly recommended for this install.
2. Installation of Winch Carrier: Using **Diagram 1** install the winch carrier between the uprights on grille guard. Use (6) 1/2" x 1" carriage bolts to install the receiver hitch carrier. Place (1) 1/2" lock washer and (1) 1/2" nut onto carriage bolt. Hand tighten at this time. After Grille Guard has been tightened then tighten all carriage bolts.

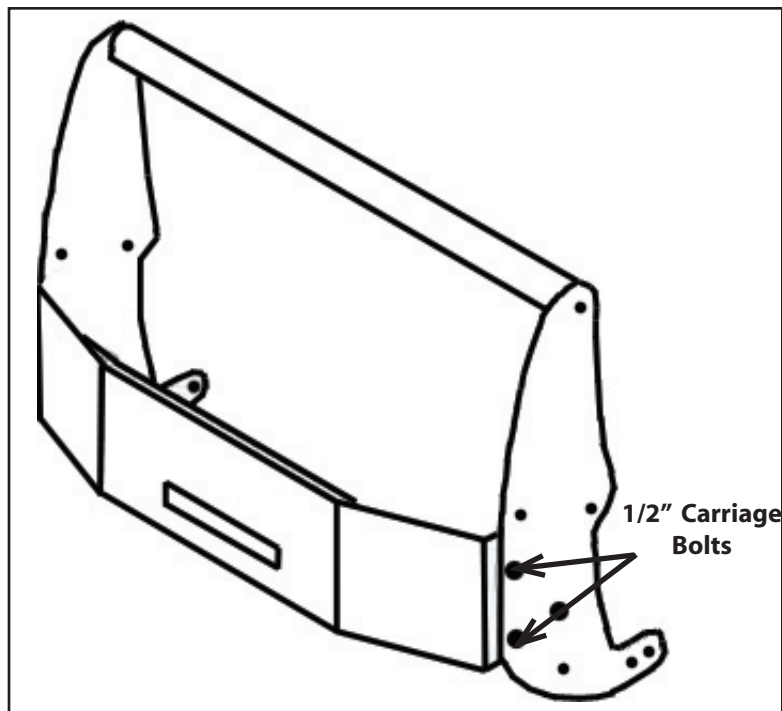


Diagram 1