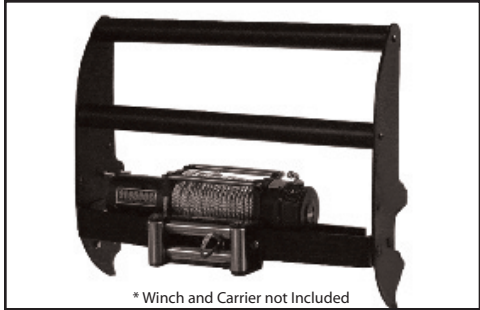


# Winch System Grille Guard

## Installation Instructions

### **33608 & 33608B**

Toyota Tundra '07 - '09



\* Winch and Carrier not Included

**Diagram 1**

**Parts list:**

- |  |                                |
|--|--------------------------------|
| 2 - Uprights                                 | 4 - 5/8" Flat Washers          |
| 2 - 2 1/2" x 32" Cross Tubes                 | 2 - 5/8" Lock Washers          |
| 1 - Driver Side Main Bottom Bracket #33608-5 | 2 - 5/8" Hex Nuts              |
| 1 - Pass. Side Main Bottom Bracket #33608-6  | 6 - 1/2" x 2" Bolts            |
| 2 - Front Brackets #33608-7                  | 8 - 1/2" x 1 1/2" Bolts        |
| 1 - Driver Top Bracket #33608-9              | 28 - 1/2" Flat Washers         |
| 1 - Pass. Top Bracket #33608-10              | 14 - 1/2" Lock Washers         |
| 2 - 5/8" x 4 1/2" Bolts                      | 14 - 1/2" Hex Nuts             |
|  | 4 - 3/8" x 1" Buttonhead Bolts |
|  | 4 - Plastic Washers            |

**Note: Completely read instructions before beginning installation!**

**\*Some truck models may require trimming of plastic bumper pocket**

1. Remove the contents from the box and check for missing pieces or damage. If parts are missing or damaged, contact the original place of purchase. Two people are strongly recommended for this install.

**33608 Brackets**



**Diagram 2**

**Front View of Truck**



**Diagram 3**

# Winch System Grille Guard

Installation Instructions

## 33608 & 33608B

Toyota Tundra '07 - '09

### View of Passenger Top Bracket behind Bumper Looking from the Passenger Fender Well

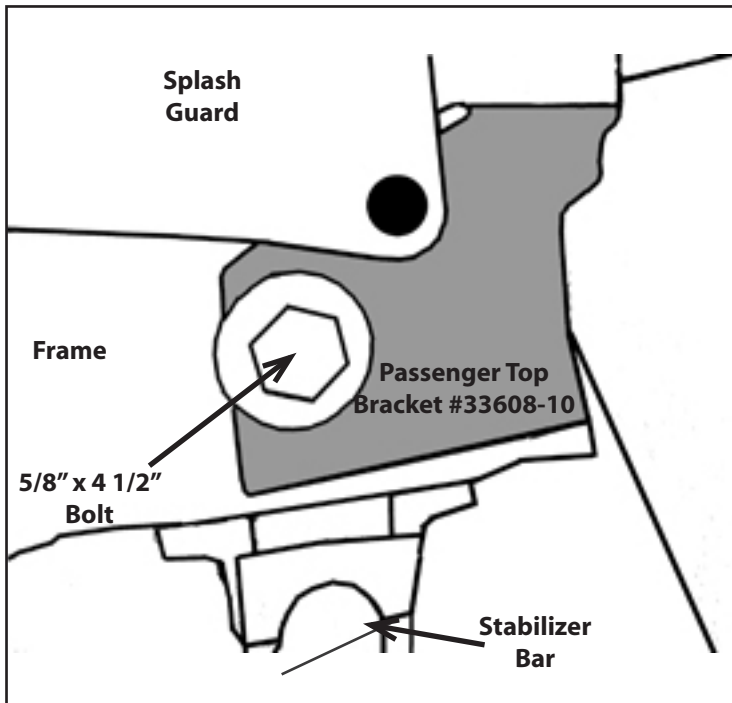


Diagram 5

### View of Passenger Main Bottom Bracket

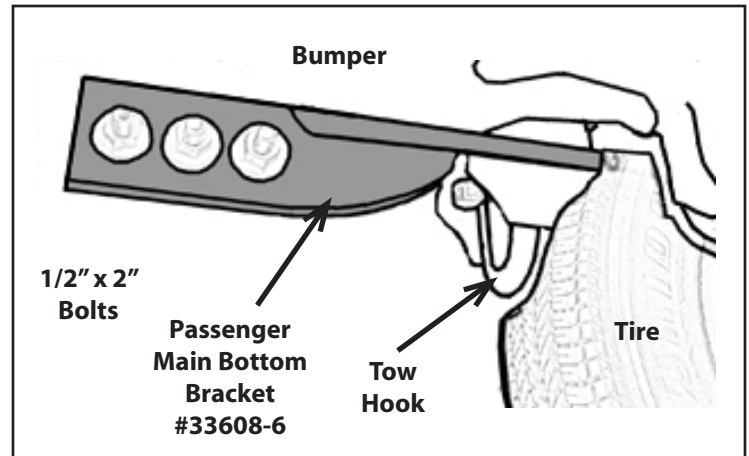


Diagram 6

### View of Passenger Front Bracket

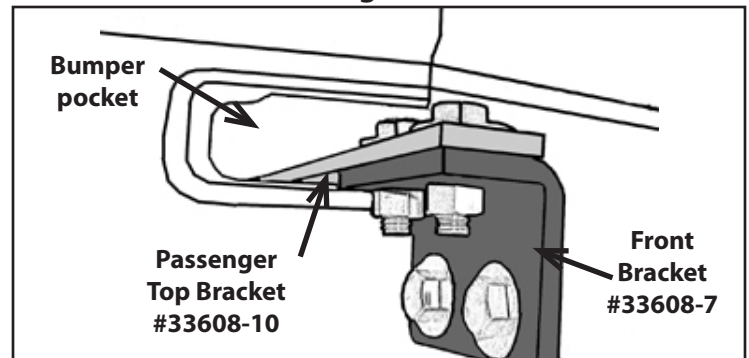


Diagram 7

2. Referencing **Diagram 2** on page 1, locate the top brackets #33608-9 and #33608-10. Push the Driver top bracket #33608-10 through the driver front opening in the bumper, as shown in **Diagram 5 and 7**. The openings in the bumper are shown in **Diagram 3**, which also shows where to trim the bumper pockets on some models. Line up hole in frame with hole in the driver top bracket #33608-10 and the hole in the frame. Place (1) 5/8" flat washer onto (1) 5/8" x 4 1/2" bolt and place through bracket and into the frame then place (1) 5/8" flat washer, (1) 5/8" lock washer, (1) 5/8" hex nut onto bolt as shown in **Diagram 5**. Repeat above procedure on the Passenger bracket #33608-9. Hand tighten only.

3. Locate the bottom brackets #33608-5 and #33608-6, using **Diagram 2** on page 1. As shown in **Diagram 6** remove the tow hooks from the truck. They will be reused. If your vehicle is equipped with skid plate, it will have to be loosened to mount the bottom brackets. Place the passenger bottom bracket #33608-5 up to the holes in the tow hook mounting plate and replace tow hook using the original bolts. Repeat procedure for passenger bottom bracket #33608-6.

4. Using **Diagram 2** on page 1, locate the front brackets #33608-7. As shown in **Diagram 7**, place front bracket #33608-7 onto the end of the frame bracket. Use (2) 1/2" x 1 1/2" bolts, (4) 1/2" flat washers, (2) 1/2" lock washers, and (2) 1/2" hex nuts per front bracket.

5. Install the uprights onto the front brackets using (2) 1/2" x 1 1/2" bolts, (4) 1/2" flat washers, (2) 1/2" lock washers and (2) 1/2" hex nuts per side member. Install uprights to bottom brackets use (3) 1/2" x 2" bolts, (6) 1/2" flat washers, (3) 1/2" lock washers and (3) 1/2" hex nuts per upright. If a winch carrier is being used, install it at this time. Install the tubes with (4) 3/8" x 1" buttonhead bolts, with plastic washer between the tubes and uprights. Tighten the brackets to the uprights first, cross tubes second and then the frame bolts last. Make sure Winch Grille Guard remains centered on truck.