

Winch System Grille Guard Installation Instructions

33641 & 33641B
Ford Super Duty '05-'07

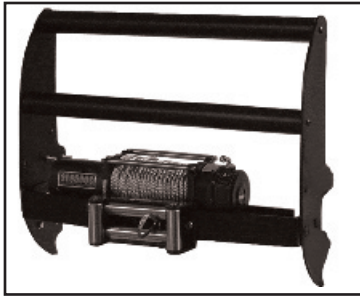


Diagram 1

Parts List:

1 - Driver Side Upper Bracket #33641-7	6- 1/2"-13 x 2 Grade 5 Bolts
1 - Passenger Side Upper Bracket #33641-8	24- 1/2" Split Lock Washers
1 - Driver Side Frame Bracket #33641-9	40- 1/2" USS Flat Washers
1 - Passenger Side Frame Bracket #33641-10	20- 1/2"-13 Nuts
1 - Driver Frame Extension Assembly #33641-5	4- 7/16" X 1 1/2" Carriage Bolts
1 - Pass.Side Extension Assembly #33641-6	4- 7/16" Split Lock Washers
2 - Uprights	4- 7/16" USS Flat Washers
2 - 2 1/2" x 32" Round Tubes	4- 7/16" Nuts
2- 5/8" x 1 3/4" Grade 5 Bolts	4- 3/8" x 1" Grade 5 Bolts
2- 5/8" Split Lock Washers	4 - 3/8" x 1 1/2" Buttonhead Bolts
2- 5/8" USS Flat Washers	4- 3/8" Split Lock Washers
2- 5/8" Nuts	4- 3/8" Nuts
14- 1/2"-13 x 1 1/2" Grade 5 Bolts	4 - Clear Plastic Washers

Note: Completely read instructions before beginning installation!

1. Remove the contents from the box and check for missing pieces or damage. If parts are missing or damaged, contact the original place of purchase. Read the instructions completely before beginning. Two people are strongly recommended for this install.
2. **Remove the bumper:** Using **Diagram 2**, remove the bolt from the outside bumper support. Do this on both driver and passenger side. Unclasp the electrical line going to lights in the bumper if your vehicle is equipped with lights. Using **Diagram 3**, remove the 2 bumper bolts. Repeat this procedure for the passenger side. After all of these steps remove the bumper and set aside.

View of Behind Bumper

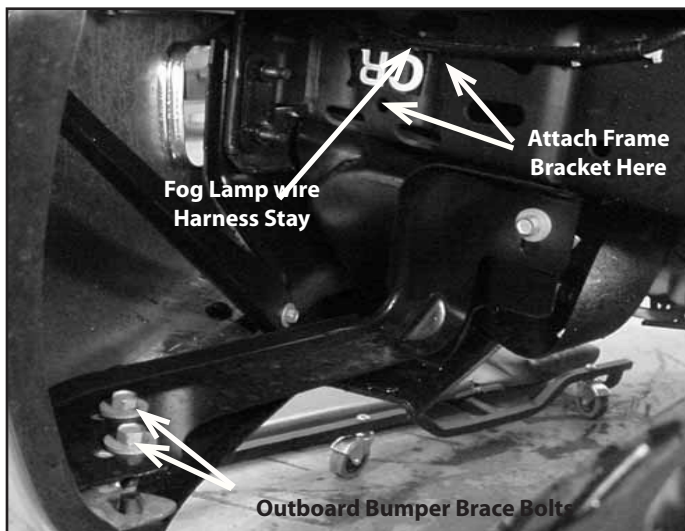


Diagram 2

View of Tow Hook

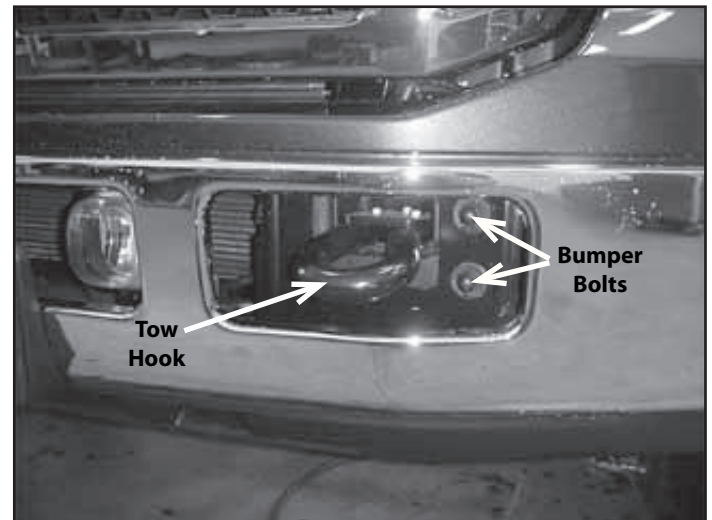


Diagram 3

Winch System Grille Guard Installation Instructions

33641 & 33641B Ford Super Duty '05-'07

3. **Install the frame bracket #33641-9 & -10:** Using **Diagram 4**, place passenger frame bracket #33641-10 up to frame and align the holes in the frame with the holes in the bracket. Use (1) 5/8" x 1 1/2" bolt with (1) 5/8" flat washer place the bolt through the bracket and frame and place (1) 5/8" flat washer, (1) 5/8" hex nut onto bolt then hand tighten. In the smaller hole in bracket place (1) 1/2" x 1 1/4" bolt with (1) 1/2" flat washer into hole in bracket and place (1) 1/2" flat washer, (1) 1/2" hex nut onto bolt then hand tighten. Repeat the above procedure for the driver frame bracket #33641-9.

4. **Install the upper bracket #33641-7 & -8:** Using **Diagram 5 & 6**, place driver upper bracket #33641-7 up to the driver frame bracket #33641-5. Align the holes and place (4) 1/2" x 1 1/4" bolt with (4) 1/2" flat washers through driver upper bracket #33641-7 and into the driver frame bracket #33641-5. Place (4) 1/2" flat washers, (4) 1/2" hex nuts then hand tighten all nuts. Repeat the above procedure for the passenger upper bracket #33641-8.

5. **Install the frame extension #33641-5 & -16:** Using **Diagram 5 & 6**, place driver frame extension #33641-5 into the frame. Align the 3 holes in the frame and the 3 holes in the bracket. Place (3) 1/2" x 2" bolts with (3) 1/2" flat washers up from the bottom of the frame through the driver frame extension #33641-5. Place (3) 1/2" flat washers, (3) 1/2" hex nuts onto the (3) 1/2" x 2" bolts the hand tighten all nuts. Repeat the above procedure for the passenger frame extension #33641-16.

View of Driver Frame Bracket #33641-9

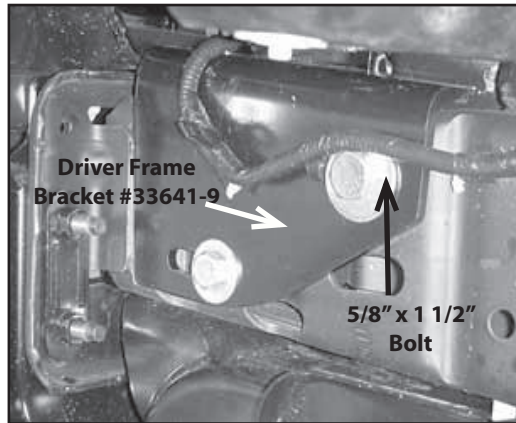


Diagram 4

View of Driver Upper Bracket #33641-7 & Driver Frame Extension #33641-5

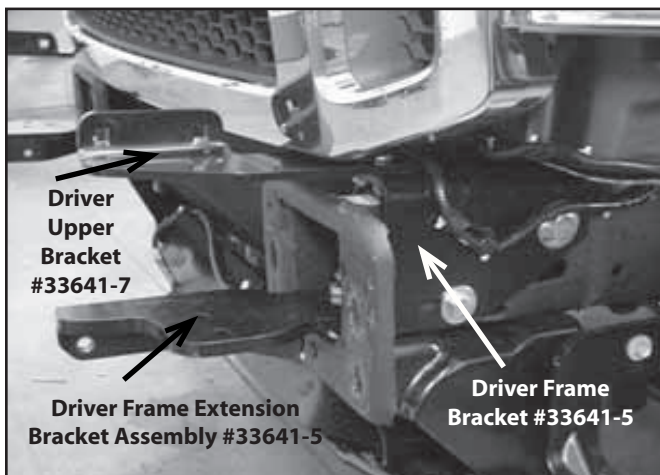


Diagram 5

View of Bracket Assembly

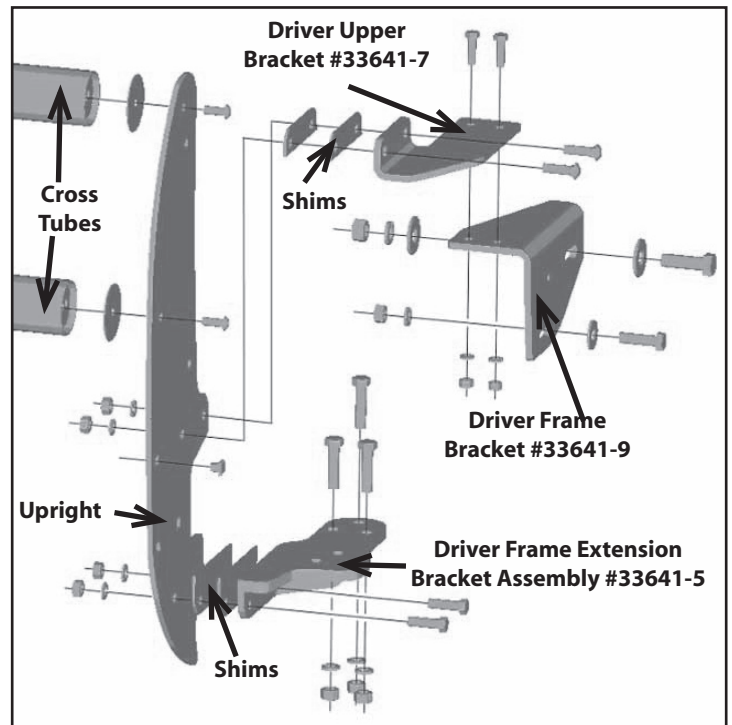


Diagram 6

Winch System Grille Guard Installation Instructions

33641 & 33641B
Ford Super Duty '05-'07

- 6. Installing the factory bumper:** Place factory bumper up to the frame, replacing the factory bolts and nut plate. Replace the outboard bolts in the bumper brace and reconnect the lights.
- 7.** Install the uprights onto the front brackets using (2) 1/2" x 1 1/2" bolts, (4) 1/2" flat washers (2) 1/2" lock washers and (2) 1/2" hex nuts per side member. Install uprights to frame extension brackets # use (3) 1/2" x 2" bolts, (6) 1/2" flat washers, (3) 1/2" lock washers and (3) 1/2" hex nuts per uprights. If a winch carrier is being used, install it at this time. Install the tubes with (4) 3/8" x 1 1/2" buttonhead bolts. Tighten the brackets to the uprights first then cross tubes then the frame bolts. Make sure Winch Grille Guard remains centered on truck.
- 8. Reinstall the factory tow hooks:** Using **Diagram 7**, position the factory tow hooks above the frame extensions. Insert the 3 hole shims as necessary, between the tow hook and the frame extension then install the factory bolts and lock washers. Tighten all bolts.

View of Reinstalling Tow Hooks

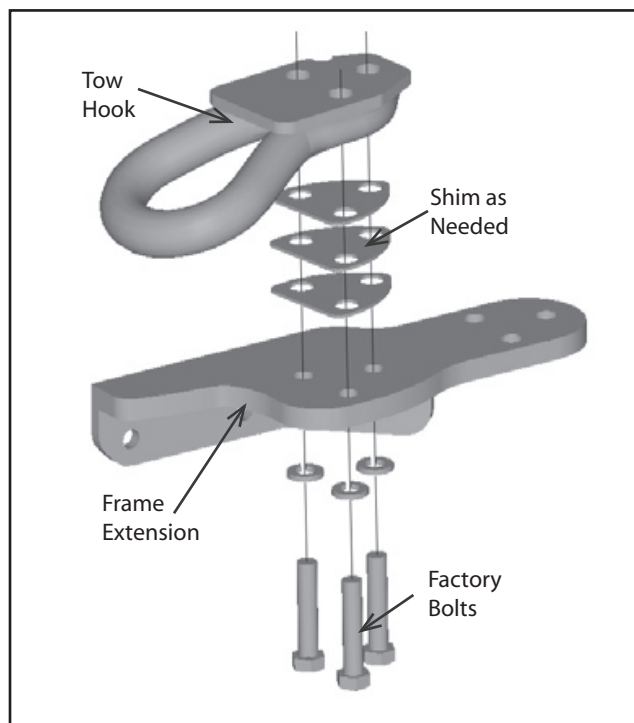


Diagram 7