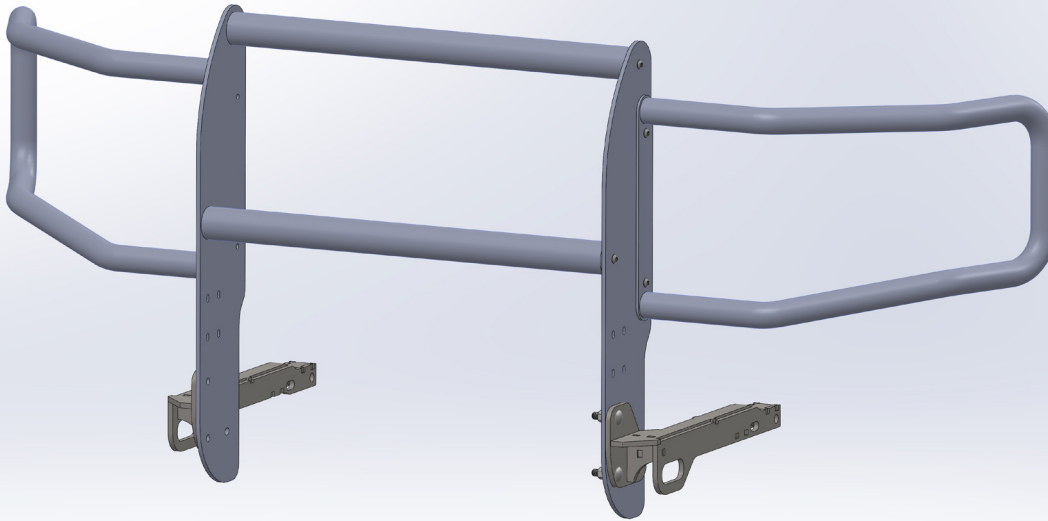


Winch System Grille Guard

Installation Instructions

33673 / 33673B

2019 RAM 2500 / 3500 / 4500 / 5500 / 6500



* Shown with optional 26673 Headlight Brush Guards

Parts List:

- 2 - Uprights #33673
- 1 - Driver Bracket #33673-7
- 1 - Pass. Bracket #33673-8
- 2 - Bracket Shim #33673-9
- 2 - 2 1/2" x 32" Cross Tubes
- 8 - 3/8" x 1" Buttonhead Bolts
- 8 - 3/8" Flat Washers
- 4 - 3/8" Hex Nuts
- 4 - Neoprene Washers
- 6 - 1/2" x 2" Carriage Bolts
- 6 - 1/2" Flat Washers
- 6 - 1/2" Lock Washers
- 6 - 1/2" Hex Nuts

Note:

Completely read instructions before beginning installation!

1. Remove the contents from the box and check for missing or damaged parts. If parts are missing or damaged, contact the original place of purchase.
2. Begin by removing the four factory 16mm bolts (two per side) that secure the tow hooks in the vehicle frame. Remove the tow hooks which will not be reused and set aside. The brackets are equipped with recovery points to replace the tow hooks.
3. Install the brackets (33673-7 Driver and 33673-8 Passenger) through the tow hook openings, and into the frame rail (**2500 / 3500 models will use the 33673-9 Shims between the brackets and the outer wall of the frame rails**). Using **Diagram 1** as a guide, you will re-insert the previously removed factory 16mm hardware in the same locations they were located in. Leave the hardware loose at this time to allow for any adjustments that need to be made after the grille guard is assembled.
4. Using **Diagram 2** as a guide, install the two cross tubes to the uprights first using a flat surface to keep the uprights aligned, and tighten the cross tube bolts. Next, place the assembled grille guard between the mounting brackets and attach using the hardware as shown in **Diagram 2**. Leave this hardware loose to allow for grille guard adjustment.
5. Begin final adjustments by centering the grille guard on the vehicle and making it level. The grille guard should be positioned where the back of the upright is straight and vertical. Tighten the grille guard to the mounting brackets maintaining all adjustments, and then tighten the factory 16mm bolts on the frame rails.
6. Suggested final torque values are as follows:

3/8" Hardware	Approximately 30 ft. lbs.
1/2" Hardware	Approximately 75 ft. lbs.
16mm Hardware	Approximately 150 ft. lbs.



Note: Re-check all hardware for proper tightness upon completion and periodically inspect hardware and parts for signs of wear throughout the life of the product.

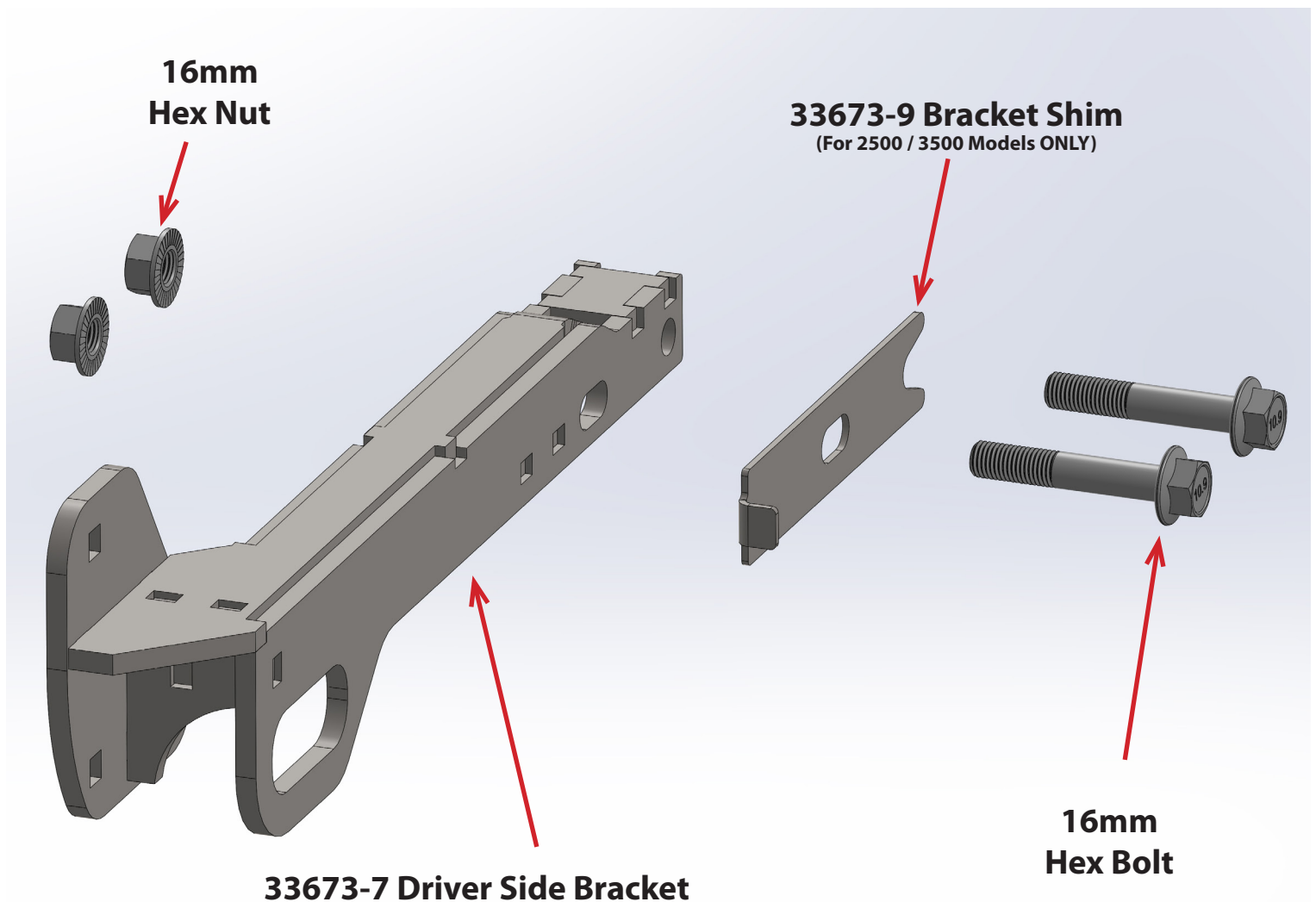
Winch System Grille Guard

Installation Instructions

33673 / 33673B

2019 RAM 2500 / 3500 / 4500 / 5500 / 6500

Diagram 1 Driver Side Bracket Assembly



Winch System Grille Guard

Installation Instructions

33673 / 33673B

2019 RAM 2500 / 3500 / 4500 / 5500 / 6500

Diagram 2

Grille Guard Assembly

