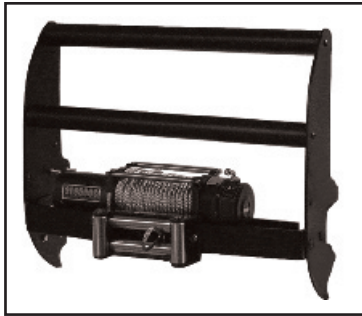


# Winch System Grille Guard

Installation Instructions

## 33732 & 33732B

Chevy Silverado Classic  
 2500HD/3500 '03 - '07



**Diagram 1**

**Parts list:**

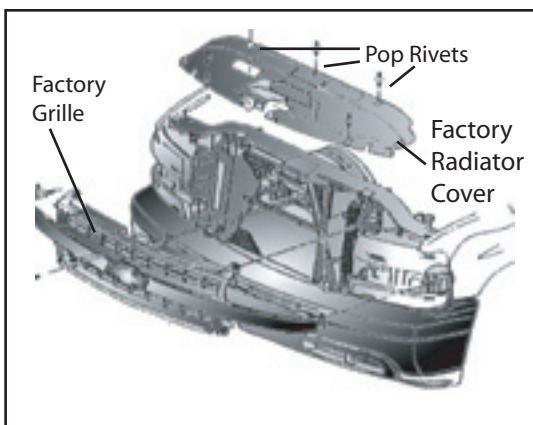
1 - Driver Top Bracket #33732-5	4 - 3/8" x 1 1/2" Buttonhead
1 - Passenger Top Bracket #33732-6	
1 - Driver Main Bracket #33732-7	
1 - Passenger Main Bracket #33732-8	
1 - Cross Member Bracket #33732-9	
2 - Spacers 33732-12	
2 - Straps 33663-12	
2 - Bolt Plates 33732-13	
2 - Cross Tubes	
2 - Uprights	

1. Remove the contents from the box and check for missing pieces or damage. If parts are missing or damaged, contact the original place of purchase. Read the instructions completely before beginning. Two people are strongly recommended for this install.

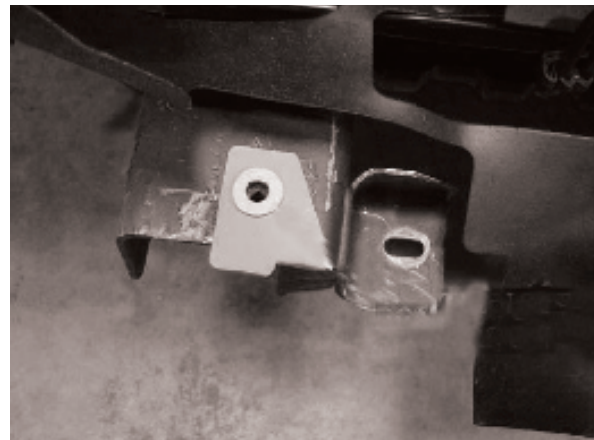
2. **Remove the Factory Radiator Cover and Factory Grille:** Open the hood on the truck. Using **Diagram 1**, locate the factory radiator cover. To remove the pop rivets, use a flat head screwdriver to pull up on the middle of the pop rivets. To remove the bottom part of pop rivet, place the screwdriver under the bottom and push up. Repeat this procedure to remove all pop rivets. To remove the factory grille, place your hand behind grille and push out until the grille can be removed. Place the factory radiator cover, pop rivets and factory grille to the side to be re-installed later.

3. **Remove the Factory Bumper:** Remove the factory bumper by removing the outer bumper braces. Remove the bolts from the bumper and set aside they will be reused. Remove the four bumper bolts then remove the bumper, set aside the bolts they will be reused. Remove the tow hooks and the tow hook opening cover if so equipped.

4. Place the Y-plate spacer then the plain steel spacer on top of frame towers where the upper brackets mounts, using **Diagram 3**.



**Diagram 2**



**Diagram 3**

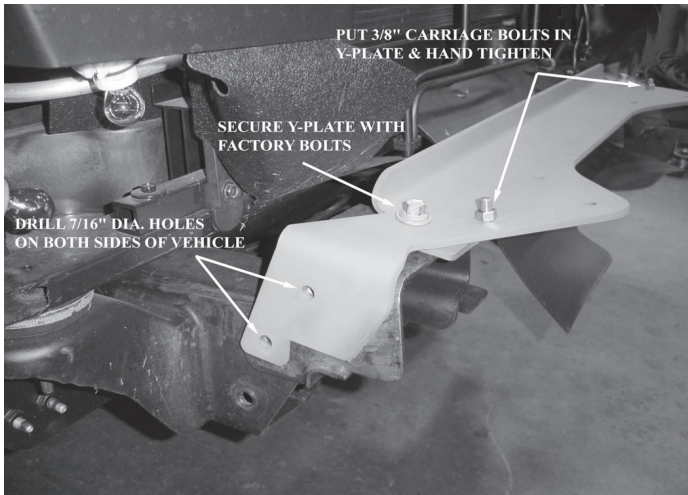
# Winch System Grille Guard

Installation Instructions

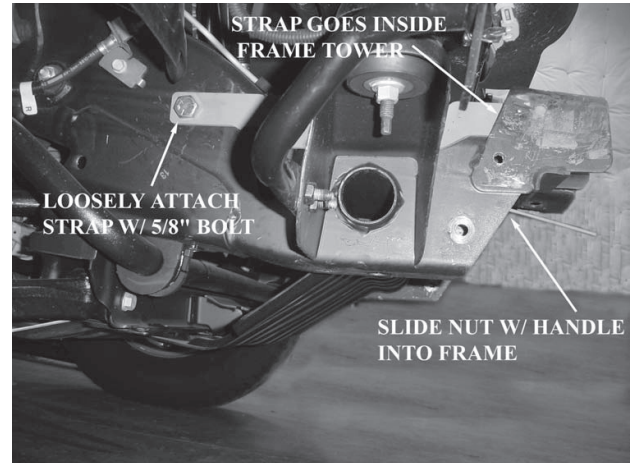
## **33732 & 33732B**

Chevy Silverado Classic  
 2500HD/3500 '03 - '07

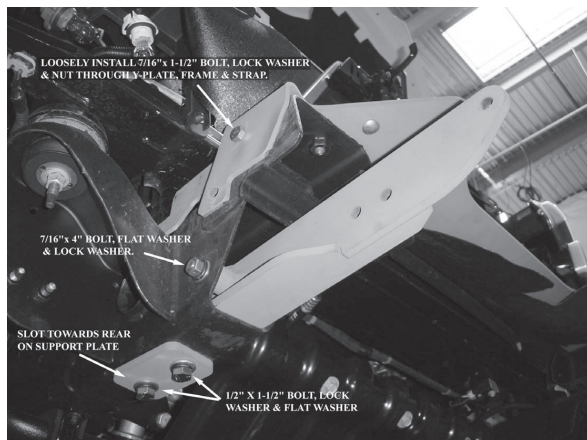
5. Mount the Y-plate to the frame towers as shown in **Diagram 3**. Use the holes on the side of the Y-plate to drill the 7/16" holes in the frame and frame towers. Remove the Y-plate after holes have been drilled.
6. Install the strap, using **Diagram 4**, slide the strap inside the frame tower. The front hole on the strap should line up with the 7/16" hole drilled in step five. Slide the nut with a handle inside frame and line up with the 5/8" bolt. Hand tighten but leave loose to help in the install.
7. Reinstall the Y-plate without the spacers and only attach it with one 7/16" x 1 1/2" bolt, 7/16" lock washer and 7/16" nut. Hand tighten bolt. Install the frame extensions using **Diagram 5**. Use the support plates underneath the frame with the slot towards the rear of the vehicle. Use flat washers on both sides of the 7/16" x 4" bolt.
8. Set the Y-plate spacers on the bumper brackets using **Diagram 6**. Slide the bumper into place. The bumper bracket and spacer slide underneath the Y-plate. Since there are only two bolts holding the Y-plate in place it should rotate back slightly to ease installation. Use a screwdriver as shown in **Diagram 7** to help align the holes. Once the holes are aligned put the six bumper factory bolts back in place, do not tighten bolts.



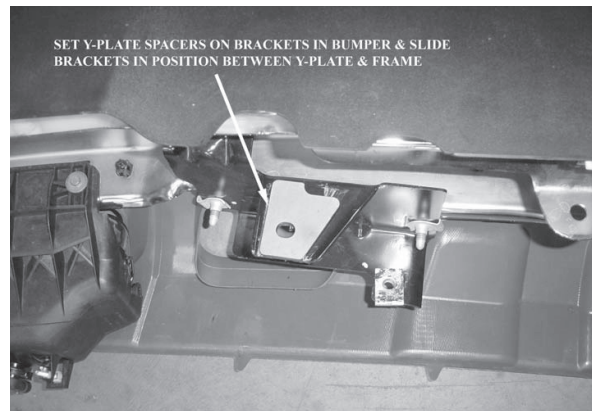
**Diagram 3**



**Diagram 4**



**Diagram 5**



**Diagram 6**

# Winch System Grille Guard

Installation Instructions

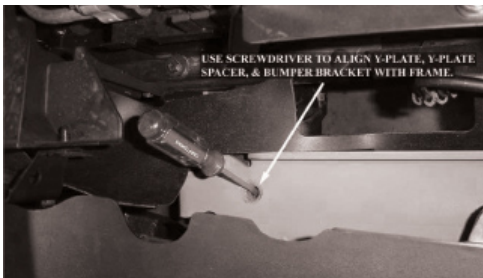
## **33732 & 33732B**

Chevy Silverado Classic  
 2500HD/3500 '03 - '07

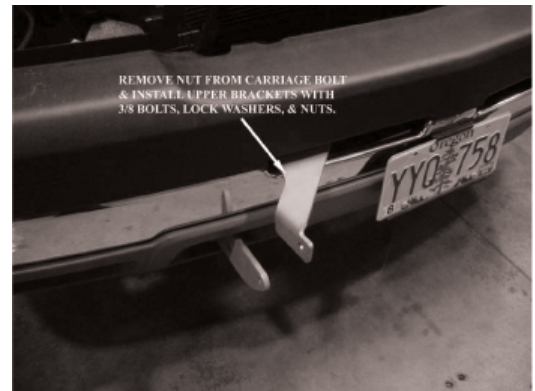
9. Remove the nuts from the carriage bolts on the Y-plate and install the upper brackets as shown in Diagram 7. Use 3/8" x 1" bolts, lock washers and nuts. It will be easier to push the front bolts up from the bottom like the carriage bolts.

10. Carefully center the bumper side to side by checking the match-up to the front fenders on each side. Tighten all six bumper bolts securely. Plug fog lights back in. Reinstall plastic air baffle. The air baffle will be angled down and tight against the bottom of the Y-plate. Reinstall grille.

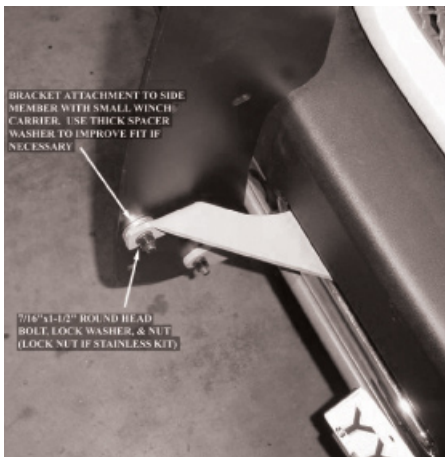
11. Install the side members onto the frame extensions as shown in Diagram 8. If a winch carrier is being used, install it at this time. Install the brackets to the side members. Install the tubes and tighten all bolts.



**Diagram 7**



**Diagram 8**



**Diagram 9**



**Diagram 10**