

Enforcement Series Grille Guard

Installation Instructions

38035 & 39035

Chevy Silverado 1500 '07 - '13

Some models without tow hooks, will require the plastic tow hook pocket to be trimmed for bracket clearance.

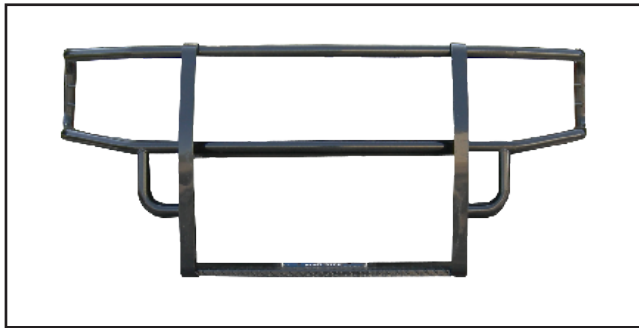


Diagram 1

Parts List:

1 - Enforcement Grille Guard	18 - 1/2" Flat Washers
1 - Driver Top Bracket #46735-5	10 - 1/2" Lock Washers
1 - Pass. Top Bracket #46735-6	8 - 1/2" Nuts
2 - Bottom Brackets #46735-7	
2 - Threaded plates #77699-9	
10 - 1/2" x 1 1/2" Bolts	*May include extra hardware.

Note: Completely read instructions before beginning installation!

1. Remove the contents from the box and check for missing pieces or damage. If parts are missing or damaged, contact the original place of purchase.
2. Open the hood on the truck. Using **Diagram 2**, locate the factory radiator cover. To remove the pop rivets, use a flat head screwdriver to pull up on the middle of the pop rivets. To remove the bottom part of pop rivet, place the screwdriver under the bottom and push up. Repeat this procedure to remove all pop rivets. To remove the factory grille, loosen and remove the 4 10mm bolts. Take a screwdriver and push down on the middle of each clip to remove factory grille. Place the factory radiator cover, pop rivets and factory grille to the side to be re-installed later.
3. Locate the top driver bracket #46735-5 for installation at this time. Remove the factory bumper bolt as shown in **Diagram 3**. Place the top bracket #46735-5 over the opening. Replace the factory bumper bolt through the top bracket and into the bolt hole opening. Repeat on the passenger side to install the passenger top bracket #46735-6. Do not fully tighten these bolts at this time.
4. Locate the bottom brackets #46735-7 for installation at this time. On the driver side remove the nut on the frame bolt that holds the tow hook in the frame. Refer to **Diagram 5**. Place bracket up to bolt and replace nut. On passenger side the bolt will have to be removed. Place bracket onto bolt then replace through frame. Leave loose at this time. On vehicle with out tow hooks the threaded plates #77699-9 will need to be inserted into the frame. The brackets #46735-7 will then be placed on the outside of the frame and (1) 1/2" x 1/2" bolt with (1) 1/2" flat washer and (1) 1/2" lock washer threaded into the plates inserted in the frame.
5. Using two people align the grille guard holes to the top brackets and bottom brackets. Attach the grille guard to the brackets using (1) 1/2" x 1 1/2" bolts, (1) 1/2" flat washer, (1) 1/2" lock washer and (1) 1/2" nut per hole in upright. The brackets will attach to the inside face of the guards vertical uprights. Hand tighten all bolts at this time.
6. Center the Grille Guard on the vehicle. Tighten all bolts at this time insuring the grille guard remains centered on vehicle.
7. Re-install Factory Grille and Factory Radiator Cover. Align factory grille with holes in vehicle, gently push factory grille until it clicks closed. Take the radiator cover place over holes in vehicle. Replace pop rivets into vehicle. The grille will be a tight squeeze, but will fit back in with the guard installed.

420 N. Grove, Richardson, TX 75081
 Tele: (800) 527 - 4345 Fax: (800) 442 - 5263
 Web site: www.goindustries.com
 E-mail: gosupport@goindustries.com

Enforcement Series Grille Guard

Installation Instructions

38035 & 39035

Chevy Silverado 1500 '07 - '13

View of Factory Grille and Radiator Cover

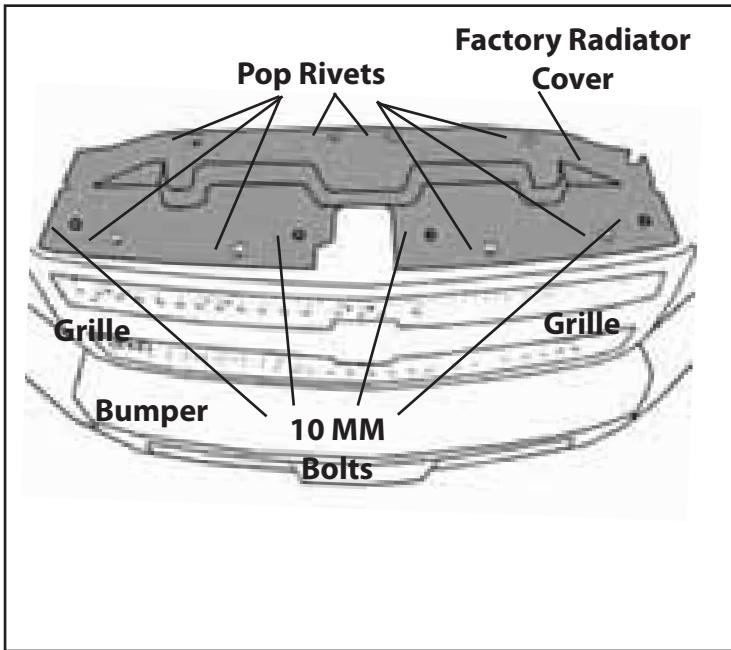


Diagram 2

View of Top Driver Side Bracket #46735-5

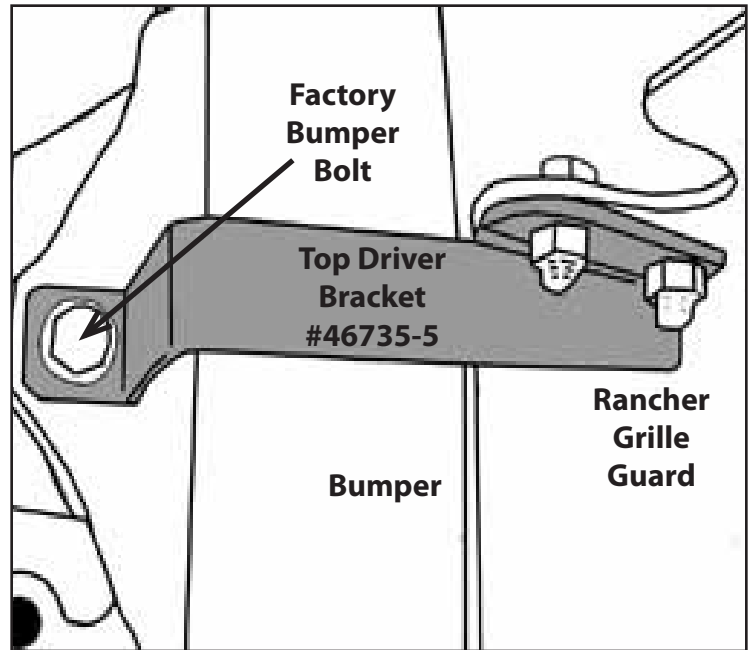


Diagram 3

**Bottom Bracket #46735-7
 Driver Side Front View**

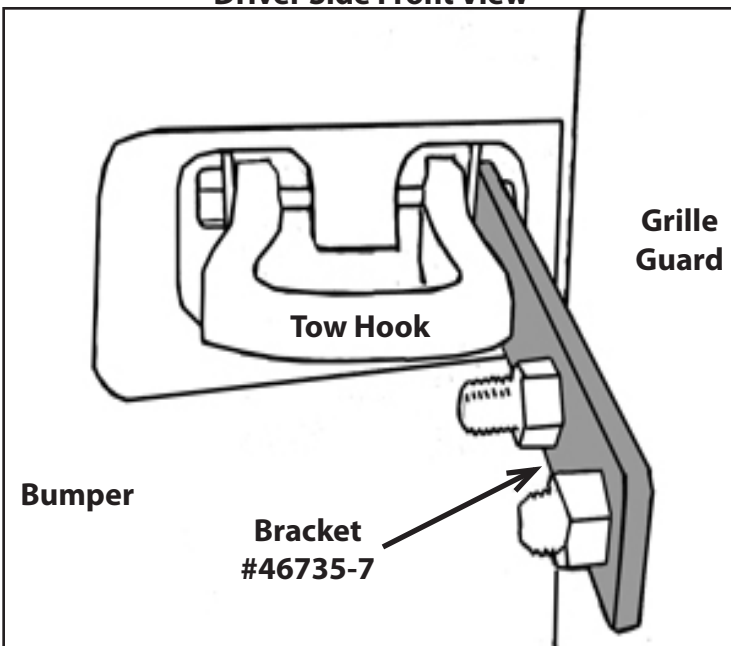


Diagram 4

**Bottom Bracket #46735-7
 Driver Side Behind Bumper**

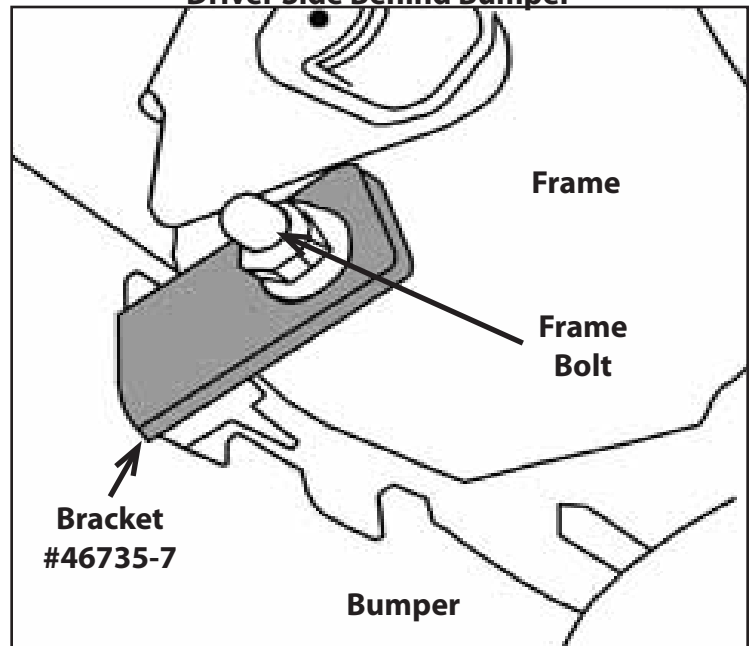


Diagram 5