

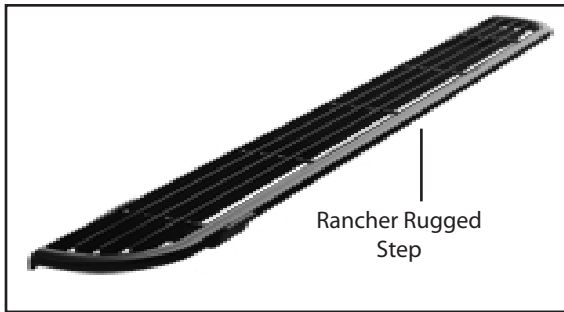
# Rancher Rugged Step

Installation Instructions

## 42302

Chevy Silverado / GMC Sierra  
Regular Cab 1500 '99-'07  
Regular Cab 2500/3500 '01-'07

### **NOTE: Rancher Rugged Steps ship in three boxes.**



**Diagram 1**

**Parts List:**

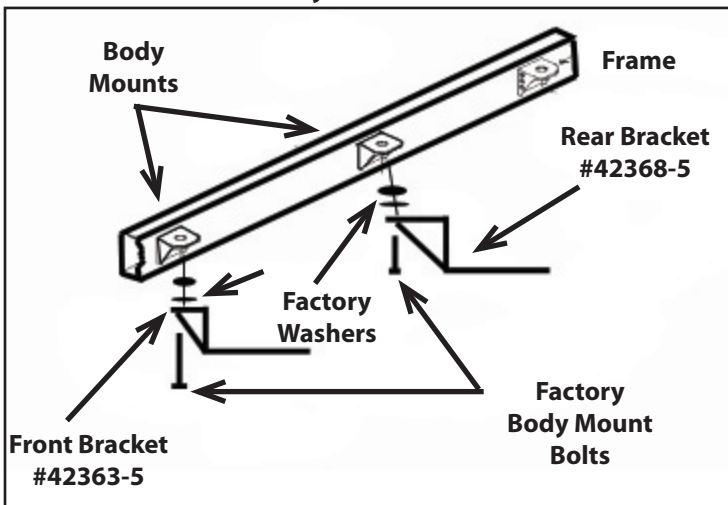
2 - Rancher Rugged Step	8 - 1/2" Flat washers
2 - Front Brackets #42363-5	8 - 1/2" Lock washers
2 - Rear Brackets #42368-5	8 - 1/2" Nuts
8 - T-bolts	

*\*May include extra hardware.*

### **Note: Completely read instructions before beginning installation!**

1. Remove the contents from the box and check for missing pieces or damage. If parts are missing or damaged, contact the original place of purchase.
2. To install the front brackets #42363-5 and rear brackets #42368-5, remove the body mount bolts, see **Diagram 2**. Place brackets up to body mounts and replace the body mount bolt. Do not tighten.
3. Place the Rancher Rugged Step onto the brackets. Use the T-bolts from kit to attach the Rancher Rugged Steps to the brackets, see **Diagram 3**. Place the T-bolt down through the slats in the Rancher Rugged Steps into the holes in the brackets. Place (1) 1/2" flat washer, (1) 1/2" lock washer and (1) 1/2" nut onto T-bolts. Use (2) T-bolts per bracket.
4. Tighten brackets to truck first then tighten all T-bolts. **Do not use a pneumatic impact to tighten hardware.**

#### View of Body Mounts & Brackets



**Diagram 2**

#### View of T-bolts



**Diagram 3**