

Rancher Rugged Step

Installation Instructions

42353

Chevy Silverado / GMC Sierra
 1500/2500/3500 Regular Cab
 '07-'17

NOTE: Rancher Rugged Steps ship in three boxes.

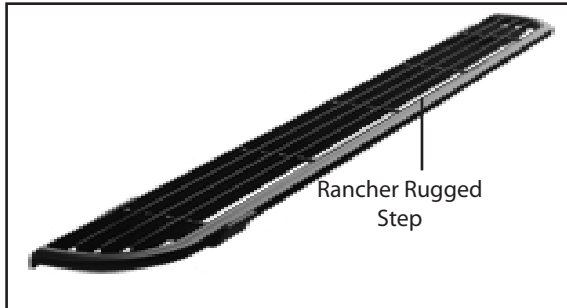


Diagram 1

Parts List:

2 - Rancher Rugged Step	4 - M8-1.25 x 30mm bolts
4 - Brackets #42352-5	4 - 3/8" x 1 1/2" Bolts
8 - T-bolts	12 - 3/8" Flat Washers
4 - Square Washers	8 - 3/8" Lock Washers
8 - 1/2" Nuts	4 - M8-1.25 Nuts
8 - 1/2" Flat Washers	4 - 3/8" U-nuts
8 - 1/2" Lock Washers	
4 - M8-1.25 x 45mm bolts	

*May include extra hardware.

****Diesel trucks equipped with an Urea tank, will need to order addition Part #42354.****

Note: Completely read instructions before beginning installation!

1. Remove the contents from the box and check for missing pieces or damage. If parts are missing or damaged, contact the original place of purchase.
2. The four brackets will all attach to factory holes/nuts in the rocker panels. There will be one bracket in the most forward set, one in the rearward set of holes/nuts on both driver and passenger side. There are two variations of the holes/nuts on the rocker panels, use **Diagrams # 2 and #3**, to identify each set of holes. On Diesel trucks equipped with the urea tank the passenger side front bracket will not be installed and part #42354 needs to be installed.
3. For any set of holes needed that match **Diagram #2**, proceed with the following using **Diagram #4** for reference. The large hole needed for this step is usually covered with a plastic plug or black tape, the plug or tape needs to be removed. Insert (1) 3/8" U-nut through the upper large hole and position it to cover the smaller hole next to it. Place (1) bracket #42352-5 up to the rocker panel with the single slotted hole end over the installed U-nut. Place (1) 3/8" lock washer and (1) 3/8" flat washer onto (1) 3/8" x 1 1/2" bolt and insert through the upper slotted bracket hole, threading into the 3/8" U-nut- nut attached to the rocker. Leave bolt loose at this time. Place (1) 3/8" flat washer on (1) M8 x 45mm bolt and insert through the hole in the rocker panel and through the half hole in the bracket. The bolt needs to be inserted from the bottom and point upwards. Place (1) square washer, (1) 3/8" flat washer, (1) 3/8" lock washer and (1) M8 nut on the bolt, leave loose at this time. The square washer must go against the half hole in the bracket. Repeat this procedure for any rocker panel holes needed that match **Diagram #2**.
4. For any set of holes needed that match **Diagram #3**, proceed with the following using **Diagram #5** for reference. Place (1) bracket #42352-5 up to the rocker panel. Place (1) 3/8" lock washer and (1) 3/8" flat washer onto (1) M8 x 30mm bolt, and thread the bolt into the factory threaded hole in the rocker. Place (1) 3/8" flat washer onto (1) M8 bolt and thread the bolt upward through the factory nut on the rocker and tighten. Now place (1) square washer, (1) 3/8" flat washer, (1) 3/8" lock washer, and (1) M8 nut onto the bolt and snug. The square washer must go against the half hole in the bracket. Repeat this procedure for any rocker panel holes needed that match **Diagram #3**.
5. Place the rancher rugged step onto the brackets. Use the T-bolts from kit to attach the rancher rugged steps to the brackets, see **Diagram #6**. Place the T-bolts down through the slats in the rancher rugged steps into the holes in the brackets. Place (1) 1/2" flat washer, (1) 1/2" lock washer and (1) 1/2" nut onto each T-bolt on the under side of the bracket. **Use (2) T-bolts per bracket.**
6. Tighten brackets to truck first then tighten all T-bolts. **Do not use a pneumatic impact to tighten hardware.**

Rancher Rugged Step

Installation Instructions

42353

Chevy Silverado / GMC Sierra
 1500/2500/3500 Regular Cab
 '07-'17

NOTE: Rancher Rugged Steps ship in three boxes.

Factory Rocker Panel with Holes

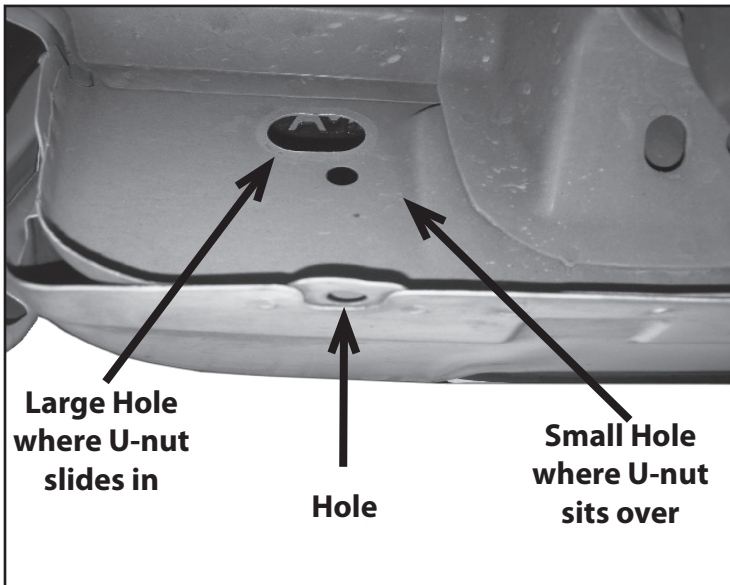


Diagram #2

Factory Rocker Panel with Nuts

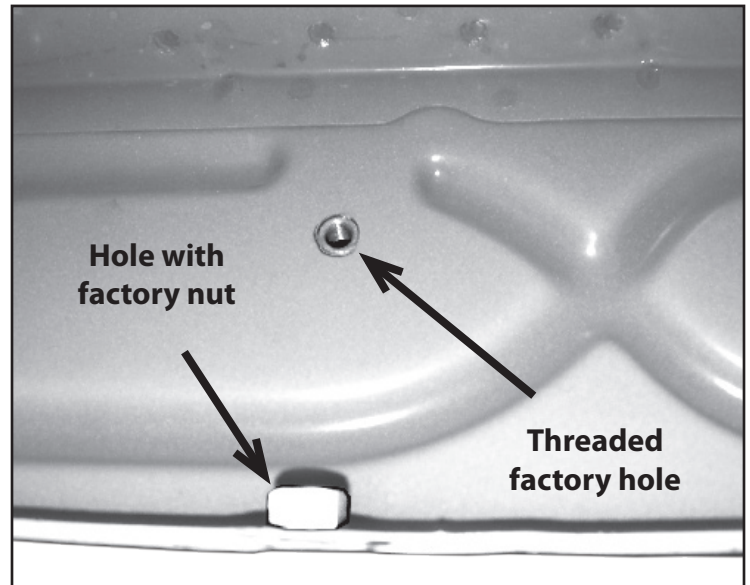


Diagram #3

**Factory Rocker Panel with Holes
 Matching Diagram #2**

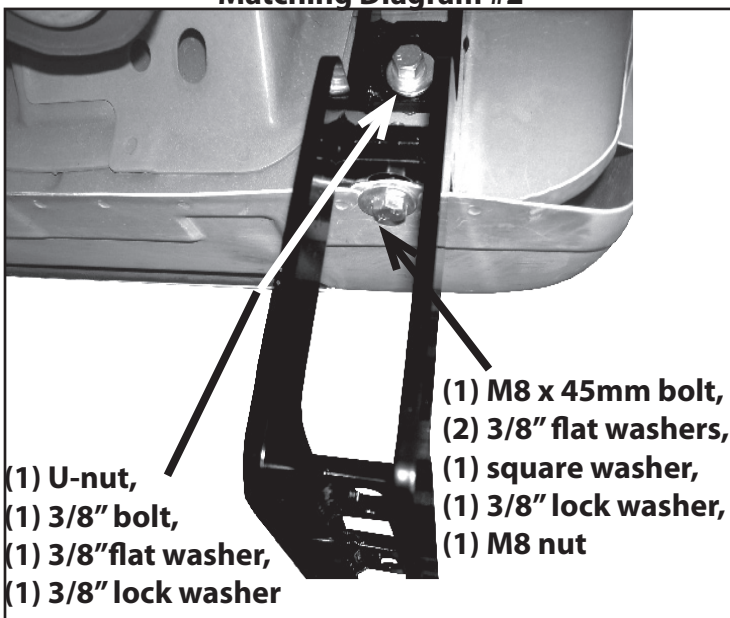


Diagram #4

**Factory Rocker Panel with Nuts
 Matching Diagram #3**

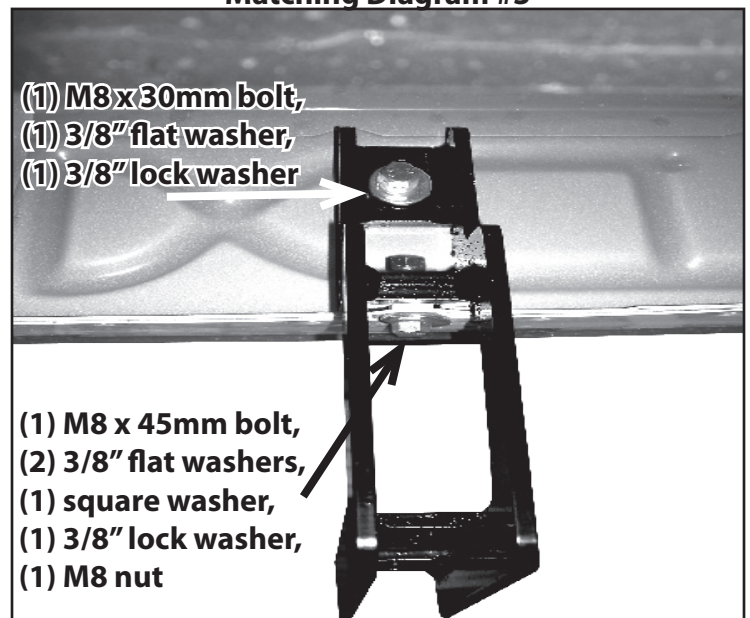


Diagram #5

Rancher Rugged Step

Installation Instructions

42353

Chevy Silverado / GMC Sierra
1500/2500/3500 Regular Cab
'07-'17

NOTE: Rancher Rugged Steps ship in three boxes.

View of T-bolt

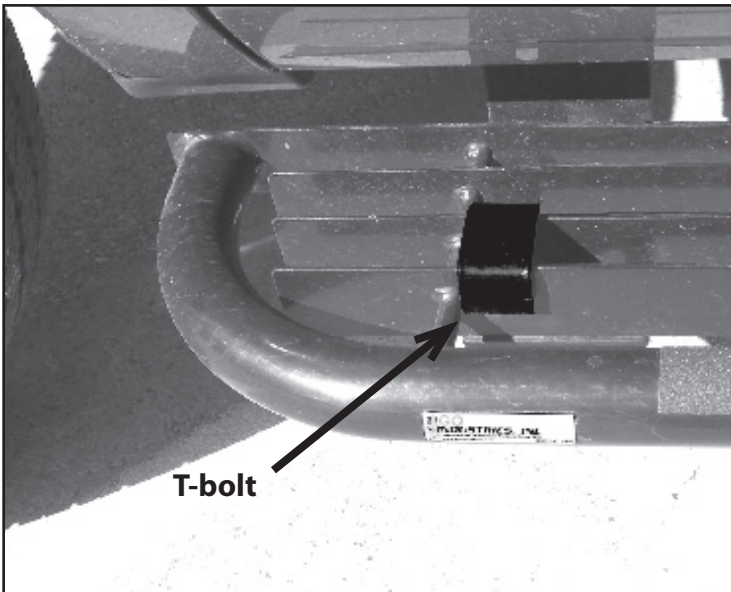


Diagram #6