

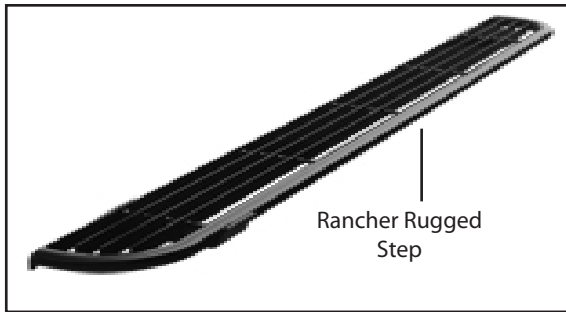
# Rancher Rugged Step

Installation Instructions

## 42363

Chevy Silverado/GMC Sierra  
 Extended Cab 4 Door 1500 '99 -'07  
 Extended Cab 4 Door 2500/3500 '01 -'07

### **NOTE: Rancher Rugged Steps ship in three boxes.**



**Diagram 1**

**Parts List:**

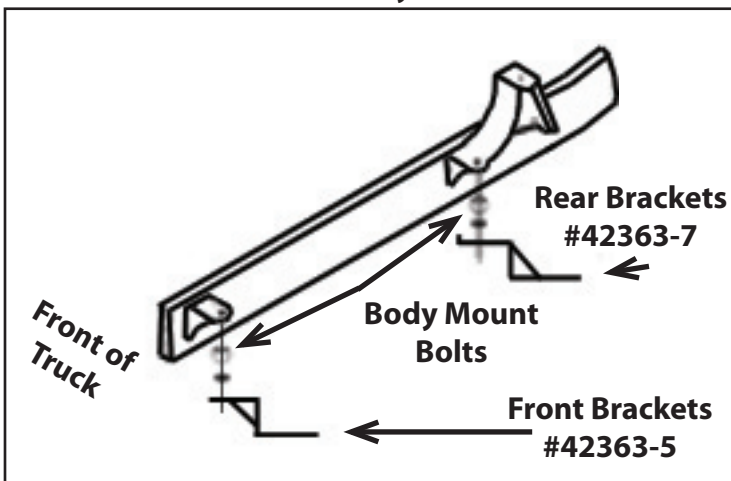
2 - Rancher Rugged Step	8 - 1/2" Flat Washers
2 - Front Brackets #42363-5	8 - 1/2" Lock washers
2 - Rear Brackets #42363-7	8 - 1/2" Nuts
8 - T-bolts	

*\*May include extra hardware.*

### **Note: Completely read instructions before beginning installation!**

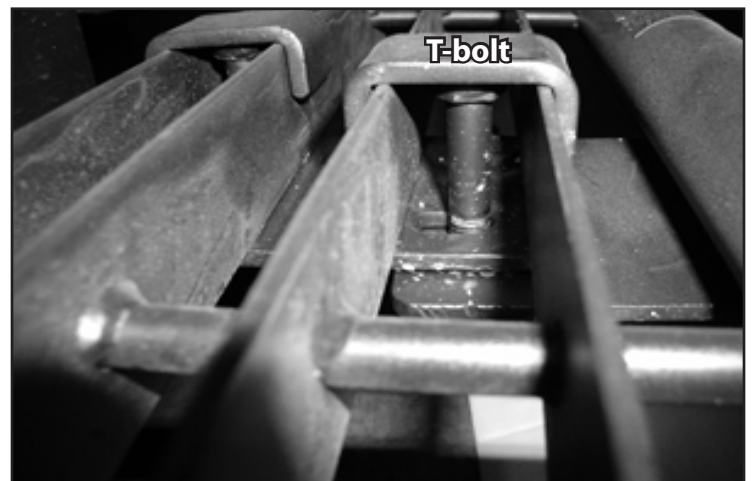
1. Remove the contents from the box and check for missing pieces or damage. If parts are missing or damaged, contact the original place of purchase.
2. Remove the front most body mount bolts on the cab as shown in **Diagram 2**. Place brackets #42363-5 up to the front body mounts and replace the body mount bolt, placing it through the bracket and into the mount. Driver and passenger side use the same brackets #42363-5, and install in the same way. Do not tighten.
3. Remove the rear most body mount bolts on the cab as shown in **Diagram 2**. Place brackets #42363-7 up to the rear body mounts and replace the body mount bolt, placing it through the bracket and into the mount. Driver and passenger side use the same brackets #42363-7, and install in the same way. Do not tighten.
4. Place the Rancher Rugged Step onto the brackets. Use the T-bolts from kit to attach the Rancher Rugged Steps to the brackets, see **Diagram 3**. Place the T-bolt down through the slats in the Rancher Rugged Steps into the holes in the brackets. Place (1) 1/2" flat washer, (1) 1/2" lock washer and (1) 1/2" nut onto T-bolts. Use (2) T-bolts per bracket.
5. Tighten brackets to truck first then tighten all T-bolts. **Do not use a pneumatic impact to tighten hardware.**

#### Driver Side View of Body Mounts & Brackets



**Diagram 2**

#### View of T-bolts



**Diagram 3**