

Rancher Grille Guard

Installation Instructions

44673 / 46673

2019 RAM 2500 / 3500 Models
 & 4500 / 5500 / 6500 Chassis Cab Models



Parts List:

- 1 - Rancher Grille Guard
- 1 - Driver Bracket #33673-7
- 1 - Pass. Bracket #33673-8
- 2 - Bracket Shim 33673-9
- 6 - 1/2" x 2" Carriage Bolts
- 6 - 1/2" Flat Washers
- 6 - 1/2" Lock Washers
- 6 - 1/2" Hex Nuts



Note:

Completely read instructions before beginning installation!

1. Remove the contents from the box and check for missing or damaged parts. If parts are missing or damaged, contact the original place of purchase.
2. Begin by removing the four factory 16mm bolts (two per side) that secure the tow hooks in the vehicle frame. Remove the tow hooks which will not be reused and set aside. The brackets are equipped with recovery points to replace the tow hooks.
3. Install the brackets (33673-7 Driver and 33673-8 Passenger) through the tow hook openings, and into the frame rail (**2500 / 3500 models will use the 33673-9 Shims between the brackets and the outer wall of the frame rails**). Using **Diagram 1** as a guide, you will re-insert the previously removed factory 16mm hardware in the same locations they were located in. Leave the hardware loose at this time to allow for any adjustments that need to be made after the grille guard is assembled.
4. Using **Diagram 2** as a guide, install the grille guard between the mounting brackets and attach using the hardware as shown. Leave this hardware loose to allow for grille guard adjustment.
5. Begin final adjustments by centering the grille guard on the vehicle and making it level. Tighten the grille guard to the mounting brackets maintaining all adjustments, and then tighten the factory 16mm bolts on the frame rails.
6. Suggested final torque values are as follows:

1/2" Hardware	Approximately 75 ft. lbs.
16mm Hardware	Approximately 150 ft. lbs.

Note: Re-check all hardware for proper tightness upon completion and periodically inspect hardware and parts for signs of wear throughout the life of the product.

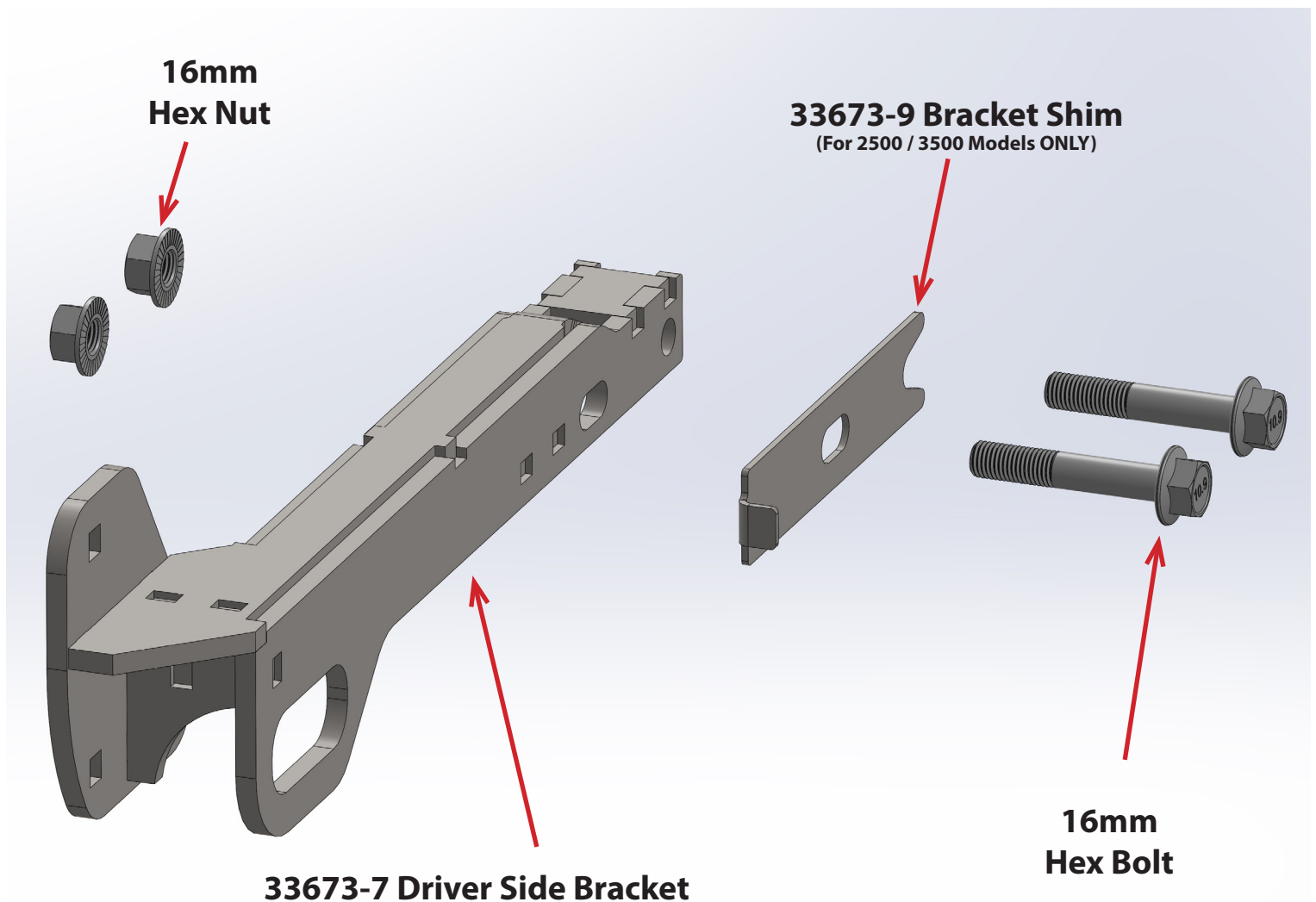
Rancher Grille Guard

Installation Instructions

44673 / 46673

2019 RAM 2500 / 3500 Models
& 4500 / 5500 / 6500 Chassis Cab Models

Diagram 1 Driver Side Bracket Assembly



Rancher Grille Guard

Installation Instructions

44673 / 46673

2019 RAM 2500 / 3500 Models
& 4500 / 5500 / 6500 Chassis Cab Models

Diagram 2

Grille Guard Assembly

