



420 N. Grove, Richardson, TX 75081
 Tele: (800) 527 - 4345 Fax: (800) 442 - 5263
 Web site: www.goindustries.com
 E-mail: gosupport@goindustries.com

Rancher Grille Guard

Installation Instructions

44629 / 45629 / 46629

GMC Sierra/Classic 2500HD/3500
 '03 - '07

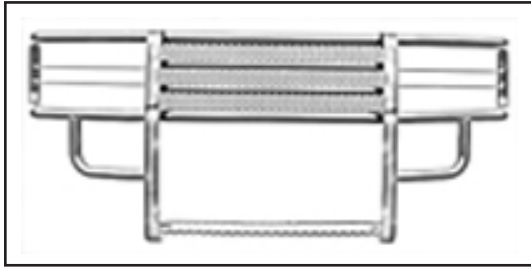


Diagram 1

Parts List:	
1 - Rancher Grille Guard	8 - 1/2" Flat Washers
2 - Top Bracket #728-5	4 - 1/2" Lock Washers
2 - Bottom Bracket #724-7	4 - 1/2" Hex Nuts
2 - M12 x 50mm Bolts	
4 - 1/2" x 1 1/2" Bolts	

Note: If your vehicle is not equipped with tow hooks, please call (800) 527-4345 for additional parts.

Note: Completely read instructions before beginning installation!

1. Remove the contents from the box and check for missing pieces or damage. If parts are missing or damaged, contact the original place of purchase. Two people are strongly recommend for this install.
2. Open the hood on the truck. Using Diagram 2, locate the factory radiator cover. To remove the pop rivets, use a flat head screwdriver to pull up on the middle of the pop rivets. To remove the bottom part of pop rivet, place the screwdriver under the bottom and push up. Repeat this procedure to remove all pop rivets. To remove the factory grille, place your hand behind the grille and push out until the grille can be removed. Place the factory radiator cover, pop rivets and factory grille to the side to be re-installed later.
3. Locate the Top Bracket #728-5 for installation at this time. Remove the factory bumper bolt as shown in Diagram 3. Insert the Top Bracket #728-5 through driver side opening in bumper. The flat end of Driver Top Bracket should be placed over the factory bumper bolt hole opening. After placing top bracket #728-5 in place, replace factory bumper bolt. Hand tighten this bolt at this time. *Bumper cover may need to be trimmed, for bracket clearance. Repeat on the passenger side to install the Top Bracket #728-5.

Removal of Factory Grille

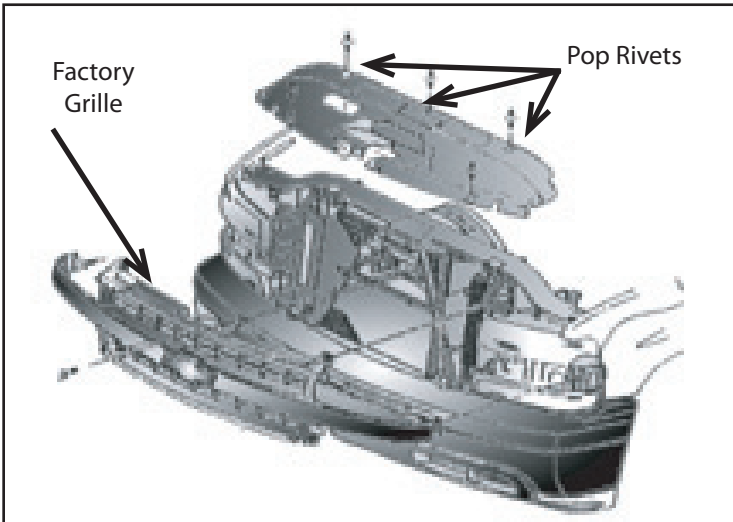


Diagram 2

Driver Side Top View of Top Bracket #728-5

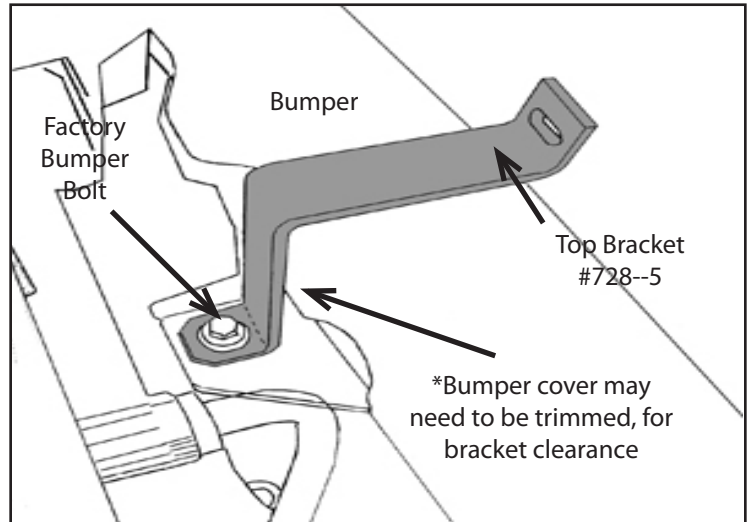


Diagram 3

Rancher Grille Guard

Installation Instructions

44729 / 45629 / 46629

GMC Sierra/Classic 2500HD/3500

03 - '07

Front View of Driver Bottom Bracket #724-7

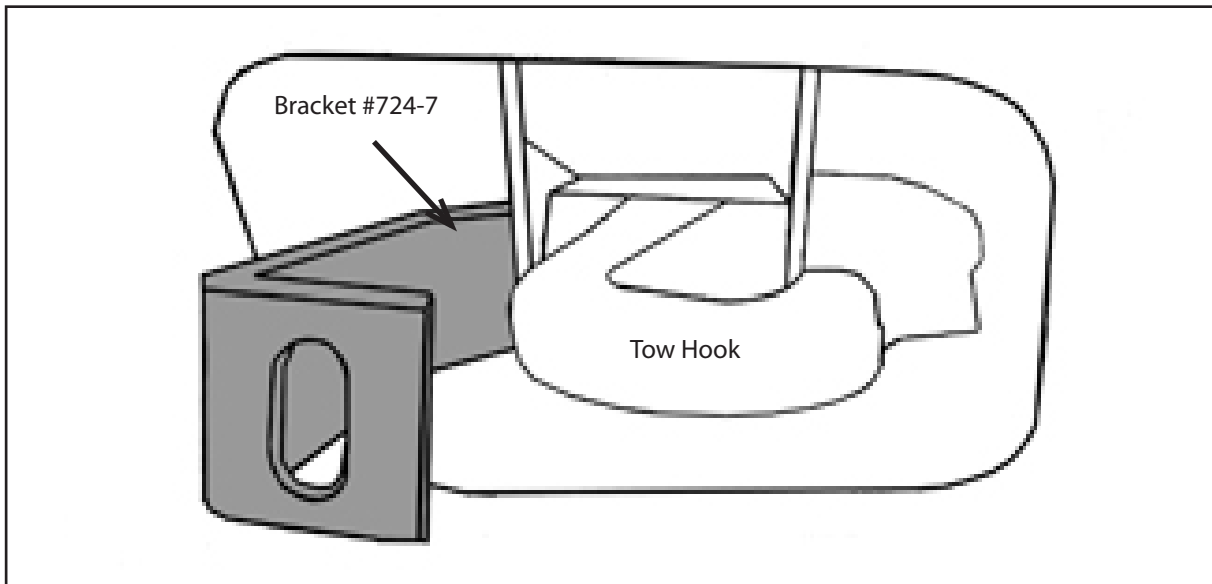


Diagram 4

4. Locate the Bottom Brackets #724-7 for installation at this time.
 - A. Vehicles with tow hooks: If the vehicle is equipped with tow hooks, locate the inside bolt on tow hook. Loosen the inside bolt and remove. Place flat end of Bottom Brackets #724-7 up to inside bolt opening and replace the factory bolt with (1) M12 x 50mm hex head bolt. Hand tighten all bolts at this time.
 - B. Vehicles without tow hooks: If your vehicle is not equipped with tow hooks, please call (800) 527-4345 for additional parts.
5. Re-install Factory Grille and Factory Radiator Cover. Align Factory grille with holes in vehicle, gently push Factory Grille until it clicks closed. Take radiator cover place over holes in vehicle. Replace pop rivets into vehicle.
6. Using two people align the Grille Guard holes to the top brackets. Attach the Grille to the top brackets using (1) 1/2" x 1 1/2" bolts, (2) 1/2" flat washers, (1) lock washer, and (1) nut per hole in upright. Hand tighten all bolts at this time.
7. Center the Grille Guard on the vehicle. Tighten all bolts at this time insuring the Grille Guard remains centered on vehicle.