

**Rancher Grille Guard
 Installation Instructions
 Dodge Ram 2500/3500 '06 - '09
 44663 / 45663 / 46663**

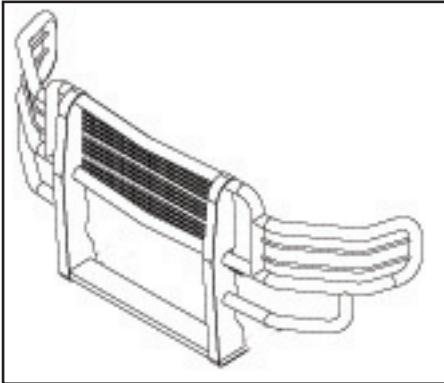


Diagram 1

****Will not fit Ram Sport or plastic bumpers**
****Will not fit Laramie edition******

Parts List:

- 1 - Rancher Grille Guard
- 1 - Driver Top Bracket #625
- 1 - Passenger Top Bracket #626
- 1 - Driver Bottom Bracket #627
- 1 - Passenger Bottom Bracket #628

Bolt Kit Contains:

- 8 - 1/2" x 1 1/4" Hex Head Bolts
- 8 - 1/2" Flat Washers
- 8 - 1/2" Lock Washers
- 8 - 1/2" Hex Nuts

1. Remove the contents from the box and check for damage. Verify all parts are present. Read the instructions completely before beginning. Two people are strongly recommended for this install.

View Behind Bumper (Driver Side)

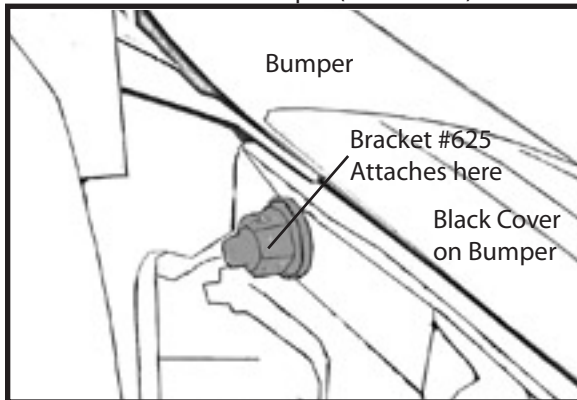


Diagram 2

Driver Side Top Bracket

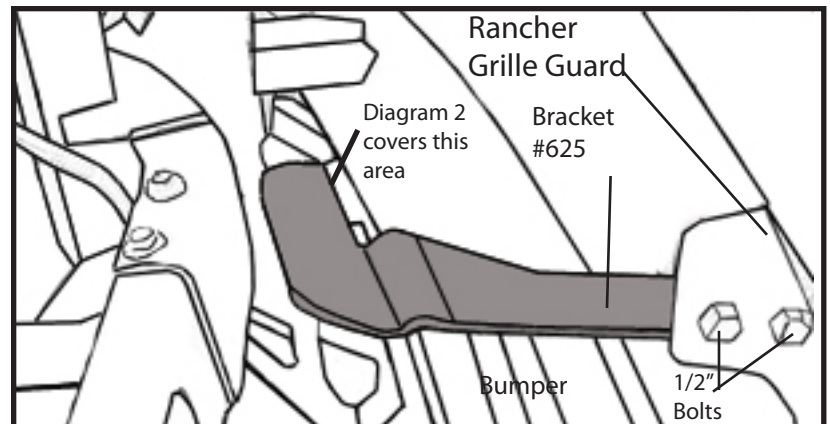


Diagram 3

2. Install the Driver Top Bracket #625 and Passenger Top Bracket #626: Open the hood on the truck. Using Diagram 2, locate the bumper bolt on each side of the vehicle. Remove the nut from the bolt. Locate the Driver and Passenger Top Brackets, #625 and #626.

A. Place Driver Top Bracket #625 onto bumper bolt. The end of the Driver Top Bracket #625 (Diagram 3) with the 90 degree bend should go onto bumper bolt. Replace nut and hand tighten at this time.

B. Repeat step "A" above for the passenger side using Top Bracket #626.

3. Attach the Grille Guard to the mounting brackets: Using two people align the bolt holes in the vertical uprights to the top brackets. Attach the Grille Guard to the top brackets using 1/2" x 1/14" hex head bolts, 1/2" flat washers (2), 1/2" lock washers and 1/2" hex nuts per welded tab. See Diagram 3. Hand tighten all bolts at this time.

Behind Bumper View of Passenger
Bottom Bracket #628

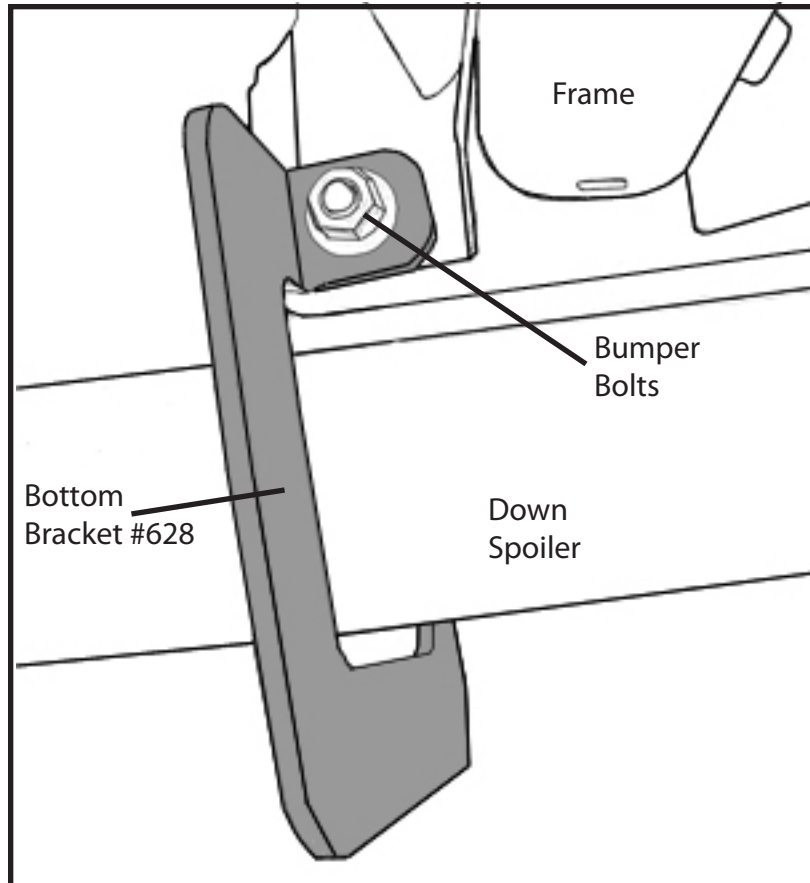


Diagram 4

4. Install the driver bottom bracket #627: Using Diagram 4, locate the factory bottom bumper bolt on the vehicle. Remove the factory nut from the factory bottom bumper bolt. Place bottom bracket #627 onto the factory bottom bumper bolt. Re-place the factory nut over the bottom bracket. Use a 1/2" x 1 1/4" hex head bolt, 1/2" flat washer and 1/2" lock washer to attach the bottom bracket #627 to the bottom 2 bolt holes on the Grille Guard. Repeat the procedure for the opposite side.

5. Center the Grille Guard on the vehicle. Tighten all bolts at this time insuring Grille Guard remains centered on vehicle.