

Rancher Grille Guard

Installation Instructions

45665 / 46665

Dodge Ram 4500/5500 '08 - '10

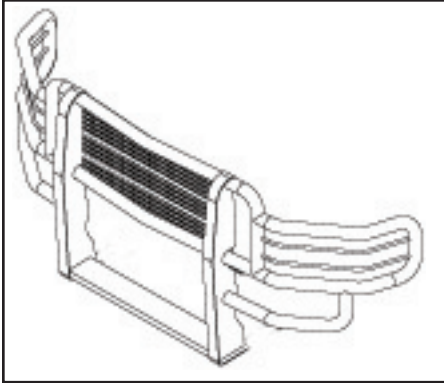


Diagram 1

Parts List:

1 - Rancher Grille Guard	4 - 1/2" Silver Flat Washers
1 - Driver Bottom Bracket #46665-7	6 - 1/2" x 1 1/4" Black HH Bolts
1 - Passenger Bottom Bracket #46665-8	6 - 1/2" Black Hex Nuts
2 - Top Bracket #46665-5	6 - 1/2" Lock Washers
2 - 5/8" X 1 1/4" HH Bolts	8 - 7/16" x 1 1/4" HH Bolts
2 - 5/8" Hex Nuts	8 - 7/16" Nylon Hex Nuts
2 - 5/8" Lock Washers	8 - 7/16" Flat Washers
2 - 1/2" x 1 1/4" HH Bolts	12 - 1/2" Black Flat Washers
2 - 1/2" Nylon Hex Nuts	
4 - 5/8" Flat Washers	

1. Remove the contents from the box and check for missing pieces or damage. If parts are missing or damaged, contact the original place of purchase. Read the instructions completely before beginning. Two people are strongly recommended for this install.

View of Driver Top Bracket #46665-5

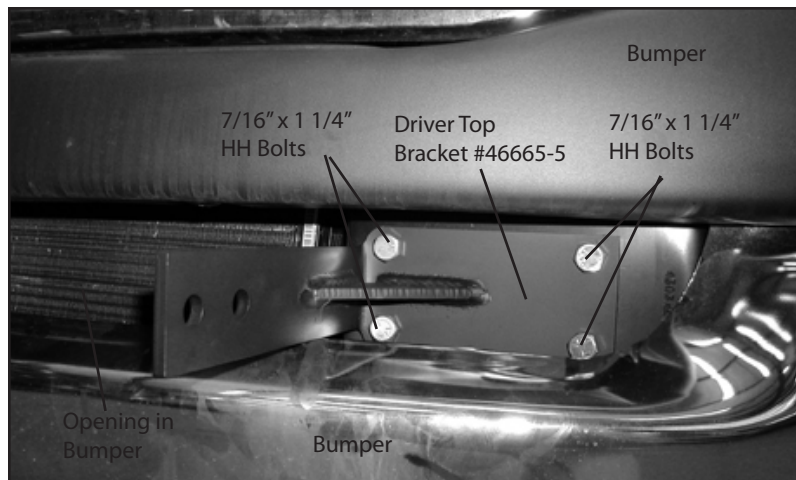


Diagram 2

2. Install the driver top bracket #46665-5: Using Diagram 2, locate the driver top bracket #46665-5. Place bracket into the opening in the bumper. Align the bracket with the 4 holes and put (4) 7/16" x 1 1/4" HH bolts into the bracket holes. Place (4) 7/16" flat washers onto bolts and (4) 7/16" nylon hex nuts. Hand tighten at this time.

A. Repeat the above procedure to install the passenger top bracket #46665-5.

420 N. Grove, Richardson, TX 75081
Tele: (800) 527 - 4345 Fax: (800) 442 - 5263
Web site: www.goindustries.com
E-mail: sales@goindustries.com

View of Driver Bottom Bracket #46665-7

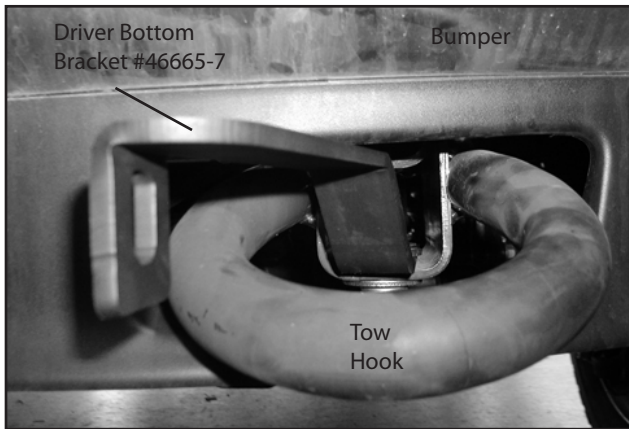


Diagram 3

View of Frame behind the Bumper

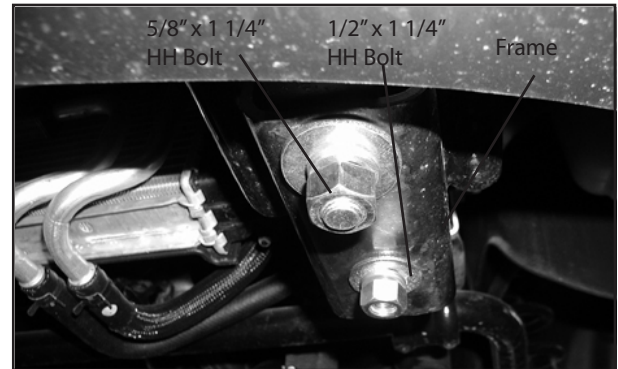


Diagram 4

3. Install the driver bottom bracket #46665-7: Using Diagram 3 and Diagram 4, locate the driver bottom bracket #46665-7. Place bracket into the tow hook opening to the frame. Align the holes on the bracket with the holes in the bottom of the frame. Place (1) 5/8" x 1 1/4" HH bolts with (1) 5/8" flat washers, through the bracket and frame. Place (1) 5/8" flat washers, (1) 5/8" hex nut onto the 5/8" x 1 1/4" HH bolt. Place (1) 1/2" x 1 1/4" HH bolt with (1) 1/2" flat washer through the bracket and frame. Place (1) 1/2" flat washer, (1) 1/2" nylon hex nut onto the 1/2" x 1 1/4" HH bolt. Hand tighten at this time.

A. Repeat the above procedure for the passenger bottom bracket #46665-8.

4. Install the Rancher Grille Guard to the brackets: Using two people place the Rancher Grille Guard up to the brackets. On the top brackets #46665-5 use (4) 1/2" x 1 1/4" black HH bolts with (1) 1/2" black flat washer per bolt. Place the 1/2" x 1 1/4" black HH bolt through the holes in the upright on the Rancher Grille Guard into the top bracket #46665-5. Place (1) 1/2" black flat washer, (1) 1/2" black hex nut onto each of the 1/2" x 1 1/4" black HH bolt. Hand tighten at this time. The bottom brackets #46665-7 use (2) 1/2" x 1 1/4" black HH bolts with (1) 1/2" black flat washer per bolt. Place the 1/2" x 1 1/4" black HH bolt through the upright into the bottom bracket #46665-7. Place (1) 1/2" black flat washer, (1) 1/2" black hex nut onto each of the 1/2" x 1 1/4" black HH bolts. Hand tighten at this time.

5. Center the Grille Guard on the vehicle. Tighten the brackets to the vehicle first, then tighten all bolts on the Rancher Grille Guard ensuring that the Rancher Grille Guard remains centered on the vehicle.