

**Rancher Grille Guard**  
 Installation Instructions  
**45670/ 46670**  
 Dodge Ram 4500/5500'11

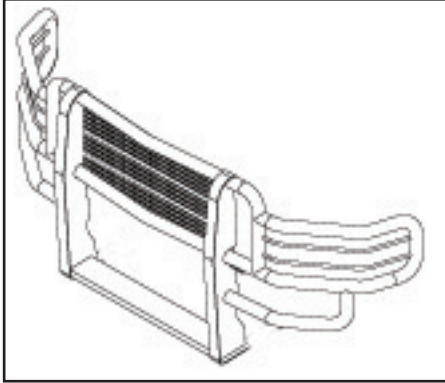


Diagram 1

**Parts List:**

1 - Rancher Grille Guard	6 - 1/2" Hex Nuts
1 - Driver Bracket #46669-5	8 - 7/16" Hex Lock Nuts
1 - Passenger Bracket #46669-6	8 - 7/16" x 1 1/2" HH Bolts
6 - 1/2" x 1 1/2" Hex Head Bolts	12 - 1/2" Flat Washers
6 - 1/2" Lock Washers	16 - 7/16" Flat Washers

1. Remove the contents from the box and check for missing pieces or damage. If parts are missing or damaged, contact the original place of purchase. Read the instructions completely before beginning. Two people are strongly recommended for this install.

**View of Driver Bracket #46669-5**



Diagram 2

2. Place driver bracket #46669-5 up to the 4 holes in the bumper. Place (1) 7/16" x 1 1/2" HH bolt with (1) 7/16" flat washer into the four holes. Place (1) 7/16" flat washer and (1) 7/16" hex lock nut onto the bolt, as shown in Diagram 2. Repeat procedure for all 4 bolts. Hand tighten at this time. Repeat the above procedure to install the passenger bracket #46669-6.

3. Install the Rancher Grille Guard to the brackets: Using two people place the Rancher Grille Guard up to the brackets installed on the truck. Use (6) 1/2" x 1 1/2" HH bolts with (1) 1/2" flat washer per bolt. Place the 1/2" x 1 1/2" HH bolt through the holes in the upright on the Rancher Grille Guard. Place (1) 1/2" flat washer, (1) 1/2" hex nut onto each of the 1/2" x 1 1/2" HH bolt. Hand tighten at this time.

4. Center the Grille Guard on the vehicle. Tighten the brackets to the vehicle first, then tighten all bolts on the Rancher Grille Guard ensuring that the Rancher Grille Guard remains centered on the vehicle.