

Rancher Grille Guard

Installation Instructions

44745 / 45745 / 46745

GMC Sierra 1500

'07 - '13

Some models without tow hooks, will require the plastic tow hook pocket to be trimmed for bracket clearance.

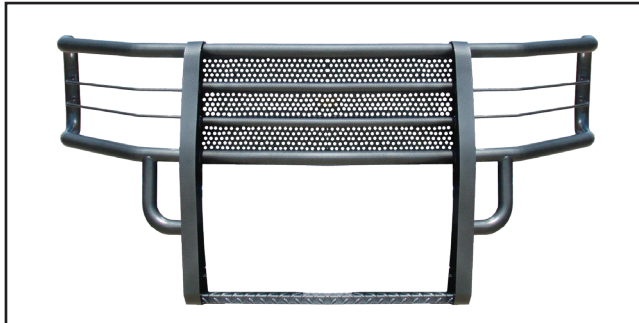


Diagram 1

Parts List:

1 - Rancher Grille Guard	18 - 1/2" Flat Washers
1 - Driver Top Bracket #46745-5	10 - 1/2" Lock Washers
1 - Pass. Top Bracket #46745-6	8 - 1/2" Nuts
2 - Bottom Brackets #46735-7	
2- Threaded plates #77699-9	
10 - 1/2" x 1 1/2" Bolts	*May include extra hardware.

Note: Completely read instructions before beginning installation!

1. Remove the contents from the box and check for missing pieces or damage. If parts are missing or damaged, contact the original place of purchase.
2. Open the hood on the truck. Using **Diagram 2**, locate the factory radiator cover. To remove the pop rivets, use a flat head screwdriver to pull up on the middle of the pop rivets. To remove the bottom part of pop rivet, place the screwdriver under the bottom and push up. Repeat this procedure to remove all pop rivets. Place the factory radiator cover and pop rivets to the side to be re-installed later.
3. Locate the top driver bracket #46745-5 for installation at this time. Remove the factory bumper bolt as shown in **Diagram 3**. Slide top bracket #46745-5 through factory grille as shown in **Diagrams 3 & 4**. Place the top bracket #46745-5 over the opening. Replace the factory bumper bolt through the top bracket and into the bolt hole opening. Repeat on the passenger side to install the passenger top bracket #46745-6. Do not fully tighten these bolts at this time.
4. Locate the bottom brackets #46735-7 for installation at this time. On the driver side remove the nut on the frame bolt that holds the tow hook in the frame. Refer to **Diagrams 5 & 6**. Place bracket up to bolt and replace nut. On passenger side the bolt will have to be removed. Place bracket onto bolt then replace through frame. Leave loose at this time. On vehicle with out tow hooks the threaded plates #77699-9 will need to be inserted into the frame. The brackets #46735-7 will then be placed on the outside of the frame and (1) 1/2" x 1/2" bolt with (1) 1/2" flat washer and (1) 1/2" lock washer threaded into the plates inserted in the frame. Some trucks with and without tow hooks may need the tow hook pocket cover and surrounding area removed or trimmed for bracket clearance. This does not apply to all vehicles.
5. Using two people align the grille guard holes to the top brackets and bottom brackets. Attach the grille guard to the brackets using (1) 1/2" x 1 1/2" bolts, (2) 1/2" flat washers, (1) 1/2" lock washer and (1) 1/2" nut per hole in upright. The brackets will attach to the inside face of the guards vertical uprights. Hand tighten all bolts at this time.
6. Center the Grille Guard on the vehicle. Tighten all bolts at this time insuring the grille guard remains centered on vehicle.
7. Place the radiator cover over the correct holes and replace pop rivets.

Rancher Grille Guard

Installation Instructions

44745 / 45745 / 46745

GMC Sierra 1500

'07 - '13

View of Factory Grille and Radiator Cover

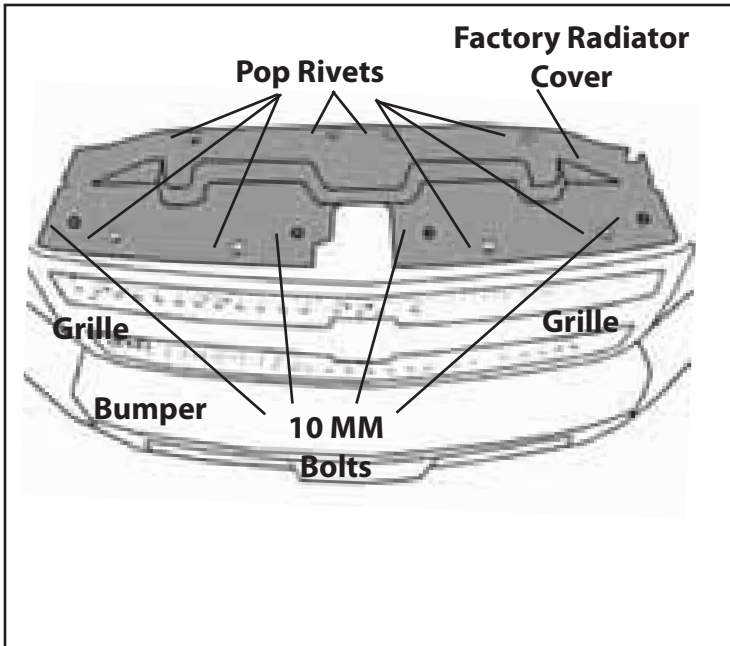


Diagram 2

Rear View of Top Driver Bracket #46745-5

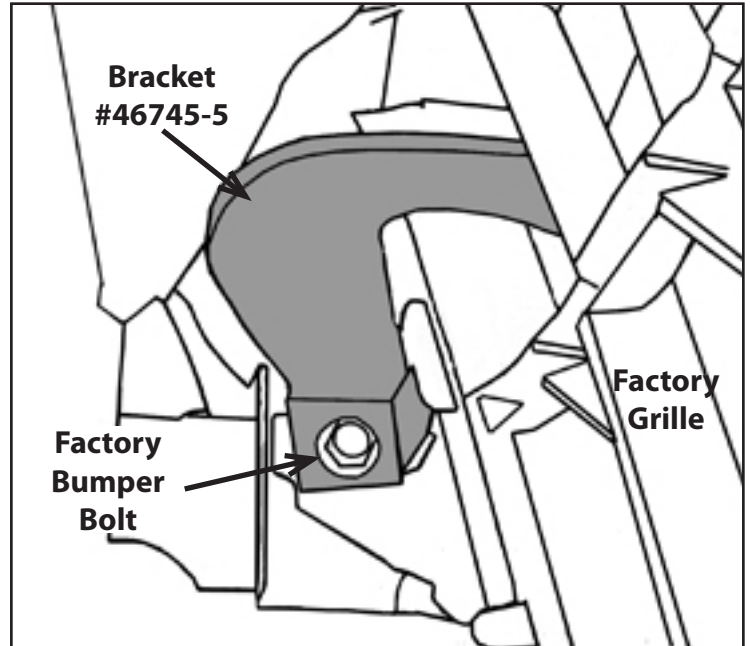


Diagram 3

Front View of Top Driver Bracket #46745-5

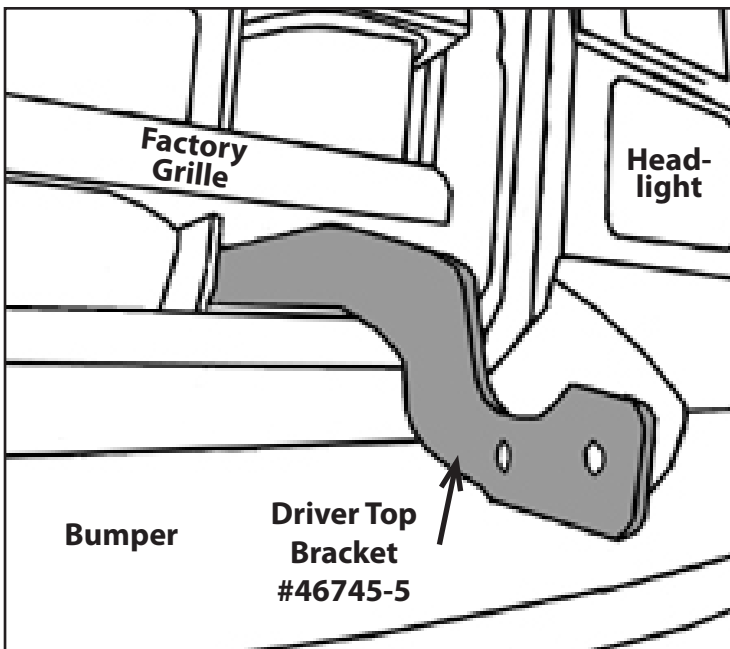


Diagram 4

**Bottom Bracket #46735-7
 Driver Side Front View**

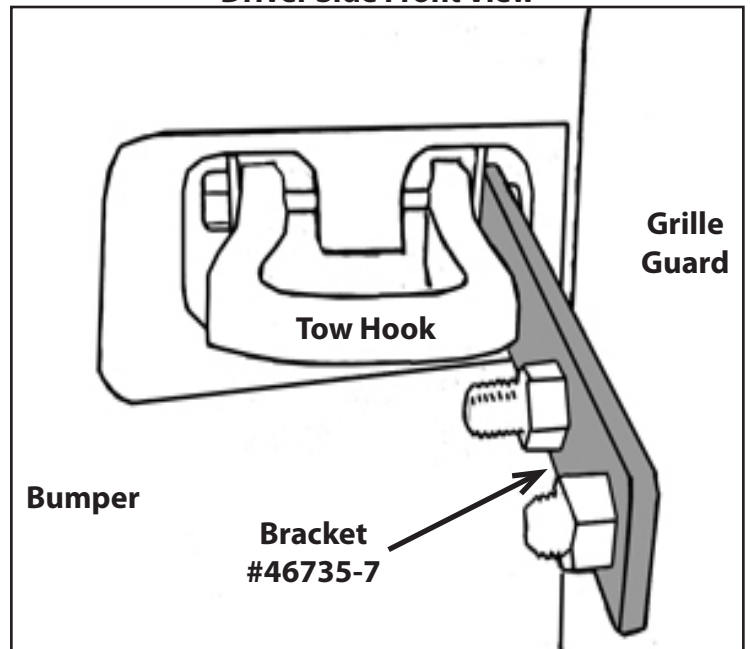


Diagram 5

Rancher Grille Guard

Installation Instructions

44745 / 45745 / 46745

GMC Sierra 1500

'07 - '13

Bottom Bracket #46735-7 Driver Side Behind Bumper

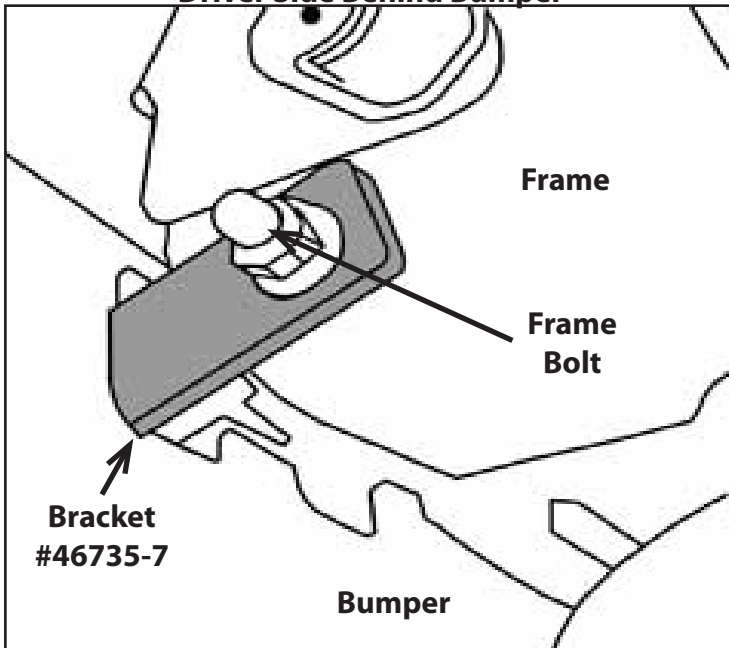


Diagram 6