

Rancher Grille Guard

Installation Instructions

44748 / 45748 / 46748

GMC Sierra 2500HD/3500

'07 - '11

Some models without tow hooks, will require the plastic tow hook pocket to be trimmed for bracket clearance.

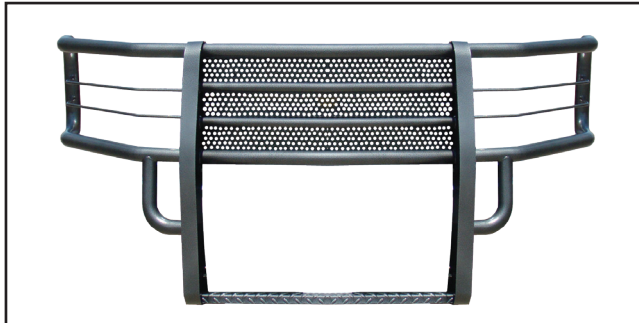


Diagram 1

Parts List:

1 - Rancher Grille Guard	10 - 1/2" x 1 1/2" Bolts
1 - Driver Top Bracket #46748-5	18 - 1/2" Flat Washers
1 - Pass. Top Bracket #46748-6	10 - 1/2" Lock Washers
1 - Driver Bottom Bracket #46748-7	8 - 1/2" Nuts
1 - Pass. Bottom Bracket #46748-8	
2- Threaded plates #77699-9	*May include extra hardware.

Note: Completely read instructions before beginning installation!

1. Remove the contents from the box and check for missing pieces or damage. If parts are missing or damaged, contact the original place of purchase.
2. Open the hood on the truck. Locate the factory radiator cover and the plastic rivets attaching the cover, using **Diagram 2**. The plastic rivets need to be removed by using a flat head screwdriver to pull up on the middle of the pop rivets. Remove the bottom part of pop rivet by placing a screwdriver under the bottom and push up. Repeat this procedure to remove all pop rivets. Do not remove factory grille.
3. Locate the top driver bracket #46748-5 and top passenger bracket #46748-6 for installation at this time. Remove the factory bumper bolt as shown in Diagram 3. Slide the top driver bracket #46748-5 gently through factory grille as shown in **Diagram 4**. Place the top driver bracket #46748-5 over the bolt hole opening. Replace the factory bumper bolt through the top bracket and into the bolt hole, shown in **Diagram 3**. Hand tighten this bolt at this time.
4. Locate the top passenger bracket #46748-6 and repeat step number 3 for the passenger side.
5. Locate the driver and passenger bottom brackets #46748-7 & #46748-8 for installation at this time. On the driver side remove the nut on the tow hook bolt referring to **Diagram 5**. Place the bracket #46748-7 up to bolt and replace nut, the bracket will be on the outside of the frame. The angle at the end of the bracket will be pointing down. On passenger bottom bracket #46748-8, the tow hook bolt will have to be removed. Place bracket onto the outside of the frame then replace bolt through frame and tow hook. Leave loose at this time. If the vehicle does not have factory tow hooks the tow hook substitute brackets #77699-9 will need to be used. The brackets #77699-9 will need to be slide inside the frame and (1) 1/2" x 1 1/2" bolt with (1) 1/2" lock washer and (1) 1/2" flat washer inserted through the lower brackets and then threaded into the #77699-9. Some trucks with and without tow hooks may need the tow hook pocket cover and surrounding area removed or trimmed for bracket clearance. This does not apply to all vehicles.
6. Using two people align the grille guard holes to the top brackets. Attach the grille to the top and bottom brackets using (1) 1/2" x 1 1/2" bolt, (2) 1/2" flat washers, (1) 1/2" lock washer and (1) 1/2" nut per hole in each upright. The top brackets will be mounted on the inside of the uprights and the lower brackets will mount to the outside of the uprights. On some applications the lower bracket will bump the side of the tow hooks, with the lower bracket loose on the frame the bracket should be attached to the grille guard. Once the lower brackets are tightened the bracket will bend slightly around the tow hook. Hand tighten all bolts at this time.
7. Center the grille guard on the vehicle. Tighten all bolts at this time insuring the grille guard remains centered on vehicle.
8. Locate radiator cover and plastic rivets removed on step one. Align radiator cover with rivet holes. Reinstall rivets into cover, which is reverse of step one.

Rancher Grille Guard

Installation Instructions

44748 / 45748 / 46748

GMC Sierra 2500HD/3500

'07 - '11

View of Factory Grille and Radiator Cover

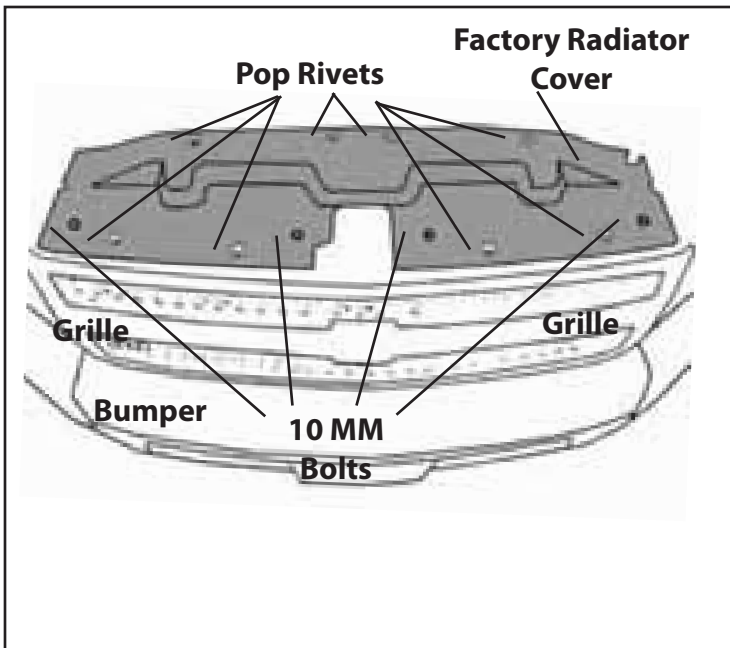


Diagram 2

Rear View of Top Driver Bracket #46748-5

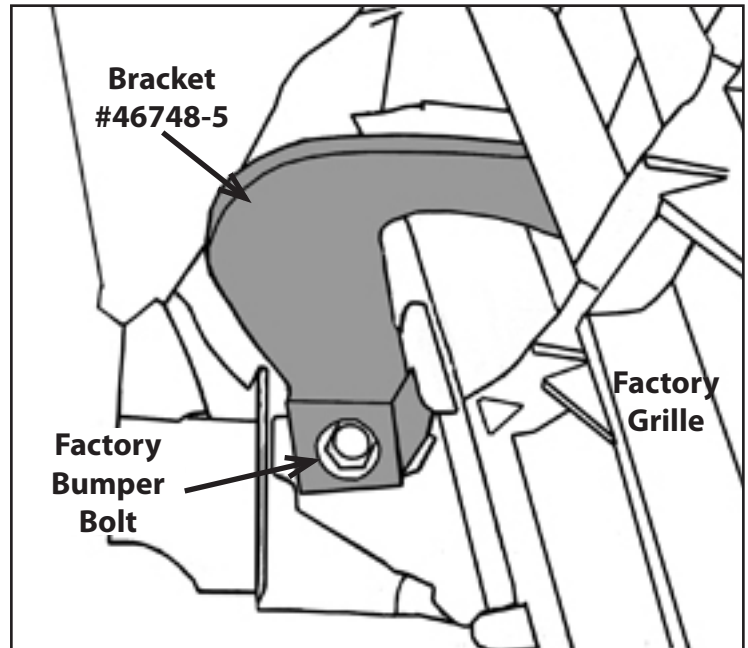


Diagram 3

Front View of Top Driver Bracket #46748-5

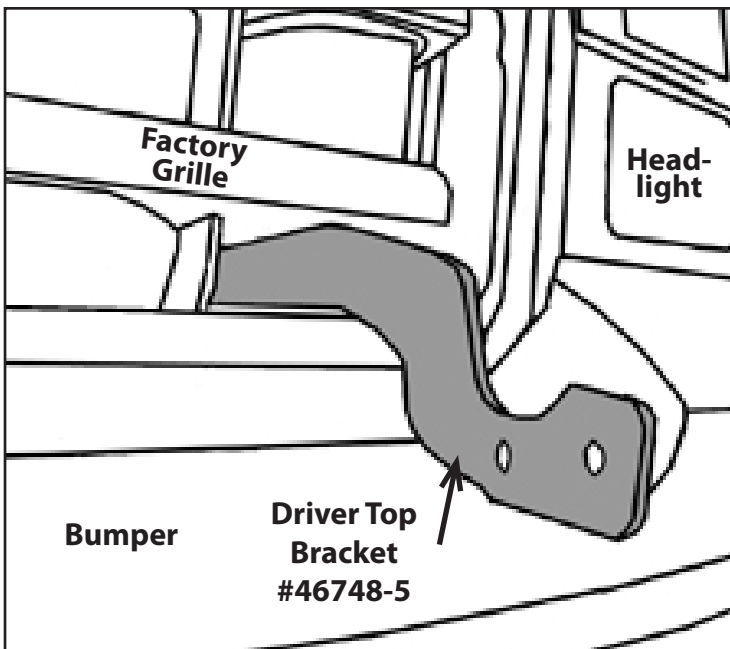


Diagram 4

Bottom Bracket #46748-7 Driver Side Behind Bumper

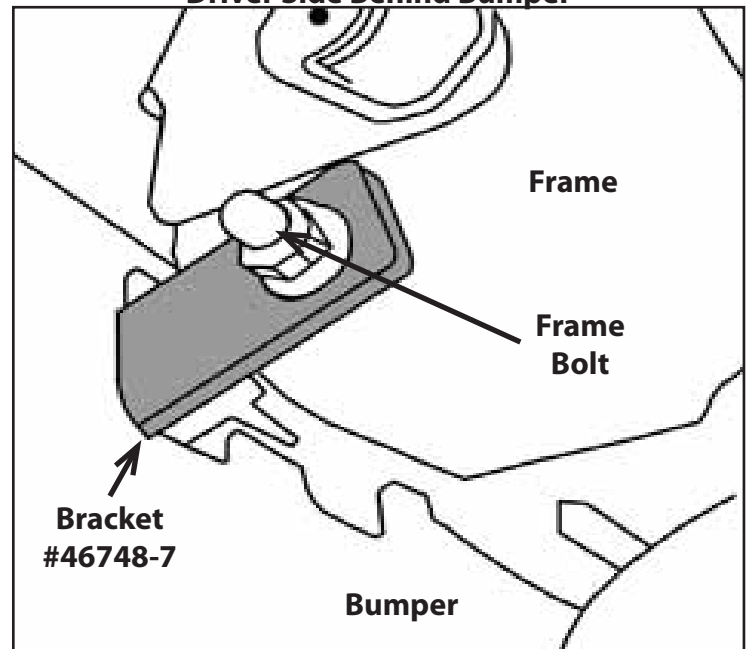


Diagram 5