

Rancher Front End Replacement Installation Instructions

57642

Ford Super Duty '08



Diagram 1

Parts List:

1 - Rancher Replacement Grille Guard	10 - 1/2" Lock Washers
1 - Driver Main Bracket #57642-9	10 - 1/2" Hex Nuts
1 - Passenger Main Bracket #57642-10	10 - 1/2" x 1 1/2" HH Bolts
2 - 1/4" x 1" HH Bolts	10 - 1/4" Lock Nuts
2 - Lights Brackets #57642-31	20 - 1/2" Flat Washers
8 - 1/4" x 1 1/2" Carriage bolts	

1. Remove the contents from the box and check for missing pieces or damage. If parts are missing or damaged, contact the original place of purchase. Read the instructions completely before beginning. Two people are strongly recommended for this install.
2. **Remove the bumper:** Using **Diagram 2**, remove the bolt from the outside bumper support. Do this on both driver and passenger side. Bolt will not be reused. Remove the bolt holding the hood latch lever, refer to **Diagram 3**. Unclasp the electrical line going to lights in the bumper if your vehicle is equipped with lights, refer to **Diagram 4**. Using **Diagram 5**, remove the 2 bumper bolts. Set bolts and nut plate aside it will be reused. Repeat this procedure for the passenger side. After all of these steps remove the bumper and set aside.

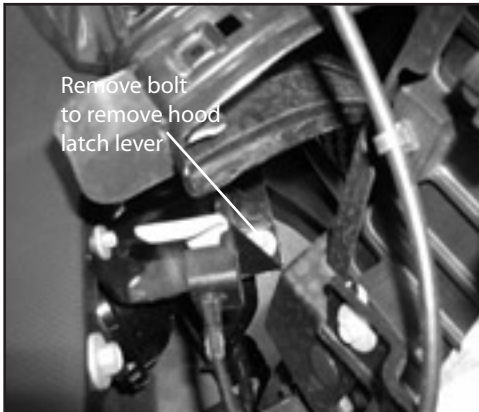


Diagram 3

View Behind Bumper Driver Side

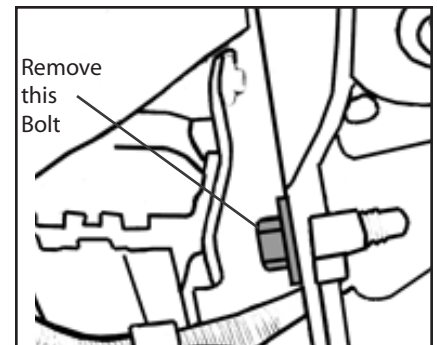


Diagram 2



Diagram 4

View of Driver Side Bumper

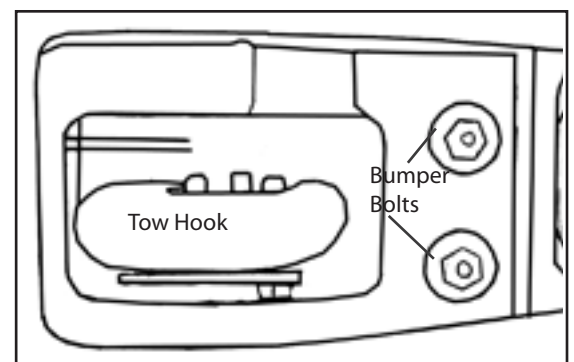


Diagram 5

View of Driver Main Bracket #57642-9

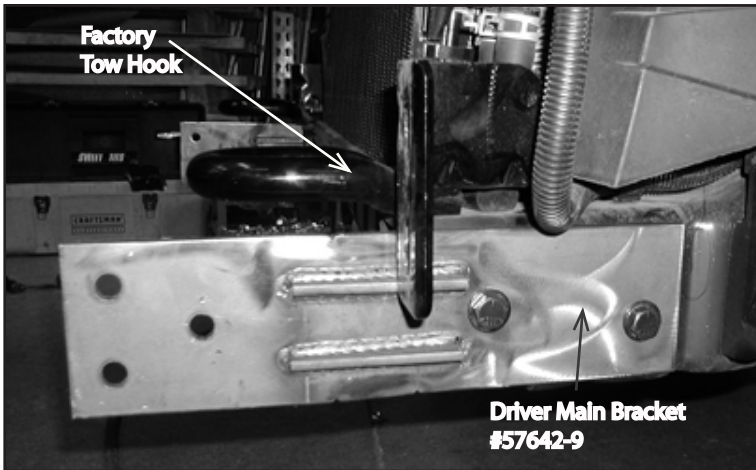


Diagram 6

View of Driver side Frame

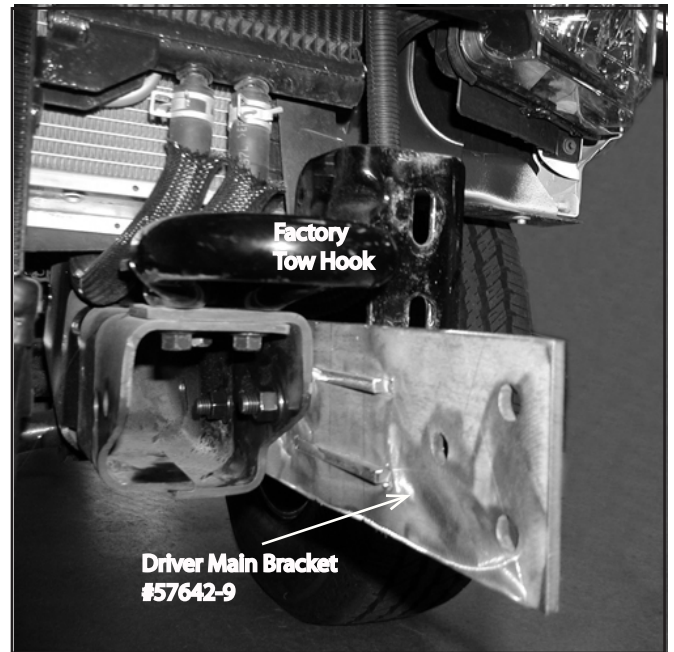


Diagram 7

3. Using **Diagram 6**, place driver main bracket #57642-9 onto the frame using (1) 1/2" x 1 1/2" HH bolt with (2) 1/2" flat washers, (1) 1/2" lock washer and (1) 1/2" hex nut. Do not tighten at this time. Repeat the above procedure for the passenger main bracket #57642-10

4. **For vehicles equipped with fog lights.**

Using the brackets supplied in the kit to reattach the fog lights to the Rancher Replacement. Attach the fog lights to the bracket with the three factory bolts. Place bracket up to the Rancher Replacement and reattach the bracket with (4) 1/4" x 1 1/2" carriage bolts. Place the 1/4" x 1 1/2" carriage bolt through the front of the Rancher Replacement through the bracket and place (1) 1/4" lock nuts onto each 1/4" x 1 1/2" carriage bolts.

5. Place the Rancher Replacement up the the brackets you installed in step 3. Using (3) 1/2" x 1 1/2" HH bolts with (1) 1/2" flat washer place 1/2" x 1 1/2" HH bolts through the Rancher Replacement and into the main brackets. Center the Rancher Replacement onto vehicle and tighten all bolts and nuts.