

Pro-Series Bumper Replacement
Installation Instructions
58751 & 58751W
Chevy Silverado 2500HD/3500 '11 - '13

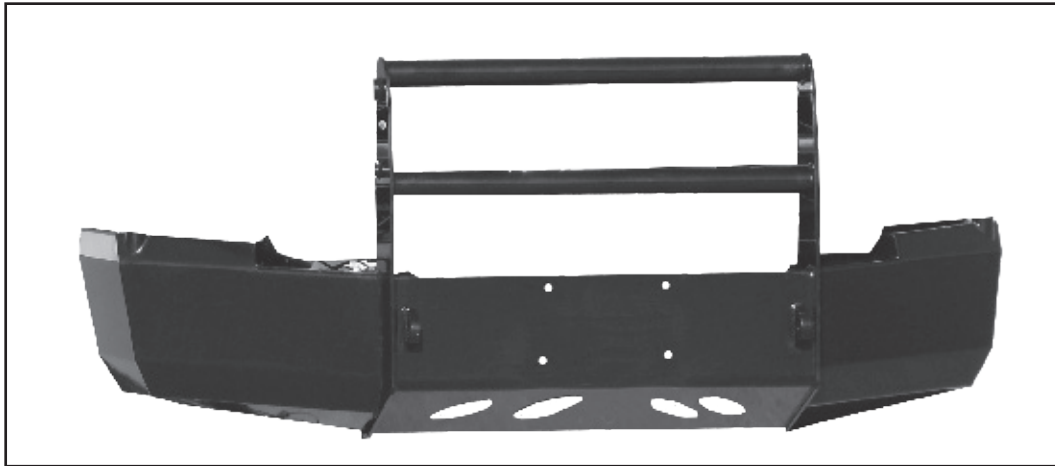


Diagram 1

Parts List:

1 - Pro-Series Bumper Replacement
2 - Brackets #59751-5
8 - 1/2" x 1 1/2" Bolts
16 - 1/2" Flat Washers
8 - 1/2" Lock Washers
8 - 1/2" Nuts

Note: Completely read instructions before beginning installation!

1. Remove the contents from the box and check for missing pieces or damage. If parts are missing or damaged, contact the original place of purchase.
2. Remove front grille and bumper from vehicle as shown in **Diagram #2**. The (2) factory double bolts, shown in **Diagram #3**, (2) factory long tow hook bolts and associated nuts will be reused.
3. Install brackets #59751-5 as pictured in **Diagrams #2 and #4**. Use the double bolts and long tow hook bolts with the nuts removed in step 2 for the installation of #59751-5 brackets.
4. Use two people to hold the bumper replacement up to mounting brackets. Align the four holes on the mounting brackets with the four holes on bumper replacement as shown in **Diagram #5**. Use (1) 1/2" x 1 1/2" bolt with (2) 1/2" flat washers, (1) 1/2" lock washer and (1) 1/2" nut per hole to attach the bumper replacement to the mounting brackets. It will require four bolts per side.
5. Reinstall factory grille.
6. Slowly tighten all bolts while holding the bumper replacement in position.
7. The plastic inner fender liners will need to be trimmed at installers discretion.

Pro-Series Bumper Replacement

Installation Instructions

59751 & 59751W

Chevy Silverado 2500HD/3500 '11 - '13

View of truck with Bumper Removed and Brackets #59751-5 Installed.

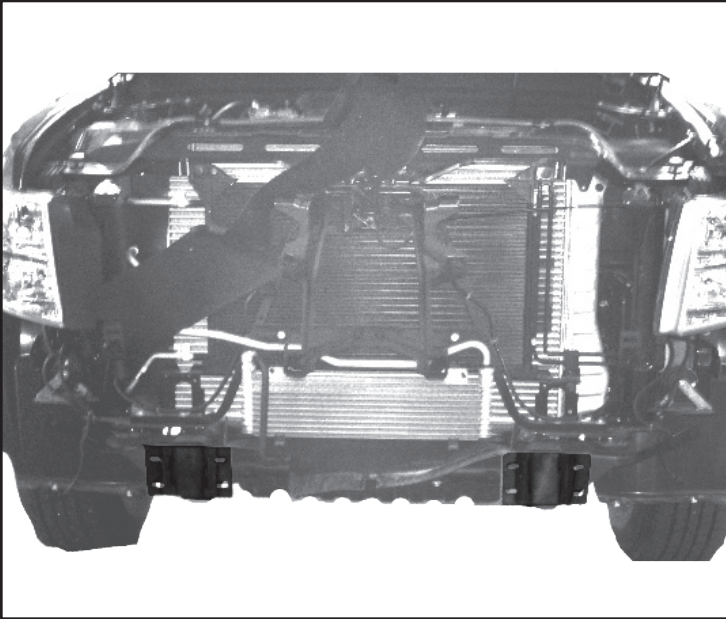


Diagram 2

View of Factory Double Bolt



Diagram 3

View of bracket #59751-5 installed (Passenger Side)

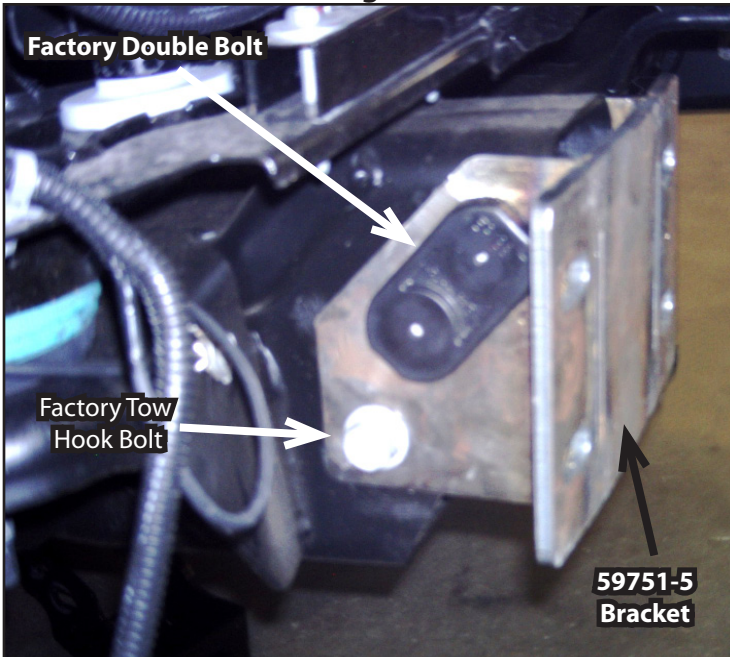


Diagram 4

View of Pro-Series Bumper Replacement Mounting Plates (Driver Side)



Diagram 5