



Manufacturer of Premium Products Since 1978

420 N. Grove, Richardson, TX 75081
Tele: (800) 527 - 4345 Fax: (800) 442 - 5263
Web site: www.goindustries.com
E-mail: gosupport@goindustries.com

Parts List:

2 - Mud Flaps 19"x24"
Custom heavy duty mounting brackets
19" x 3 1/2" weights
19" x 14" Stiffeners or anti-sail brackets
70730 will be flaps and brackets only

*May include extra hardware.

Dually Mud Flap Set

Installation Instructions

70730 SET, S70730SET, D70730SET, 70730

Ford super Duty Dually
'99 - '10

Note: Completely read instructions before beginning installation!

1. Remove the contents from the box and check for missing pieces or damage. If parts are missing or damaged, contact the original place of purchase.

Note: It is easier to drill the truck bed before mounting the flaps to the brackets

2. We recommend that you first take a look at the brackets and determine which fits on which side of the truck. The small ear or tab on the bracket faces toward the front of the truck and should be positioned inward against the pinch weld on the bottom of the pick-up bed. (**See Drawing A**) The long section of the bracket will be positioned flat against the plastic wheel well shield. The outer end of the bracket will rest on the outer edge of the urethane fender. (**DO NOT**, under any circumstances, fasten the bracket to the outer lip of the urethane fender. Doing so could cause excessive and expensive damage should the owner back over the flap.)

3 After determining the correct side, position the bracket and mark the point on the pinch weld where you will drill a 1/4" hole through the pinch weld. At the same time, locate the steel flange the plastic shield and mark on the shield where you will drill through the shield and through the steel flange. **NOTE: There is a slotted hole on the bracket which will closely line up with the flange. (See drawing A)** When positioning the bracket, be sure it is parallel to the ground. Drill a 1/4" hole through the shield and the flange.

4. Mount the mud flaps to the brackets by positioning the flaps toward the tires and on the front side of the brackets. We recommend the head of the bolts be against the plastic shield and the nuts and washers face the tires. (**See Drawing B**) This allows the greatest amount of clearance between the flaps and the tires.

5. After you have mounted the flaps to the brackets, reposition the brackets and secure them in place using the appropriate fasteners.

6. Repeat the above steps for the opposite side mud flap installation.

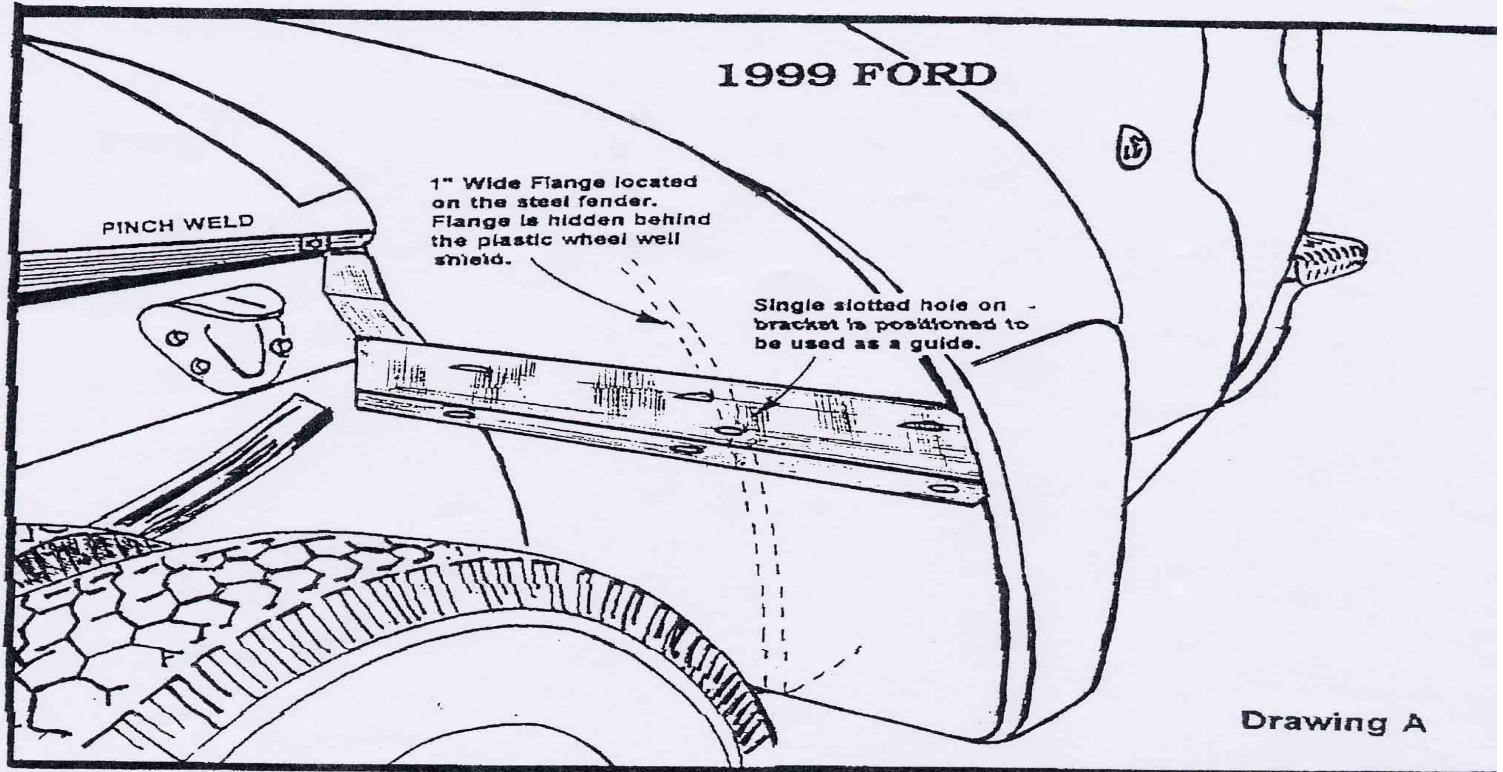
420 N. Grove, Richardson, TX 75081
 Tele: (800) 527 - 4345 Fax: (800) 442 - 5263
 Web site: www.goindustries.com
 E-mail: gosupport@goindustries.com

Dually Mud Flap Set

Installation Instructions

70730 SET, S70730 SET, D70730 SET, 70730

Ford Super Dually
 '99-'13



PART #70730B

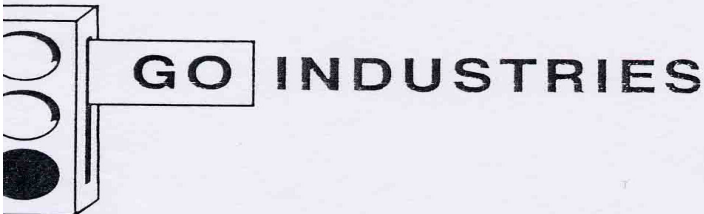
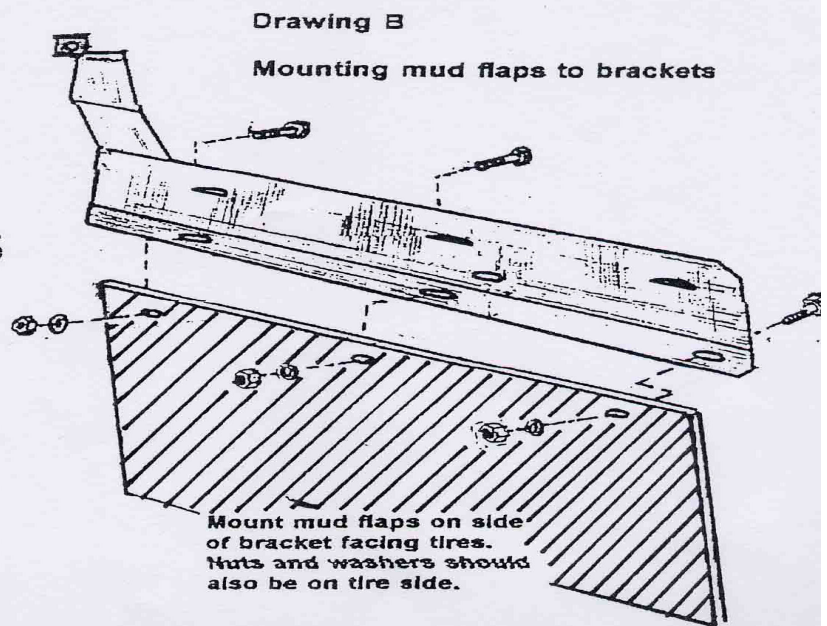


Diagram 2