

Mud Flaps

Installation Instructions

727 - 727SET - D727SET - S727SET

Chevy/GMC Dually '92 - '00

727 Contains:	727SET Contains:	D727SET Contains:	S727SET Contains:
2 - 727 Brackets	2 - 727 Brackets	2 - 727 Brackets	2 - 727 Brackets
2 - 727 Braces	2 - 727 Braces	2 - 727 Braces	2 - 727 Braces
2 - Mud Flaps	2 - Mud Flaps	2 - Mud Flaps	2 - Mud Flaps
2 - 70730 Bolt Kit	2 - 70730 Bolt Kit	2 - 70730 Bolt Kit	2 - 70730 Bolt Kit
1 - Mud Flap Kit	1 - Mud Flap Kit	1 - Mud Flap Bolt Kit	1 - Mud Flap Bolt Kit
	2 - Anti-Sails	2 - D719 Diamond Plate	2 - 719 SS Plate
	2 - 719 SS Plate	1 - 719 Bolt Kit	1 - 719 Bolt Kit
	2 - 719 Bolt Kit	2 - D718 Diamond Plate	2 - 718 SS Stiffener
		2 - 714 Rivet Kit	1 - 714 Rivet Kit

1. Remove the contents from the box and check for missing pieces or damage. If parts are missing or damaged, contact the original place of purchase. Read the instructions completely before beginning.

2. Install the 727 brackets and 727 brace: Using Diagram 1, place the 727 bracket up to the fender well on the vehicle. Line up the bracket with fender well as shown in Diagram 1. Remove the factory bolts, then place the 727 bracket up to hole and replace the factory bolt. Place the 727 brace up to factory bolt hole and replace the factory bolt. Use (1) 1/4" x 1" HH bolt with (2) 1/4" flat washer and (1) 1/4" hex nut to attach the 727 brace to the 727 bracket. Use the mud flap instructions to attach the mud flap to the brackets. Repeat the above procedure for the other side of the vehicle.

View of Driver Side Fender Well

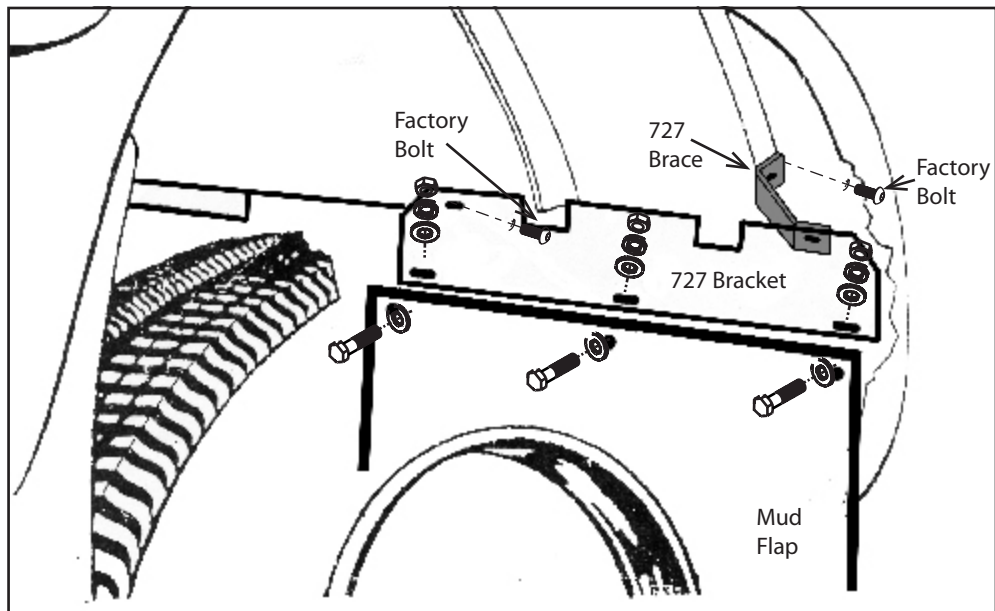


Diagram 1