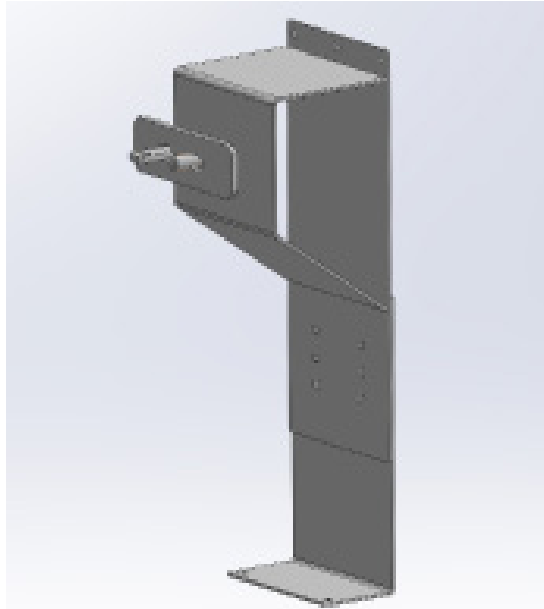


Spare Tire Mount / Relocator

Installation Instructions

7415
Universal



Parts List:

- (1) - Spare Tire Mount
- (1) - 7415KIT Hardware Kit

7415KIT

- (2) - 1/4" - 20 x 1 1/4" Carriage Bolts
- (3) - 1/4" - 20 x 1" Carriage Bolts
- (4) - 1/4" - 20 x 3/4" Carriage Bolts
- (9) - 1/4" Flat Washers
- (9) - 1/4" - 20 Nylon Lock Nuts

Extra hardware may be included

Note: Completely read instructions before beginning installation!

1. Remove the contents from the box and check for missing pieces or damage. If parts are missing or damaged, contact the original place of purchase.
2. Loosely assemble the two pieces of the tire mount using the (4) 1/4" - 20 x 3/4" carriage bolts with (4) 1/4" flat washers to go through the adjustable slots in the mount, followed by (1) 1/4" flat washer and (1) 1/4" - 20 nylon lock nut for each bolt.
3. Place the spare tire mount into the bed of the vehicle and adjust slides to fit bedside as shown in **Diagram 1**.
4. Line up the spare tire mount between the tailgate and inner fender well and mark the holes on top and bottom of the spare tire mount to drill.
****Make sure the area underneath the truck box is clear of electrical wires for the bottom 2 holes!****
5. Use a 1/8" drill bit to initially drill the marked holes, then use a 5/16" drill bit to enlarge them.
6. Place the (2) 1/4" - 20 x 1 1/4" carriage bolts through the lower spare tire mount and the hole that was drilled in the bed floor, then from below the truck, place (1) 1/4" flat washer and (1) 1/4" - 20 nylon lock nut on the threaded end of each mounting bolt.
7. Next place the (3) 1/4" - 20 x 1" carriage bolts through the upper spare tire mount and through the holes that were drilled in the top inner bed rails followed by (1) 1/4" flat washer and (1) 1/4" - 20 nylon lock nut for each bolt.
8. Tighten all hardware being careful not to over-tighten.
9. Remove the nut and plate from spare tire mount and place the spare tire up to the spare tire mount. Then, line up the bolt with a lug hole in the wheel and replace the lug nut and plate then tighten the bolt to snug.

Spare Tire Mount / Relocator

Installation Instructions

7415
Universal

View of Spare Tire Mount on Vehicle

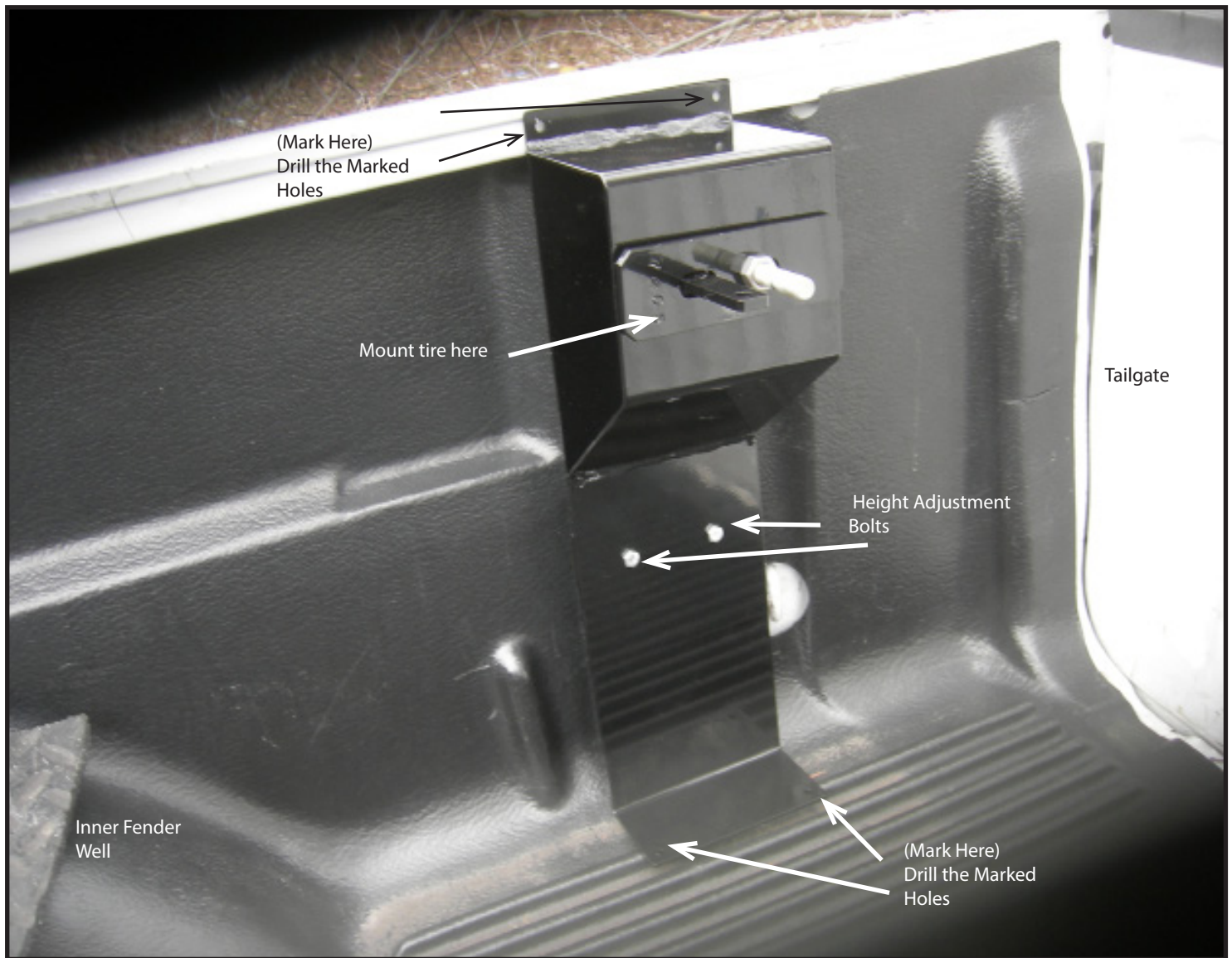


Diagram 1

Note: Re-check all hardware for proper tightness upon completion and periodically inspect hardware and parts for signs of wear throughout the life of the product.